

System 3.0

Ø40mm
Ø50mm
Ø64mm
(+ Ø80mm)

- Recessed Channel System
- Profile and no-profile options
- Multiple sizes and power options
- 90+ CRI with premium optics
- DALI, Phase and 0-10v options

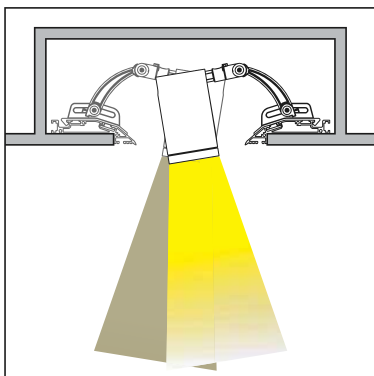


A continuous recessed Channel with agile and powerful LED Modules > this versatile system enables a mix of high-performance fixtures to be specified, giving the Designer complete flexibility for a multitude of interior environments > Residential, Retail and Commercial

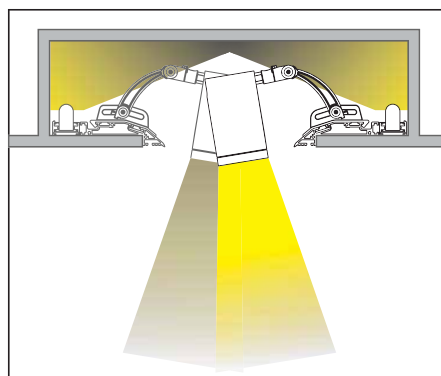
System 3.0 can be specified with a knife-edge Profile and 3 different LED Module options or without the Profile, for use with Gypsum/Panel, and 2 LED Module options > to suit all applications in budget.



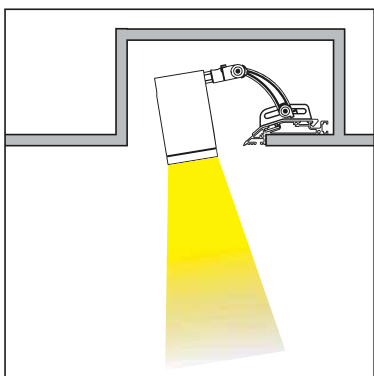
System 3.0 Configurations



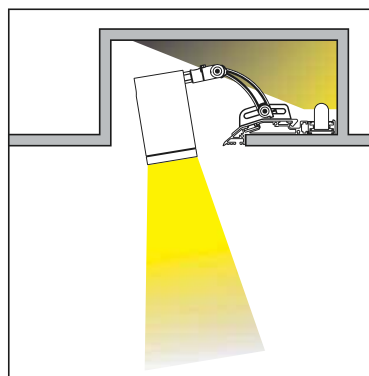
Double-channel >
Opposing Profiles with LED Modules



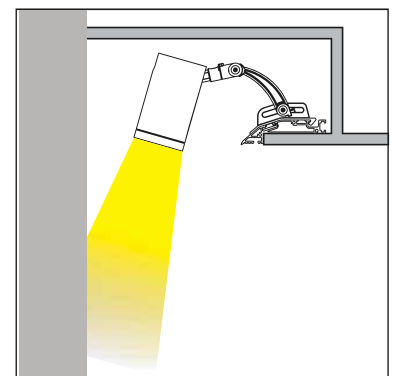
Double-channel >
Opposing Profiles with LED Modules + *Linear LED



Single-channel >
With LED Modules



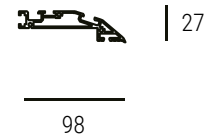
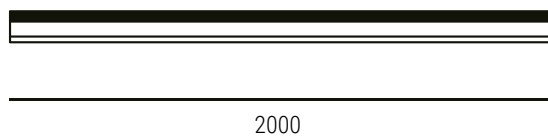
Single-channel >
With LED Modules + *Linear LED



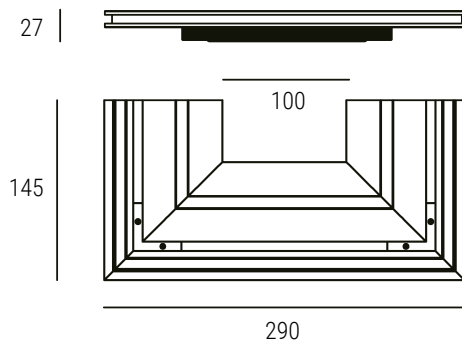
Single-channel >
With LED Modules for Wall Grazing / Art

*Linear LED > Contact us for details

Knife-edge Profile

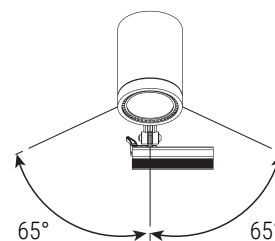
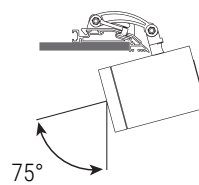
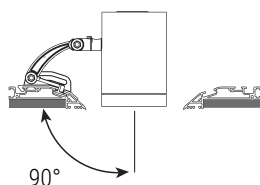
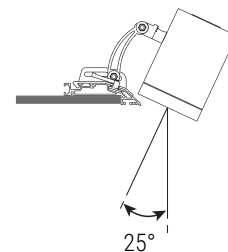
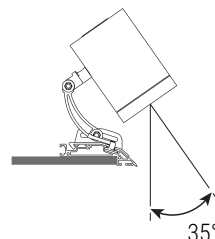
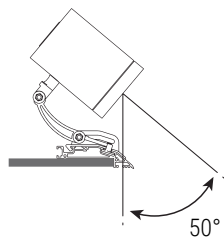


*Requires min 3mm plaster thickness

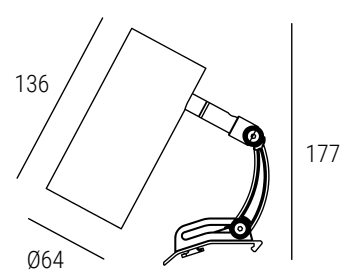
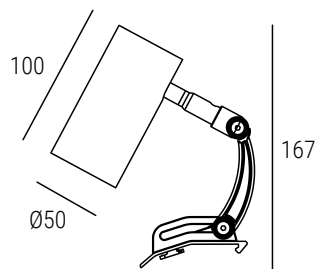
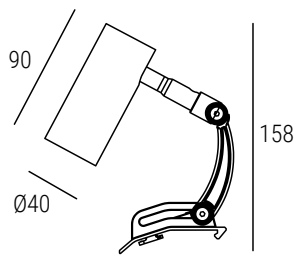


Knife-edge Profile	Finish
1. Knife-edge Profile (L: 2000mm)	White S3KEP.W.2000
	Black S3KEP.B.2000
2. Knife-edge Double-channel End Piece	White S3KEP.W.EP
	Black S3KEP.B.EP

LED Modules - Range of motion >



LED Modules (for Knife-edge Profile)



LED Module_KEP (90+ CRI)	Finish	Beam Angle(s)	Power (W)	Lumens (@ 3000k)
1. LED Module Small	White S3LM.KEP.W.S	18°/23°/35°	6.4w	595 lm
	Black S3LM.KEP.B.S			
2. LED Module Medium	White S3LM.KEP.W.M	12°/20°/35°	12.8w	1304 lm
	Black S3LM.KEP.B.M			
3. LED Module Large	White S3LM.KEP.W.L	17°/24°/36°	24.1w	3032 lm
	Black S3LM.KEP.B.L			

*Order Code Suffix on Page 108

Add-ons > add as suffix to Finish (eg. S3LM.KEP.W.S.HC)



Honeycomb Filter / **.HC**



Asymmetrical Snoot / **.AS**

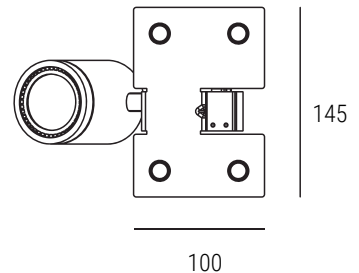
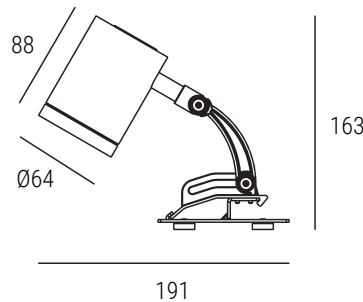
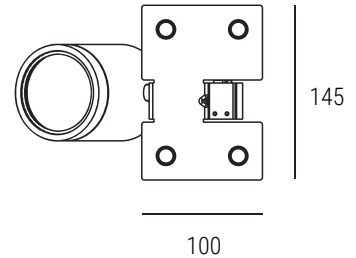
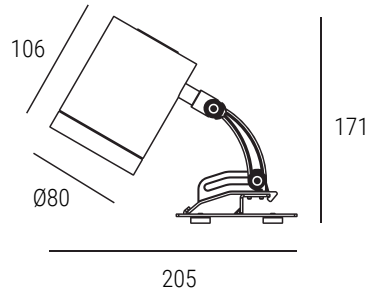


Extended Snoot / **.ES**



Frosted Lens / **.FL**

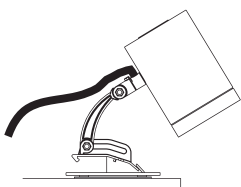
LED Modules (*with Magnetic Base / for use without Knife-edge Profile)



LED Module_MB (90+ CRI)	Finish	Beam Angle(s)	Power (W)	Lumens (@ 3000k)
1. LED Module Ø80	White S3LM.MB80.W	12°/24°/40°	25.5w	2670 lm
	Black S3LM.MB80.B			
2. LED Module Ø64	White S3LM.MB64.W	20°/40°	12.8w	1387 lm
	Black S3LM.MB64.B			

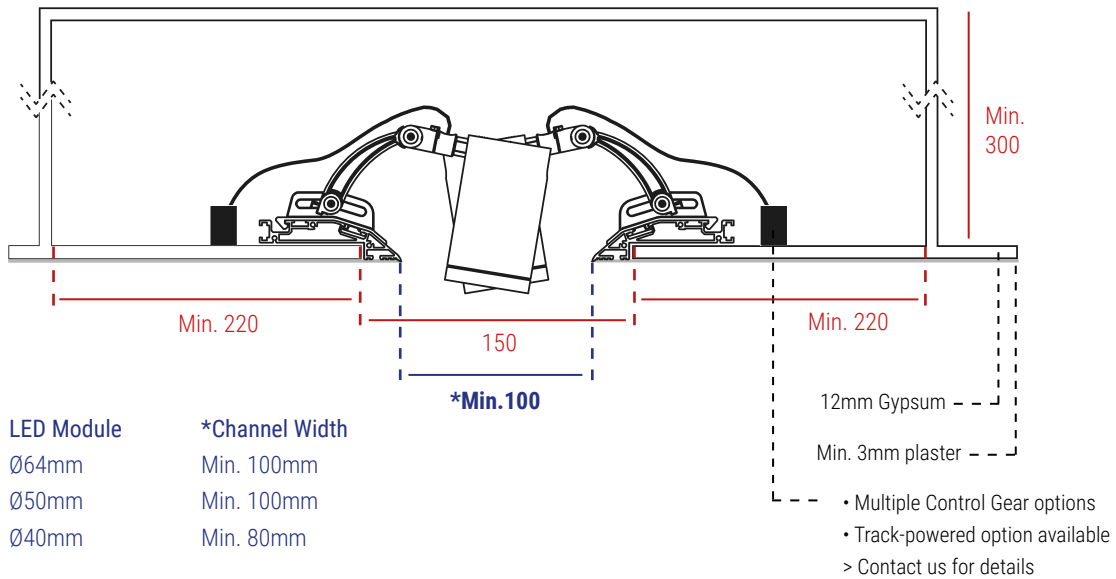
*Order Code Suffix on Page 108

***No Add-ons available for LED Modules_MB**

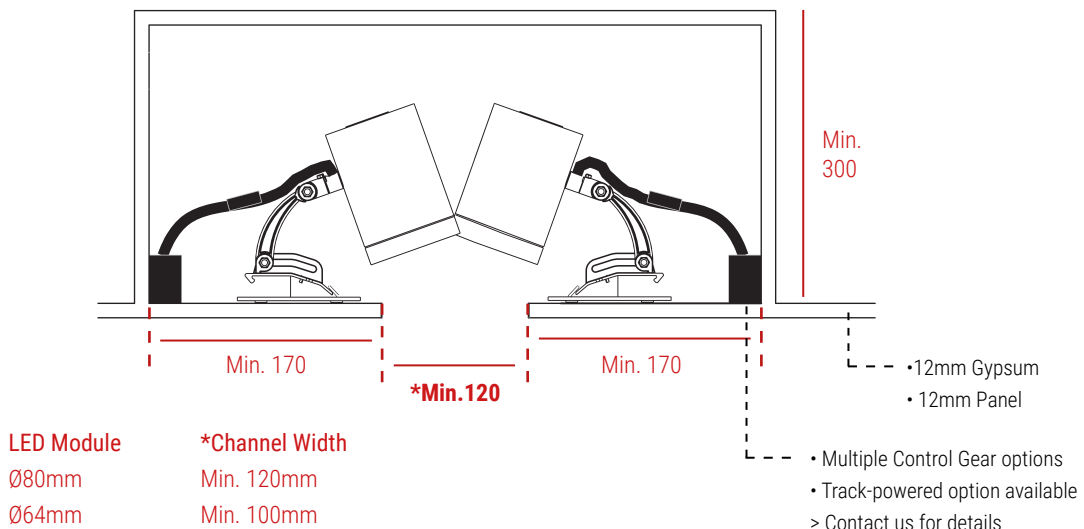


--- ***MAGNETIC BASE MUST BE MOUNTED ON A STEEL PLATE, min. width 100mm** - not supplied by AKC Lighting

Section drawing > Knife-edge Profile



Section drawing > Magnetic Base



Technical support for layouts:

Please send us your Ceiling Plans / Wall Elevations and we will gladly assist your Project requirements, to ensure the correct specs for your design intent within your specified budget. Contact us for further details.

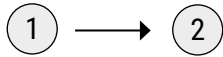
Samples can be provided on request > charges apply.

Specifications subject to change without prior notice. Contact us for Track-powered and Linear LED options

System 3.0 LED Modules > Order Code Suffix

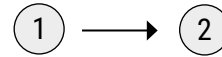
*LED Modules_KEP

LED Module Small



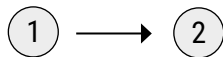
Finish	LED COB	
	3000k / 18° beam	.930.18
	3000k / 23° beam	.930.23
	3000k / 35° beam	.930.35
	4000k / 18° beam	.940.18
	4000k / 23° beam	.940.23
	4000k / 35° beam	.940.35

LED Module Medium



Finish	LED COB	
	3000k / 12° beam	.930.12
	3000k / 20° beam	.930.20
	3000k / 35° beam	.930.35
	4000k / 12° beam	.940.12
	4000k / 20° beam	.940.20
	4000k / 35° beam	.940.35

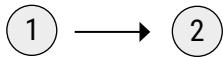
LED Module Large



Finish	LED COB	
	3000k / 17° beam	.930.17
	3000k / 24° beam	.930.24
	3000k / 36° beam	.930.36
	4000k / 17° beam	.940.17
	4000k / 24° beam	.940.24
	4000k / 36° beam	.940.36

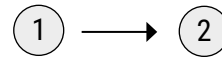
LED Modules_MB

LED Module Ø64



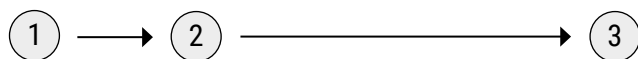
Finish	LED COB	
	3000k / 20° beam	.930.20
	3000k / 40° beam	.930.40
	4000k / 20° beam	.940.20
	4000k / 40° beam	.940.40

LED Module Ø80



Finish	LED COB	
	3000k / 12° beam	.930.12
	3000k / 24° beam	.930.24
	3000k / 40° beam	.930.40
	4000k / 12° beam	.940.12
	4000k / 24° beam	.940.24
	4000k / 40° beam	.940.40

Order Code >



Finish	LED COB	Control Gear
		Phase-cut .P
		1-10v .A
		DALI .D
		Switching .S
		*None .N

Ordering Info > LED Modules_KEP

1. Example: [S3LM.KEP.W.S.HC.930.18.P](#)
2. *None: Where Control Gear is not required standard warranty terms will not apply (see warranty document)

Ordering Info > LED Modules_MB

1. Example: [S3LM.MB64.W.930.20.P](#)
2. *None: Where Control Gear is not required standard warranty terms will not apply (see warranty document)



*LED Modules_KEP