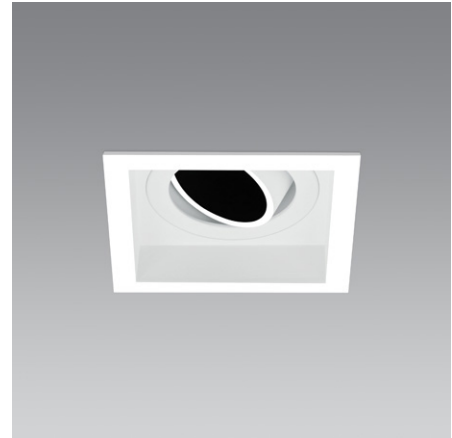


General

| | |
|----------------|--------------------------------------|
| Type | Adjustable Downlight |
| Mounting | Ceiling Recessed |
| IP-Rating | IP20 |
| Construction | Diecast Aluminium |
| Operating Temp | -10°c to +40°c |
| Protection | Class 2 |
| Certification | CE (EN 60598-1) |
| Warranty | 5 years (refer to warranty document) |



LED Engine

| | |
|-----------------|----------------------------------|
| Power Output | 8.9w |
| CCT | 2700k 3000k 4000k |
| *Lumen Output | 960 lm 960 lm 1072 lm |
| CRI | 80 (90 on request) |
| Optics | 12° / 24° / 38° (60° on request) |
| Lifetime | 50,000h (B80, L10) |
| Control Gear | Remote Driver |
| Drive Current | 500mA (max) |
| Forward Voltage | 17.8v |

Specification

Order Code:



1 Finish

| | |
|-------|--------------|
| White | A347W |
| Black | A347B |

2 LED Engine

| | |
|------------------|----------------|
| 2700k / 12° beam | .827.12 |
| 2700k / 24° beam | .827.24 |
| 2700k / 38° beam | .827.38 |
| 3000k / 12° beam | .830.12 |
| 3000k / 24° beam | .830.24 |
| 3000k / 38° beam | .830.38 |
| 4000k / 12° beam | .840.12 |
| 4000k / 24° beam | .840.24 |
| 4000k / 38° beam | .840.38 |

Lamp

| | |
|------------------|------------|
| GU10 / not incl. | .10 |
| MR16 / not incl. | .16 |

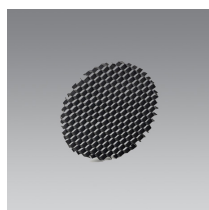
3 Control Gear (LED Engine only)

| | |
|-----------|-----------|
| Phase-cut | .P |
| 1-10v | .A |
| DALI | .D |
| Switching | .S |
| *None | .N |

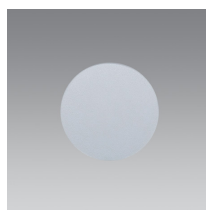
Ordering Info:

1. LED Engine example: **A347W.827.38.P**
2. Lamp example: **A347B.10**
3. Lamps: not included as standard but can be supplied on request - contact us for details
4. *None: Where Control Gear is not required standard warranty terms will not apply (see warranty document)
5. Add-ons: Include Add-on Code(s) after Order Code - more than one Add-on can be specified

Add-ons

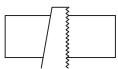
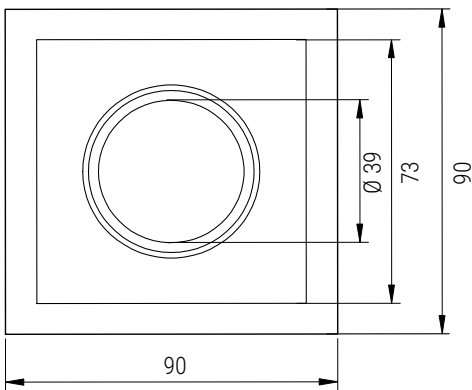
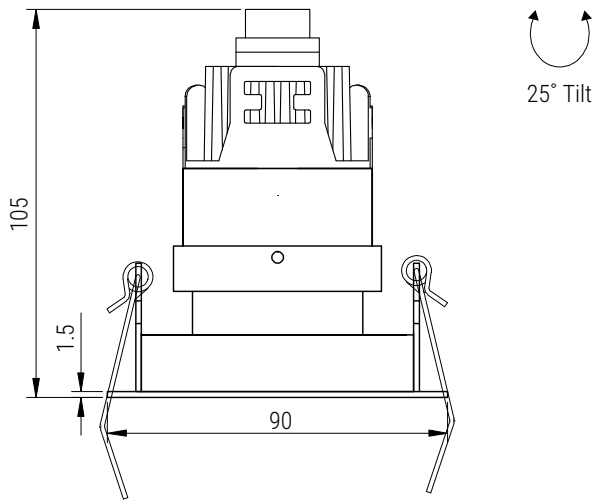


Honeycomb Filter / **.HC**



Frosted Lens / **.FL**

Technical Drawings (mm)



Cut-out = 80 x 80

LED Notes

- 1.*Lumen Output - for fixtures with a recessed baffle / snoot / frosted lens the lumen output may be lower than the stated figures - contact us for the latest .ies file(s) to ensure accuracy of data
2. LED Engine / LED COB use only 3-step MacAdam Ellipse LEDs, tested @ 25°C
3. Control Gear (by others) is subject to both specification and availability
4. LED Engine / LED COB - Lumen output is $\pm 7\%$ / CCT tolerance is $\pm 150k$
5. Operating Voltage: 220 - 240v, 50/60 Hz
6. Subject to technical changes without notice

Fixture Notes

1. GU10/MR16 Lamps - Fixture height may vary according to the sizes stated by the respective Lamp manufacturer
2. Technical Drawings - tolerance of $\pm 1mm$ applies to all stated dimensions
3. Suitable for Plasterboard Ceilings (thickness: 9mm - 30mm), unless stated otherwise
4. Custom RAL finishes are available on request (may be subject to MOQ)
5. Standard finishes are Powder-coated White (RAL 9003) and Black (RAL 9005)
6. For Panel (MDF, etc) and Concrete applications pls contact us with details of the Project requirements