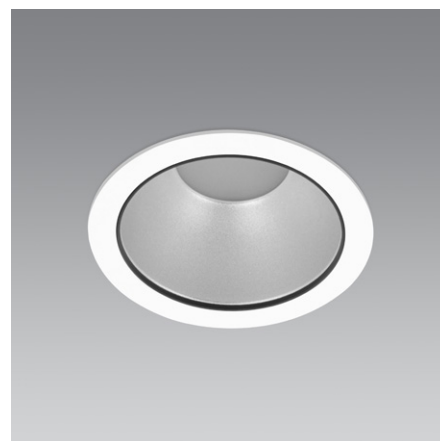


## General

Type	Fixed Downlight
Mounting	Ceiling Recessed
IP-Rating	IP54
Construction	Diecast Aluminium
Operating Temp	-10°c to +40°c
Protection	Class 2
Certification	CE (EN 60598-1)
Warranty	5 years (refer to warranty document)



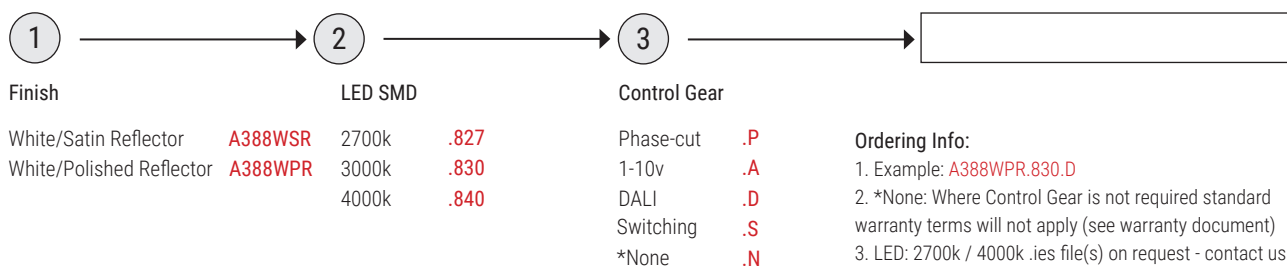
## LED SMD @ 3000k

Power Output	12.8w
Beam	80° (PC diffuser)
*Lumen Output	1750 lm (A388WPR)
CRI	80 (90 on request)
Lifetime	50,000h (B80, L10)
Control Gear	Remote Driver
Drive Current	700mA
Forward Voltage	18v (min 15v)

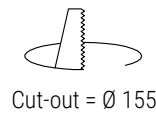
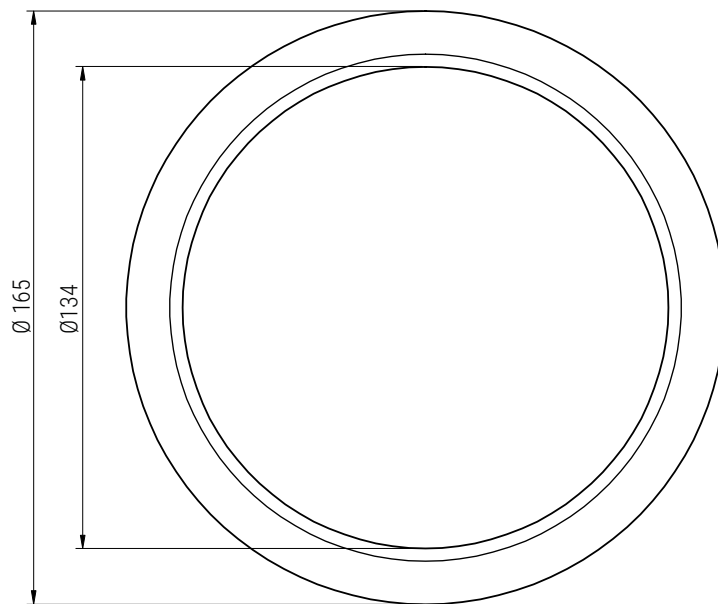
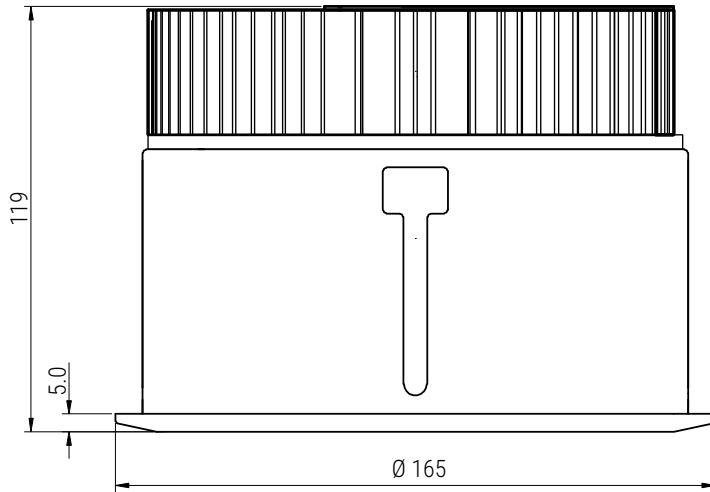
2700k / 4000k - data on request

## Specification

Order Code:



Technical Drawings (mm)



**LED Notes**

1. \*Lumen Output - for fixtures with a recessed baffle / snoot / frosted lens the lumen output may be lower than the stated figures - contact us for the latest .ies file(s) to ensure accuracy of data
2. LED Engine / LED COB use only 3-step MacAdam Ellipse LEDs, tested @ 25°C
3. Control Gear (by others) is subject to both specification and availability
4. LED Engine / LED COB - Lumen output is ±7% / CCT tolerance is ±150k
5. Operating Voltage: 220 - 240v, 50/60 Hz
6. Subject to technical changes without notice

**Fixture Notes**

1. GU10/MR16 Lamps - Fixture height may vary according to the sizes stated by the respective Lamp manufacturer
2. Technical Drawings - tolerance of ± 1mm applies to all stated dimensions
3. Suitable for Plasterboard Ceilings (thickness: 9mm - 30mm), unless stated otherwise
4. Custom RAL finishes are available on request (may be subject to MOQ)
5. Standard finishes are Powder-coated White (RAL 9003) and Black (RAL 9005)
6. For Panel (MDF, etc) and Concrete applications pls contact us with details of the Project requirements