

General

| | |
|----------------|--------------------------------------|
| Type | Fixed Downlight |
| Mounting | Ceiling Recessed |
| IP-Rating | IP54 |
| Construction | Diecast Aluminium |
| Operating Temp | -10°c to +40°c |
| Protection | Class 2 |
| Certification | CE (EN 60598-1) |
| Warranty | 5 years (refer to warranty document) |



LED SMD @ 3000k

| | | | |
|-----------------|--------------------|-----------------|--------------------|
| Power Output | 7.1w | Power Output | 10.3w |
| Beam | 80° (PC diffuser) | Beam | 80° (PC diffuser) |
| *Lumen Output | 1040 lm (A387WPR) | *Lumen Output | 1456 lm (A387WPR) |
| CRI | 80 (90 on request) | CRI | 80 (90 on request) |
| Lifetime | 50,000h (B80, L10) | Lifetime | 50,000h (B80, L10) |
| Control Gear | Remote Driver | Control Gear | Remote Driver |
| Drive Current | 500mA | Drive Current | 700mA (max) |
| Forward Voltage | 18v (min 15v) | Forward Voltage | 18v (min 15v) |

2700k / 4000k - data on request

Specification

Order Code:

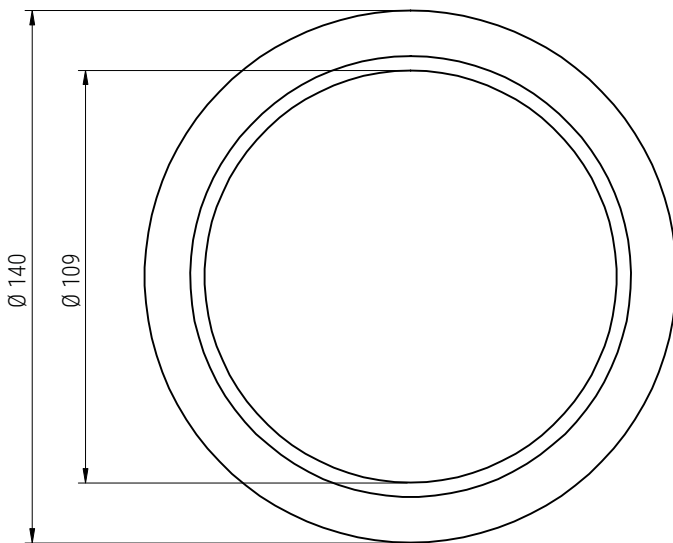
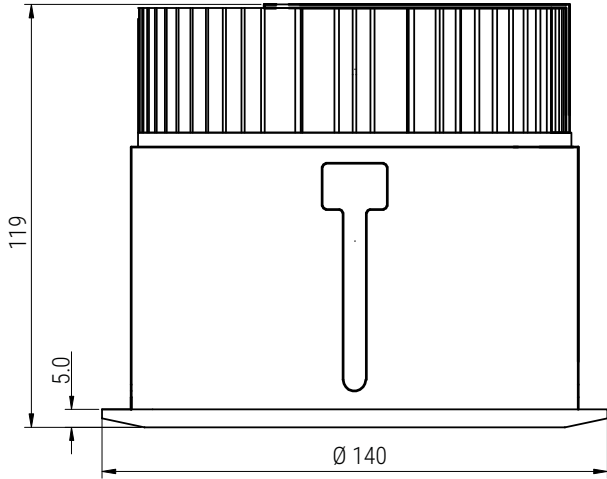


| Finish | | LED SMD | | Control Gear |
|--------------------------|----------------|---------|-------------|---------------------|
| White/Satin Reflector | A387WSR | 2700k | .827 | Phase-cut .P |
| White/Polished Reflector | A387WPR | 3000k | .830 | 1-10v .A |
| | | 4000k | .840 | DALI .D |
| | | | | Switching .S |
| | | | | *None .N |

Ordering Info:

1. Example: **A387WPR.830.D**
2. *None: Where Control Gear is not required standard warranty terms will not apply (see warranty document)
3. LED: 2700k / 4000k .ies file(s) on request - contact us

Technical Drawings (mm)



LED Notes

1. *Lumen Output - for fixtures with a recessed baffle / snoot / frosted lens the lumen output may be lower than the stated figures - contact us for the latest .ies file(s) to ensure accuracy of data
2. LED Engine / LED COB use only 3-step MacAdam Ellipse LEDs, tested @ 25°C
3. Control Gear (by others) is subject to both specification and availability
4. LED Engine / LED COB - Lumen output is ±7% / CCT tolerance is ±150k
5. Operating Voltage: 220 - 240v, 50/60 Hz
6. Subject to technical changes without notice

Fixture Notes

1. GU10/MR16 Lamps - Fixture height may vary according to the sizes stated by the respective Lamp manufacturer
2. Technical Drawings - tolerance of ± 1mm applies to all stated dimensions
3. Suitable for Plasterboard Ceilings (thickness: 9mm - 30mm), unless stated otherwise
4. Custom RAL finishes are available on request (may be subject to MOQ)
5. Standard finishes are Powder-coated White (RAL 9003) and Black (RAL 9005)
6. For Panel (MDF, etc) and Concrete applications pls contact us with details of the Project requirements