

General

Type	Adjustable Downlight
Mounting	Ceiling Recessed
IP-Rating	IP20
Construction	Diecast Aluminium
Operating Temp	-10°C to +40°C
Protection	Class 2
Certification	CE (EN 60598-1)
Warranty	5 years (refer to warranty document)



LED COB @ 3000k

Power Output	6.2w	Power Output	9.2w
Beam	13° 25° 38°	Beam	13° 25° 38°
*Lumen Output	598 lm 598 lm 602 lm	*Lumen Output	785 lm 789 lm 792 lm
CRI	80 (90 on request)	CRI	80 (90 on request)
Lifetime	50,000h (B80, L10)	Lifetime	50,000h (B80, L10)
Control Gear	Remote Driver	Control Gear	Remote Driver
Drive Current	350mA	Drive Current	500mA (max)
Forward Voltage	18.4v	Forward Voltage	18.4v

2700k / 4000k - data on request

Specification

Order Code:

1

→

2

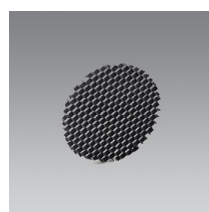
→

3

→

Finish	LED COB	Control Gear (Pls state if 350ma or 500ma is required, eg. .P500)	
White A377W	2700k / 13° beam .827.13	Phase-cut .P	Ordering Info: 1. Example: A377W.827.38.P 2. *None: Where Control Gear is not required standard warranty terms will not apply (see warranty document) 3. Add-ons: Include Add-on Code(s) after Order Code - more than one Add-on can be specified 4. LED: 2700k / 4000k .ies file(s) on request - contact us 5. This fixture uses a reflector for secondary optics
Black A377B	2700k / 25° beam .827.25	1-10v .A	
	2700k / 38° beam .827.38	DALI .D	
	3000k / 13° beam .830.13	Switching .S	
	3000k / 25° beam .830.25	*None .N	
	3000k / 38° beam .830.38		
	4000k / 13° beam .840.13		
	4000k / 25° beam .840.25		
	4000k / 38° beam .840.38		

Add-ons

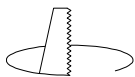
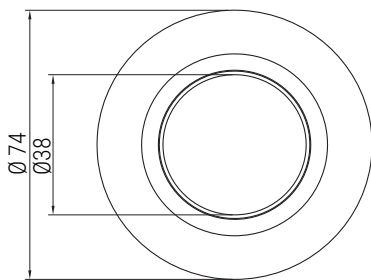
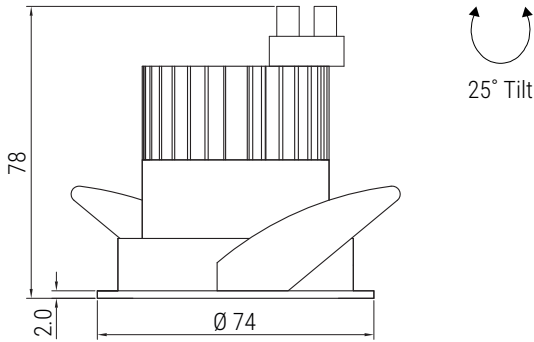


Honeycomb Filter / **.HC**



Frosted Lens / **.FL**

Technical Drawings (mm)



Cut-out = Ø 67

LED Notes

1. *Lumen Output - for fixtures with a recessed baffle / snoot / frosted lens the lumen output may be lower than the stated figures - contact us for the latest .ies file(s) to ensure accuracy of data
2. LED Engine / LED COB use only 3-step MacAdam Ellipse LEDs, tested @ 25°C
3. Control Gear (by others) is subject to both specification and availability
4. LED Engine / LED COB - Lumen output is ±7% / CCT tolerance is ±150k
5. Operating Voltage: 220 - 240v, 50/60 Hz
6. Subject to technical changes without notice

Fixture Notes

1. GU10/MR16 Lamps - Fixture height may vary according to the sizes stated by the respective Lamp manufacturer
2. Technical Drawings - tolerance of ± 1mm applies to all stated dimensions
3. Suitable for Plasterboard Ceilings (thickness: 9mm - 30mm), unless stated otherwise
4. Custom RAL finishes are available on request (may be subject to MOQ)
5. Standard finishes are Powder-coated White (RAL 9003) and Black (RAL 9005)
6. For Panel (MDF, etc) and Concrete applications pls contact us with details of the Project requirements