

## General

Type	Adjustable Downlight
Mounting	Ceiling Recessed
IP-Rating	IP20
Construction	Diecast Aluminium
Operating Temp	-10°c to +40°c
Protection	Class 2
Certification	CE (EN 60598-1)
Warranty	5 years (refer to warranty document)



## LED Engine

Power Output	8.9w		
CCT	2700k	3000k	4000k
*Lumen Output	960 lm	960 lm	1072 lm
CRI	80 (90 on request)		
Optics	12° / 24° / 38° (60° on request)		
Lifetime	50,000h (B80, L10)		
Control Gear	Remote Driver		
Drive Current	500mA (max)		
Forward Voltage	17.8v		

## Specification

Order Code:



### 1 Finish

White	<b>A317W</b>
Black	<b>A317B</b>

### 2 LED Engine

2700k / 12° beam	<b>.827.12</b>
2700k / 24° beam	<b>.827.24</b>
2700k / 38° beam	<b>.827.38</b>
3000k / 12° beam	<b>.830.12</b>
3000k / 24° beam	<b>.830.24</b>
3000k / 38° beam	<b>.830.38</b>
4000k / 12° beam	<b>.840.12</b>
4000k / 24° beam	<b>.840.24</b>
4000k / 38° beam	<b>.840.38</b>

### Lamp

GU10 / not incl.	<b>.10</b>
MR16 / not incl.	<b>.16</b>

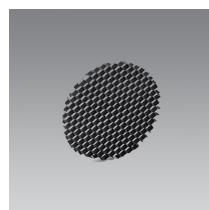
### 3 Control Gear (LED Engine only)

Phase-cut	<b>.P</b>
1-10v	<b>.A</b>
DALI	<b>.D</b>
Switching	<b>.S</b>
*None	<b>.N</b>

### Ordering Info:

- LED Engine example: **A317W.827.38.P**
- Lamp example: **A317B.10**
- Lamps: not included as standard but can be supplied on request - contact us for details
- \*None: Where Control Gear is not required standard warranty terms will not apply (see warranty document)
- Add-ons: Include Add-on Code(s) after Order Code - more than one Add-on can be specified

## Add-ons



Honeycomb Filter / **.HC**

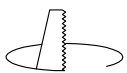
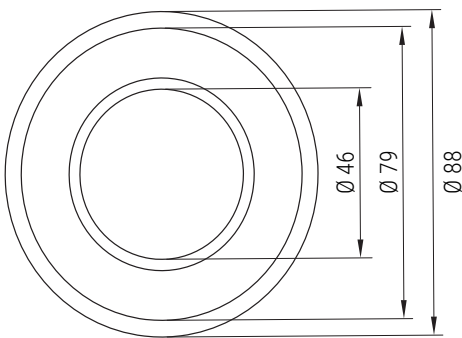
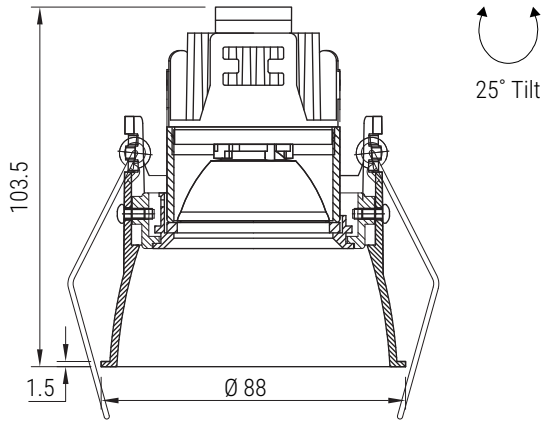


Frosted Lens / **.FL**



Flush-mount Kit / **.FMK**

Technical Drawings (mm)



Cut-out = Ø 84

LED Notes

1. \*Lumen Output - for fixtures with a recessed baffle / snoot / frosted lens the lumen output may be lower than the stated figures - contact us for the latest .ies file(s) to ensure accuracy of data
2. LED Engine / LED COB use only 3-step MacAdam Ellipse LEDs, tested @ 25°C
3. Control Gear (by others) is subject to both specification and availability
4. LED Engine / LED COB - Lumen output is ±7% / CCT tolerance is ±150k
5. Operating Voltage: 220 - 240v, 50/60 Hz
6. Subject to technical changes without notice

Fixture Notes

1. GU10/MR16 Lamps - Fixture height may vary according to the sizes stated by the respective Lamp manufacturer
2. Technical Drawings - tolerance of ± 1mm applies to all stated dimensions
3. Suitable for Plasterboard Ceilings (thickness: 9mm - 30mm), unless stated otherwise
4. Custom RAL finishes are available on request (may be subject to MOQ)
5. Standard finishes are Powder-coated White (RAL 9003) and Black (RAL 9005)
6. For Panel (MDF, etc) and Concrete applications pls contact us with details of the Project requirements