

General

Type	Fixed Downlight
Mounting	Ceiling Recessed
IP-Rating	IP54
Construction	Diecast Aluminium
Operating Temp	-10°c to +40°c
Protection	Class 2
Certification	CE (EN 60598-1)
Warranty	5 years (refer to warranty document)



LED COB (38° beam)

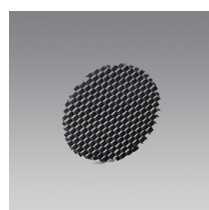
Power Output	8.9w		
CCT	2700k	3000k	4000k
*Lumen Output	960 lm	960 lm	1072 lm
CRI	80 (90 on request)		
Optics	13° / 25° / 38° (Reflector)		
Lifetime	50,000h (B80, L10)		
Control Gear	Remote Driver		
Drive Current	500mA (max)		
Forward Voltage	17.8v		

Specification

Order Code:

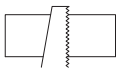
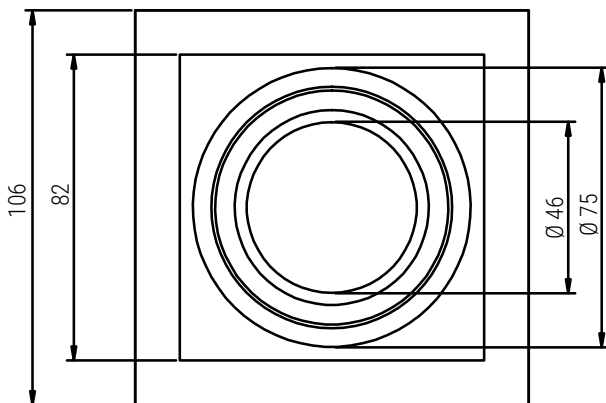
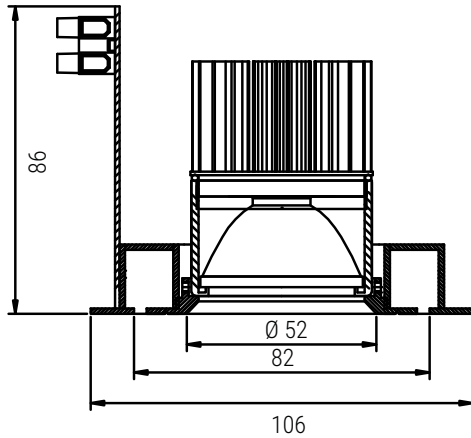
①	→	②	→	③	→	
Finish		LED COB		Control Gear		
Black (Clear Glass)	G356BC	2700k / 13° beam	.827.13	Phase-cut	.P	Ordering Info: 1. Example: G356BC.827.38.P 2. *None: Where Control Gear is not required standard warranty terms will not apply (see warranty document) 3. LED COB (HO): High-output LED available - contact us for details/specs
White/Black (Clear Glass)	G356WBC	2700k / 25° beam	.827.25	1-10v	.A	
Black (Frosted Glass)	G356BF	2700k / 38° beam	.827.38	DALI	.D	
White/Black (Frosted Glass)	G356WBF	3000k / 13° beam	.830.13	Switching	.S	
		3000k / 25° beam	.830.25	*None	.N	
		3000k / 38° beam	.830.38			
		4000k / 13° beam	.840.13			
		4000k / 25° beam	.840.25			
		4000k / 38° beam	.840.38			

Add-ons



Honeycomb Filter / **.HC**

Technical Drawings (mm)



Cut-out = 99 x 99

LED Notes

1. *Lumen Output - for fixtures with a recessed baffle / snoot / frosted lens the lumen output may be lower than the stated figures - contact us for the latest .ies file(s) to ensure accuracy of data
2. LED Engine / LED COB use only 3-step MacAdam Ellipse LEDs, tested @ 25°C
3. Control Gear (by others) is subject to both specification and availability
4. LED Engine / LED COB - Lumen output is $\pm 7\%$ / CCT tolerance is $\pm 150k$
5. Operating Voltage: 220 - 240v, 50/60 Hz
6. Subject to technical changes without notice

Fixture Notes

1. GU10/MR16 Lamps - Fixture height may vary according to the sizes stated by the respective Lamp manufacturer
2. Technical Drawings - tolerance of $\pm 1mm$ applies to all stated dimensions
3. Suitable for Plasterboard Ceilings (thickness: 9mm - 30mm), unless stated otherwise
4. Custom RAL finishes are available on request (may be subject to MOQ)
5. Standard finishes are Powder-coated White (RAL 9003) and Black (RAL 9005)
6. For Panel (MDF, etc) and Concrete applications pls contact us with details of the Project requirements