

Pinhole

Ø93mm

- Ø93mm Pinhole Series
- Narrow aperture (Ø38mm)
- Front-loading for easy re-lamping
- Flush-mount kit available
- IP54 option available

General

Type	Fixed / Adjustable Downlight
Mounting	Ceiling Recessed
IP-Rating	IP20 / IP54
Construction	Diecast Aluminium
Operating Temp	-10°C to +40°C
Protection	Class 2
Certification	CE (EN 60598-1)
Warranty	5 years

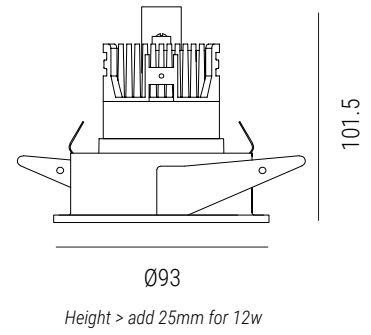
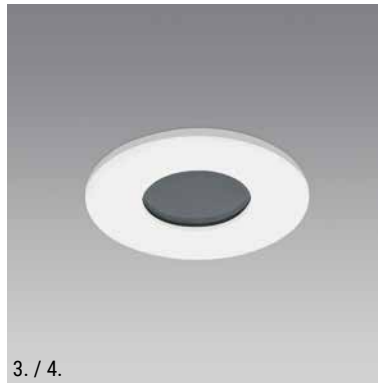
Order Code

①	→	②	→	③
Finish		LED Engine		Control Gear
		8.9w .9 80 CRI .8 2700k / 12° beam 27.12		Phase-cut .P
		12.2w .12 90 CRI .9 2700k / 24° beam 27.24		1-10v .A
		2700k / 38° beam 27.38		DALI .D
		3000k / 12° beam 30.12		Switching .S
		3000k / 24° beam 30.24		*None .N
		3000k / 38° beam 30.38		
		4000k / 12° beam 40.12		
		4000k / 24° beam 40.24		
		4000k / 38° beam 40.38		
①	→	②		
Finish		Lamp		
		GU10 (not incl) .10		
		MR16 (not incl) .16		

Add-ons	→	Honeycomb Filter .HC
		Frosted Lens .FL
		Flush-mount Kit .FMK

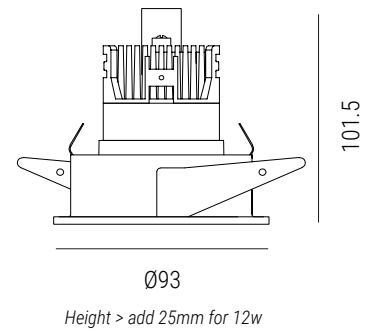
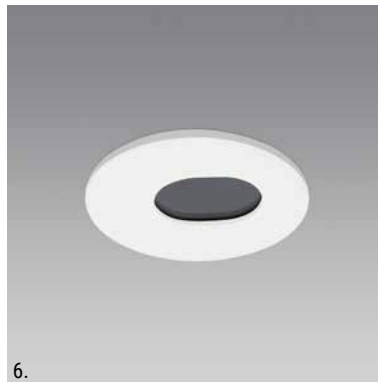
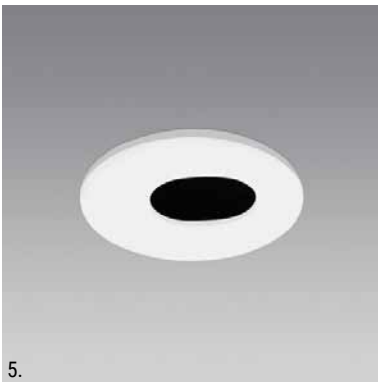
Ordering Info:

1. Example: A301W.9.827.38.P
2. *None: Where Control Gear is not required standard warranty terms will not apply (see warranty document > akclighting.com)
3. Add-ons: Include Add-on Code(s) after Order Code - more than one Add-on can be specified (where applicable)



Variant	Finish	Cut-out	Tilt	Rotate
1. Pinhole	White A301W	Ø80mm	-	-
	Black A301B			
2. Pinhole Adj	White A302W	Ø80mm	25°	-
	Black A302B			
3. Pinhole IP54	White A303W	Ø80mm	-	-
	Black A303B			
4. Pinhole Adj IP54	White A304W	Ø80mm	25°	-
	Black A304B			

*IP54 includes clear glass cover to aperture (frosted glass available on request)



Variant	Finish	Cut-out	Tilt	Rotate
5. Pinslot	White A305W	Ø80mm	25°	-
	Black A305B			
6. Pinslot IP54	White A306W	Ø80mm	25°	-
	Black A306B			

*IP54 includes clear glass cover to aperture (frosted glass available on request)



Add-on > Flush-mount Kit (.FMK)

Ø130mm > For Pinhole Series