

Microtrim Sq

85 x 85mm
105 x 105mm

- Square Downlight Series
- Ultra-narrow bezel trim (4mm)
- Recessed baffle for lower glare
- Front-loading for easy re-lamping
- Two housing sizes

General

Type	Fixed / Adjustable Downlight
Mounting	Ceiling Recessed
IP-Rating	IP20 / IP44
Construction	Diecast Aluminium
Operating Temp	-10°C to +40°C
Protection	Class 2
Certification	CE (EN 60598-1)
Warranty	5 years

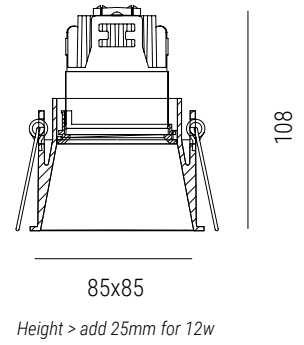
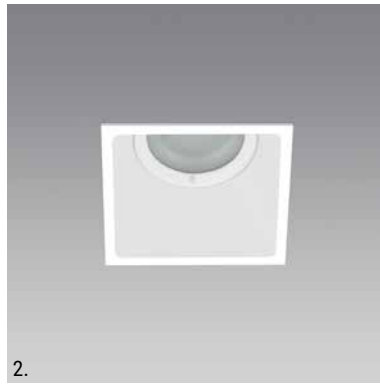
Order Code

①	→	②	→	③
Finish		LED Engine		Control Gear
		8.9w .9 80 CRI .8 2700k / 12° beam 27.12		Phase-cut .P
		12.2w .12 90 CRI .9 2700k / 24° beam 27.24		1-10v .A
		2700k / 38° beam 27.38		DALI .D
		3000k / 12° beam 30.12		Switching .S
		3000k / 24° beam 30.24		*None .N
		3000k / 38° beam 30.38		
		4000k / 12° beam 40.12		
		4000k / 24° beam 40.24		
		4000k / 38° beam 40.38		
①	→	②		
Finish		Lamp		
		GU10 (not incl) .10		
		MR16 (not incl) .16		

Add-ons	→	Honeycomb Filter .HC
		Frosted Lens .FL

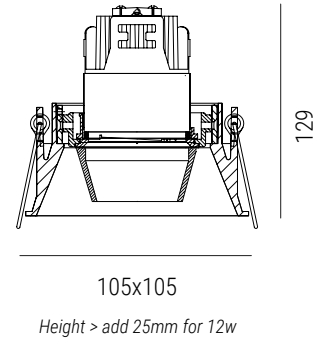
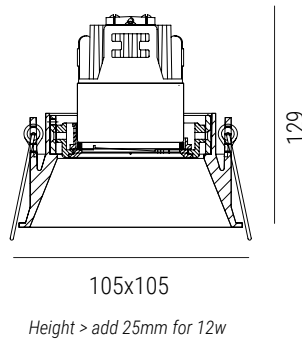
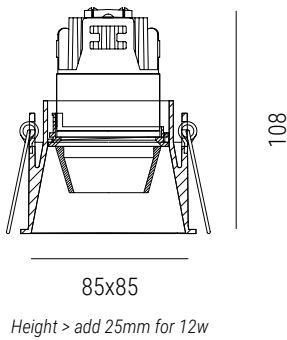
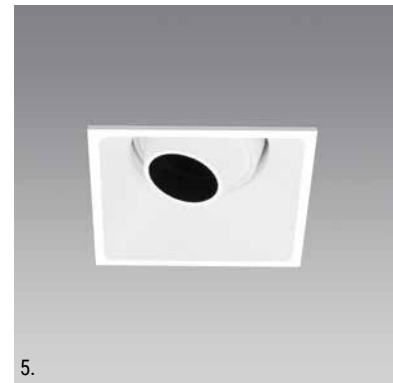
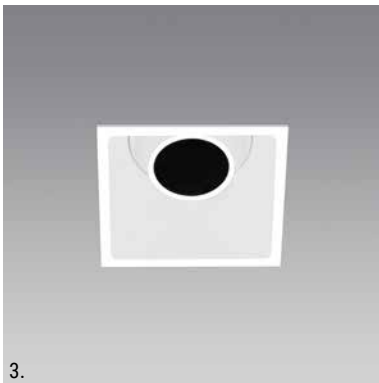
Ordering Info:

1. Example: **A321W.9.827.38.P**
2. *None: Where Control Gear is not required standard warranty terms will not apply (see warranty document > akclighting.com)
3. Add-ons: Include Add-on Code(s) after Order Code - more than one Add-on can be specified (where applicable)



Variant	Finish	Cut-out	Tilt	Rotate
1. Microtrim Sq	White A321W	81 x 81mm	-	-
	Black A321B			
2. Microtrim Sq IP44	White A322W	81 x 81mm	-	-
	Black A322B			

*IP44 includes clear glass cover to aperture (frosted glass available on request)



Variant	Finish	Cut-out	Tilt	Rotate
3. Microtrim Sq Snoot	White A323W	84 x 84mm	-	-
	Black A323B			
4. Microtrim Sq Adj	White A324W	101 x 101mm	25°	355°
	Black A324B			
5. Microtrim Sq Adj Snoot	White A325W	101 x 101mm	25°	355°
	Black A325B			