



Contract-grade Architectural and Decorative Lighting packages,
value engineered without design or technical compromise.

2021 > Architectural Fixtures

- Downlights / Modular
- Downlights / COB
- Wall Markers
- Track Systems
- Recessed Channel





Optimised Range

Designed to cover the majority of a Project's Interior Lighting, **ambient, accent and task** - our optimised range of Architectural fixtures provides a complete solution to realise design intent within budget >

1. Recessed Downlights

Single, Double, Triple-lamp / IP20, IP44, IP54-rated / Fixed, tilt, tilt & rotate / trim and trimless fixtures

2. Recessed / Surface Spotlights

Trim and trimless / surface mounted / multiple options

3. Surface Downlights

Single, Double, Triple-lamp / IP20, IP54-rated / Fixed, tilt and gimbal / Pendant variants available

4. Track Lights

Low voltage (24v / 48v) / 0-10v and DALI / trimless, recessed, pendant and surface track > multiple configuration options

5. Recessed Channel

Single, double and continuous spotlights inside recessed channel with trimless finish / multiple configuration options

6. LED Strips & Profiles (*Separate Catalogue)

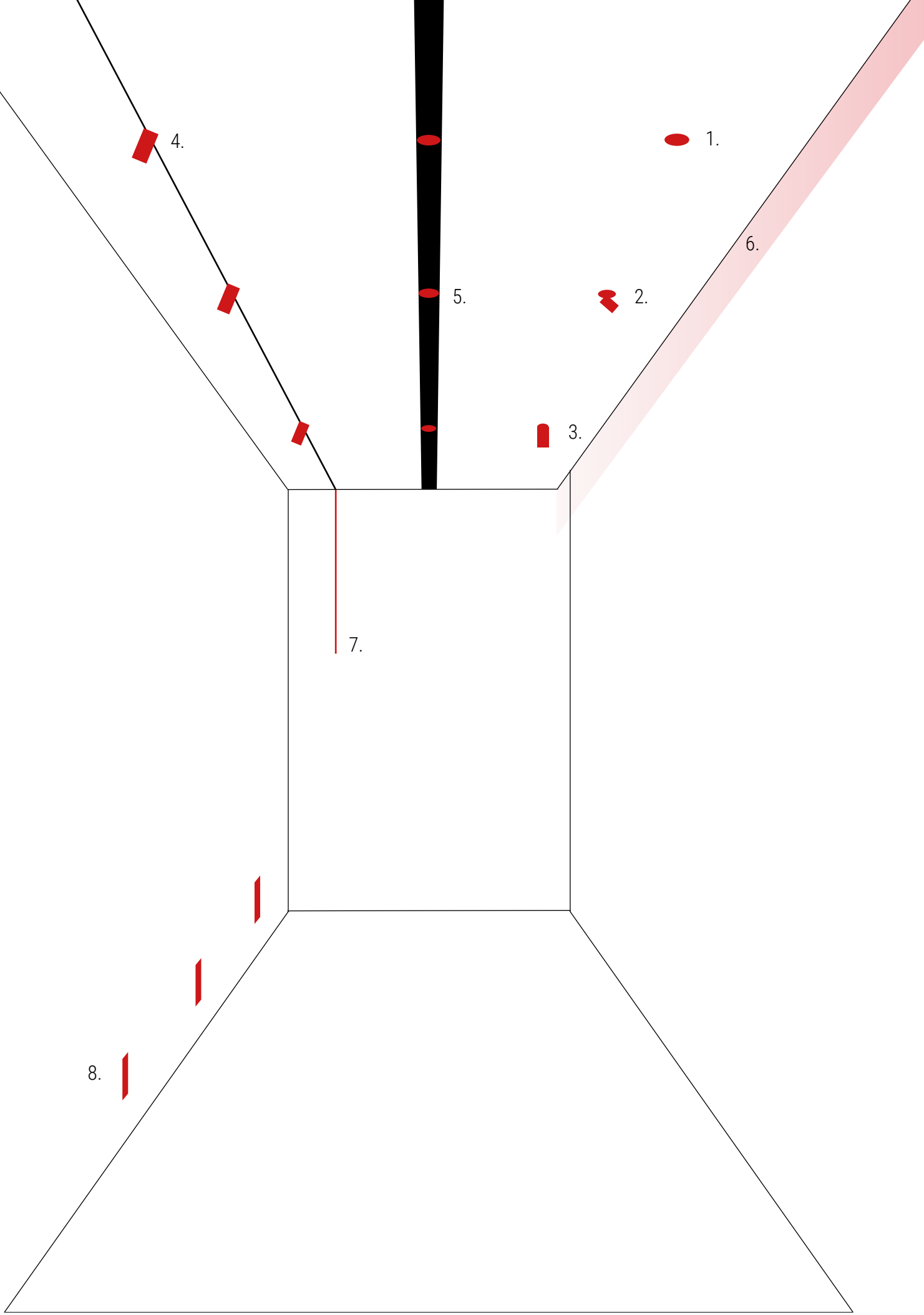
Multiple options to suit most major applications for both direct and indirect lighting, from IP20 to IP68

7. Line-of-light

Trimless, recessed, pendant and surface options / 0-10v and DALI - homogenous, dotless linear lighting from IP20 to IP68

8. Wall Markers

Trim and trimless / square and rectangular options



About Us

■ Mission

To provide Designers / Contractors with a single-source Lighting solution for realising design intent in budget without any technical compromise.

■ Vision

To solidify our position as one of the Region's best providers of Contract-grade Architectural and Decorative Lighting packages.

■ Values

- **Integrity** > we are consistently open, honest, willing to listen and learn.
- **Teamwork** > the journey is a team effort and we deliver our best in all we do, for the good of the team.
- **Agility** > our focus is 100% Client-centric and we endeavour to ensure their main objective is achieved.
- **Accountability** > to deliver great results, with continuous improvement - holding ourselves accountable.

■ Designed to enhance the premium finishes of high-end Projects, our range is ideally suited for:

- **Prime Residential** (High-end Villas & Apartments)
- **Hotel/Hospitality** (From 3* to 5* / Suites, Guestrooms, Public Areas, BOH, Retail / F&B / Spa and more...)
- **Premium Corporate** (Offices, Executive Suites, Experience Centres...)

■ The range also:

- includes a 5-year warranty as standard (unless stated otherwise)
- has no minimum order requirements and selective items available on short lead times
- includes Certification to International standards and is fully tested
- enables customisation for large-scale Projects (MOQ applies)

Product Quality

■ Contract-grade

Our full range of fixtures has been created in Solidworks by Professional Luminaire Designers - every model is prototyped using the latest 3D printing methods. We have very strong relationships with our manufacturing partners, who deploy robust and credible quality assurance procedures - ensuring consistently high quality. Our range is available with no Minimum Order Quantity (MOQ), which makes us the ideal single solution for Projects of all sizes. From a Studio apartment to a 700-key+ Resort, we enable the Designer / Contractor to deliver the concept with no restrictions on supply with no concern over Product quality or technical performance.

■ Testing

Our fixtures conform to the latest International Standards (EN-60598-1 / EN-62031: 2020) and we can conduct 3rd party testing for our Product range with LUX-TSI (UK), Intertek and our production Partner's in-house labs, which test to both LM-79 and LM-80 standards.

■ Declaration of Conformity

All fixtures are CE-standard and are suitable for markets operating at 220-240vAC



intertek



For Professionals

■ Lighting Designers, Interior Designers, Eng. / Cost Consultants

We enable realisation of design intent in your Client's budget

We're the ideal solution when:

- Your Client wants great lighting in a budget that won't allow use of the more costly specified fixtures from other well-known global Lighting brands and you require value-engineered, credible alternatives.
- You want to deliver a stunning concept and require a range of fixtures that will cover all lighting applications without aesthetic or technical compromise - in the Client's budget.
- You require a company that is with you until handover and with your Client during the full life of the warranty period, providing support as and when required.

■ Fit-out / MEP Contractors, Main Contractors, Real Estate Developers

Meet deadlines in budget with our robust solutions

We're the ideal solution when:

- Your Project is on a tight handover deadline with the possibility of penalties for delayed handover and you need short lead times for high-grade Products that are tested to International standards.
- You require a single-source of high-grade lighting fixtures, that are in keeping or closely match the Design intent, whilst keeping to your allocated budget.
- Your installation team / MEP Contractor needs guidance and support during the key periods - installation, testing / commissioning and post-handover, to iron-out any issues.

Our Approach

1

Concept Design

Assessment > main objective

Each target segment has different needs and tasks. At this primary stage of the Project lifecycle, our priority is to listen and gain insight as to how/if we can add value to the interior lighting scheme, after clarifying who the Client is and their main objective.

2

Proposal Validation

Approval > delivery

Our proposal is validated by the Designer and/or Client, following acceptable feedback of quotations, data-sheets, schedules and physical samples. At this stage the Purchase Order is finalised and the required fixtures are then manufactured, with samples provided to the nominated Contractor to ensure goods delivered are exactly as ordered.

3

Realisation

Installation > handover

The Contractor requires support at many stages > we are available to support smooth commissioning and iron-out any issues both pre and post-handover.

Product Range >

Downlights / Modular (Recessed + Surface)	Page
LED Engines	12-13
Pinhole	14-15
Pinhole Sq	16-17
Microtrim	18-20
Microtrim Sq	22-23
Optima	26-28
Skate	30-32
Kubik	34-35
Vermont	36-37
Ryder	40-41
Bowdon	42-45
Bowdon TL	46-47
Box Clever	48-50

Wall Markers	Page
Marker	52-53

Downlights / COB (Recessed)	Page
Petite	56-57
Pluto	58-59
Zeta	60-61
Tiny	62-63
Circa	66-67
Deco	68-75
System 2.1	76-81

Track Systems (Recessed + Surface + Pendant)	Page
System 2.0	82-97
Virgo	98-103

Recessed Channel	Page
System 3.0	104-111

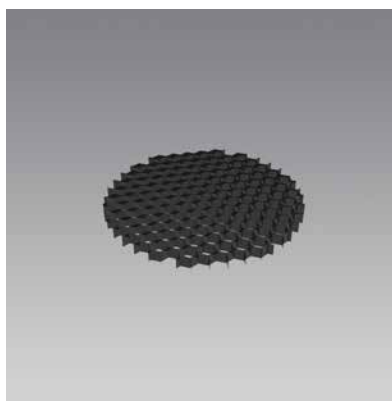
LED Engines

- 9w / 12w LED Engines Ø50mm
- High efficacy 3SDCM LED
- 90+ CRI option available
- Multiple beam angle options
- IP54 option available on request



Control Gear

- Our range of fixtures has been tested with Drivers by Tridonic and Euchips, for optimal performance and a 5 year warranty.
- Other driver Manufacturers are also available, to accommodate your budget



Add-on / Honeycomb Filter (.HC)

- Ø50mm metal mesh that reduces glare without reduction in lumen output.
- Compatible with all LED Engine fixtures and other selective fixtures. Refer to Add-ons section under Specification



Add-on / Frosted Lens (.FL)

- Ø50mm x 3mm satin glass that reduces glare, enabling a wider beam angle > lumen output reduced by approx 30-35%
- Compatible with all LED Engine fixtures and other selective fixtures. Refer to Add-ons section under Specification

LED Engines

General

IP-Rating	IP20 (IP54 available on request)
Construction	Diecast Aluminium Heatsink (Cold-forged)
Operating Temp	-10°C to +40°C
Warranty	5 years
Optics	Lens (Reflector on request)
Beam Angles	12° / 24° / 38° (60° lens on request)

LED Information

Binning	3 SDCM (3-step MacAdam Ellipse)
Tolerance	Lumen output ±7% / CCT tolerance ±150k
Operating Voltage	220-240v, 50/60 Hz (via Control Gear)
Test Standards	LED Chip: LM-80 / Engine: EN 62031:2020
LED Lifetime	50,000h (B80 L10)



Technical Data / Sizes

Ø50mm x H 55mm

Ø50mm x H 67mm

Tested with 38° lens	8.9w (Standard LED Engine, Ø8mm LES)			12.2w (High-output LED Engine, Ø10mm LES)		
CCT	2700k	3000k	4000k	2700k	3000k	4000k
Lumens @ 80 CRI	960lm	960lm	1072lm	1530lm	1591lm	1692lm
90 CRI Multiplier*	0.81	0.84	0.87	0.81	0.84	0.87
Drive Current	500mA			350mA		
Forward Voltage	18v			36v		

Notes

- *Lumen Output: the stated figures are for delivered lumens (system lumens) that take into account power losses.
- *Refer to .ies files for lumen output data (available on request) / 90 CRI Multiplier is for guideline purposes only
- For the latest technical datasheets please contact us or visit akclighting.com

• **Other LED Module and Control Gear specs are available, to suit a variety of budgets - contact us for further details and to discuss your Project's requirements.**

Pinhole

Ø93mm

- Ø93mm Pinhole Series
- Narrow aperture (Ø38mm)
- Front-loading for easy re-lamping
- Flush-mount kit available
- IP54 option available

General

Type	Fixed / Adjustable Downlight
Mounting	Ceiling Recessed
IP-Rating	IP20 / IP54
Construction	Diecast Aluminium
Operating Temp	-10°C to +40°C
Protection	Class 2
Certification	CE (EN 60598-1)
Warranty	5 years

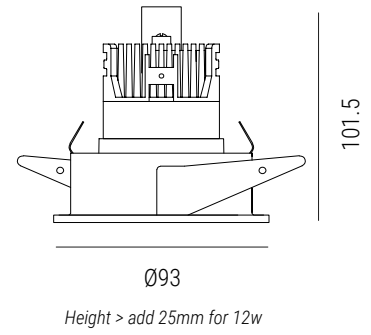
Order Code

①	→	②	→	③
Finish		LED Engine		Control Gear
		8.9w .9 80 CRI .8 2700k / 12° beam 27.12		Phase-cut .P
		12.2w .12 90 CRI .9 2700k / 24° beam 27.24		1-10v .A
		2700k / 38° beam 27.38		DALI .D
		3000k / 12° beam 30.12		Switching .S
		3000k / 24° beam 30.24		*None .N
		3000k / 38° beam 30.38		
		4000k / 12° beam 40.12		
		4000k / 24° beam 40.24		
		4000k / 38° beam 40.38		
①	→	②		
Finish		Lamp		
		GU10 (not incl) .10		
		MR16 (not incl) .16		

Add-ons	→	Honeycomb Filter .HC
		Frosted Lens .FL
		Flush-mount Kit .FMK

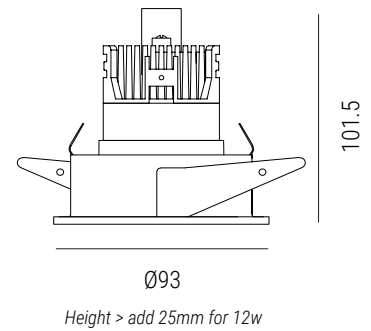
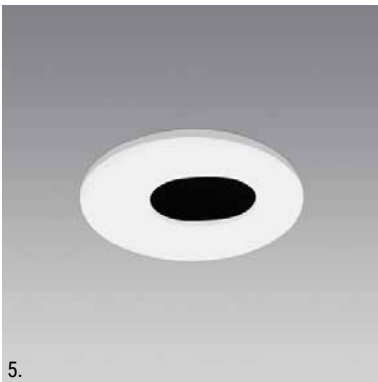
Ordering Info:

1. Example: A301W.9.827.38.P
2. *None: Where Control Gear is not required standard warranty terms will not apply (see warranty document > akclighting.com)
3. Add-ons: Include Add-on Code(s) after Order Code - more than one Add-on can be specified (where applicable)



Variant	Finish	Cut-out	Tilt	Rotate
1. Pinhole	White A301W	Ø80mm	-	-
	Black A301B			
2. Pinhole Adj	White A302W	Ø80mm	25°	-
	Black A302B			
3. Pinhole IP54	White A303W	Ø80mm	-	-
	Black A303B			
4. Pinhole Adj IP54	White A304W	Ø80mm	25°	-
	Black A304B			

*IP54 includes clear glass cover to aperture (frosted glass available on request)



Variant	Finish	Cut-out	Tilt	Rotate
5. Pinslot	White A305W	Ø80mm	25°	-
	Black A305B			
6. Pinslot IP54	White A306W	Ø80mm	25°	-
	Black A306B			

*IP54 includes clear glass cover to aperture (frosted glass available on request)



Add-on > Flush-mount Kit (.FMK)

Ø130mm > For Pinhole Series

Pinhole Sq

90 x 90mm

- 90 x 90mm Pinhole Downlights
- Clean, classic design
- Narrow aperture (35 x 35mm)
- Front-loading for easy re-lamping
- IP54 option available

General

Type	Fixed / Adjustable Downlight
Mounting	Ceiling Recessed
IP-Rating	IP20 / IP54
Construction	Diecast Aluminium
Operating Temp	-10°c to +40°c
Protection	Class 2
Certification	CE (EN 60598-1)
Warranty	5 years

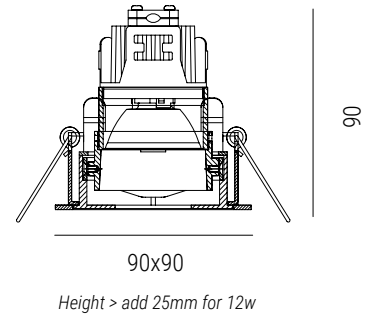
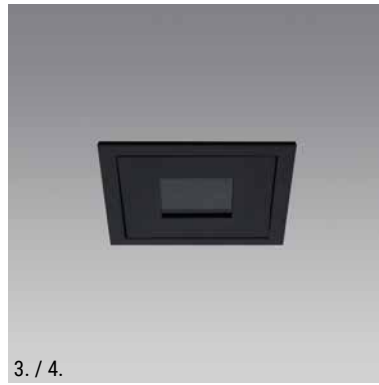
Order Code

①	→	②	→	③
Finish		LED Engine		Control Gear
		8.9w .9 80 CRI .8 2700k / 12° beam 27.12		Phase-cut .P
		12.2w .12 90 CRI .9 2700k / 24° beam 27.24		1-10v .A
		2700k / 38° beam 27.38		DALI .D
		3000k / 12° beam 30.12		Switching .S
		3000k / 24° beam 30.24		*None .N
		3000k / 38° beam 30.38		
		4000k / 12° beam 40.12		
		4000k / 24° beam 40.24		
		4000k / 38° beam 40.38		
①	→	②		
Finish		Lamp		
		GU10 (not incl) .10		
		MR16 (not incl) .16		

Add-ons	→	Honeycomb Filter .HC
		Frosted Lens .FL

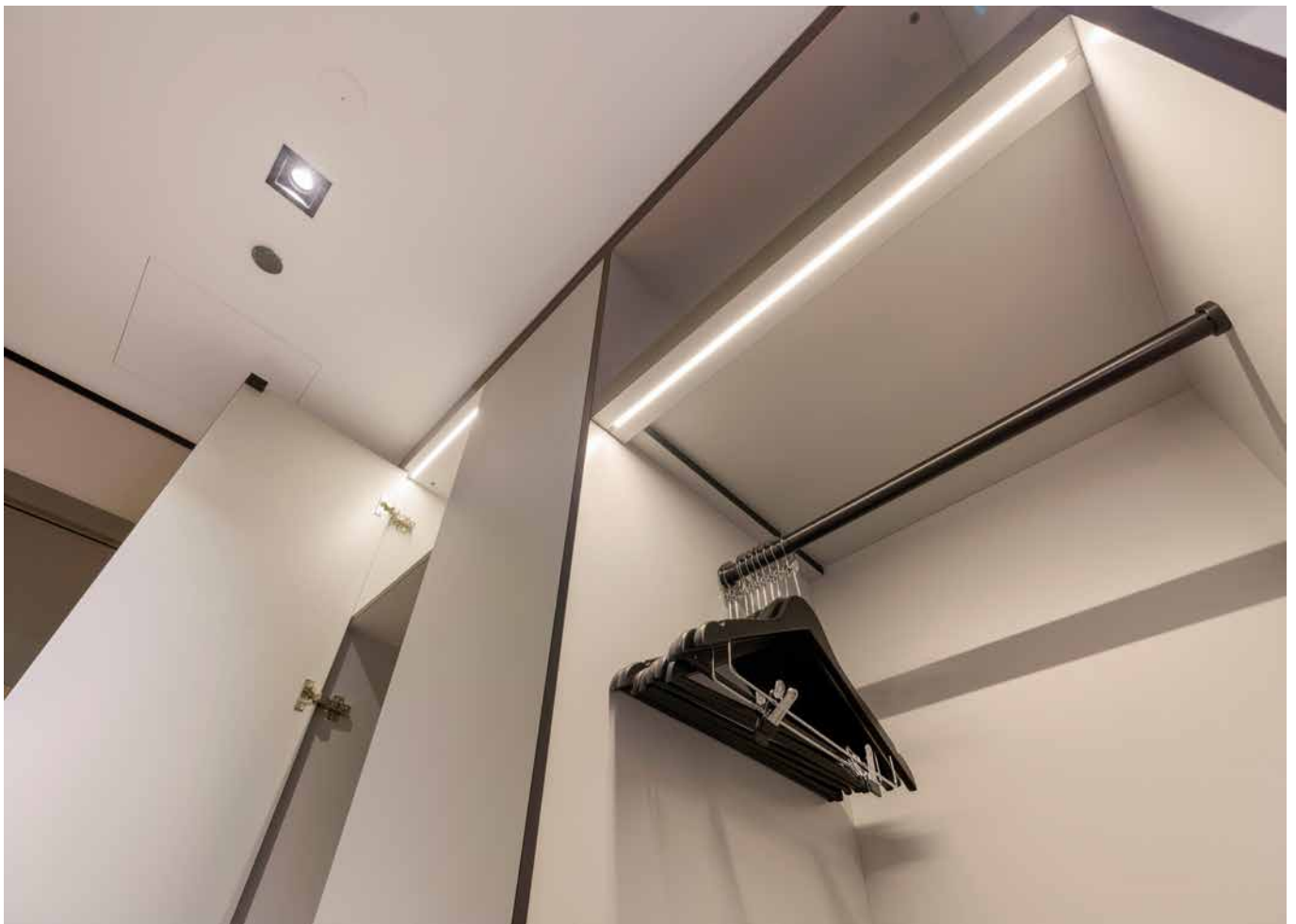
Ordering Info:

1. Example: **A307W.9.827.38.P**
2. *None: Where Control Gear is not required standard warranty terms will not apply (see warranty document > akclighting.com)
3. Add-ons: Include Add-on Code(s) after Order Code - more than one Add-on can be specified (where applicable)



Variant	Finish	Cut-out	Tilt	Rotate
1. Pinhole Sq	White A307W	84 x 84mm	-	-
	Black A307B			
2. Pinhole Sq Adj	White A308W	84 x 84mm	25°	-
	Black A308B			
3. Pinhole Sq IP54	White A309W	84 x 84mm	-	-
	Black A309B			
4. Pinhole Sq Adj IP54	White A310W	84 x 84mm	25°	-
	Black A310B			

*IP54 includes clear glass cover to aperture (frosted glass available on request)



Microtrim

Ø88mm

- Ø88mm Downlight Series
- Ultra-narrow bezel trim (4mm)
- Recessed baffle for lower glare
- Front-loading for easy re-lamping
- Flush-mount & trimless options

General

Type	Fixed / Adjustable Downlight
Mounting	Ceiling Recessed
IP-Rating	IP20 / IP44
Construction	Diecast Aluminium
Operating Temp	-10°C to +40°C
Protection	Class 2
Certification	CE (EN 60598-1)
Warranty	5 years

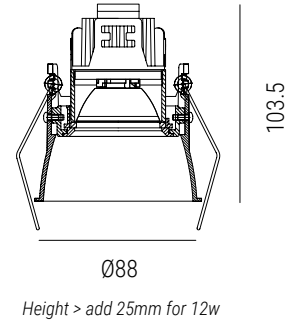
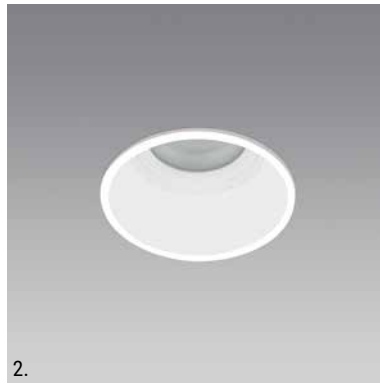
Order Code

①	→	②	→	③	
Finish		LED Engine		Control Gear	
		8.9w .9 80 CRI .8	2700k / 12° beam	27.12	Phase-cut .P
		12.2w .12 90 CRI .9	2700k / 24° beam	27.24	1-10v .A
			2700k / 38° beam	27.38	DALI .D
			3000k / 12° beam	30.12	Switching .S
			3000k / 24° beam	30.24	*None .N
			3000k / 38° beam	30.38	
			4000k / 12° beam	40.12	
			4000k / 24° beam	40.24	
			4000k / 38° beam	40.38	
①	→	②			
Finish		Lamp			
		GU10 (not incl) .10			
		MR16 (not incl) .16			

Ordering Info:

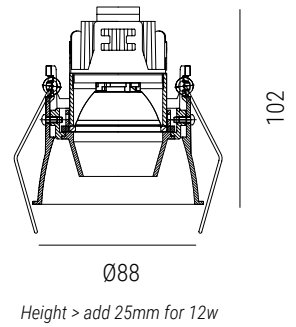
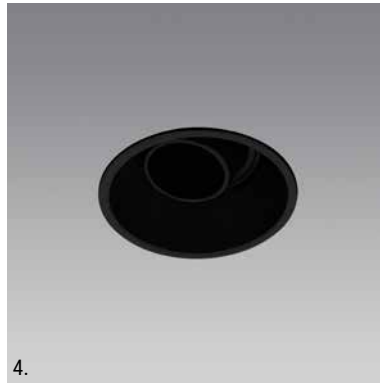
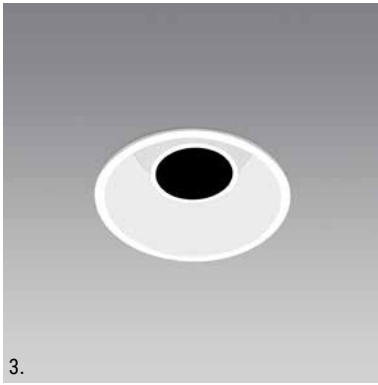
1. Example: **A311W.9.827.38.P**
2. *None: Where Control Gear is not required standard warranty terms will not apply (see warranty document > akclighting.com)
3. Add-ons: Include Add-on Code(s) after Order Code - more than one Add-on can be specified (where applicable)

Add-ons	→	Honeycomb Filter	.HC
		Frosted Lens	.FL
		Flush-mount Kit	.FMK

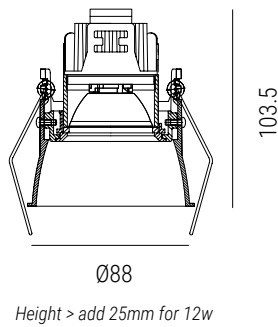


Variant	Finish	Cut-out	Tilt	Rotate
1. Microtrim	White A311W	Ø84mm	-	-
	Black A311B			
2. Microtrim IP44	White A312W	Ø84mm	-	-
	Black A312B			

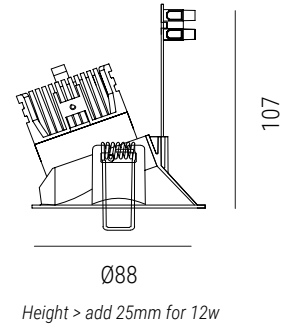
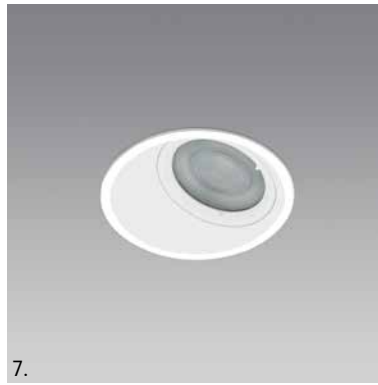
*IP44 includes clear glass cover to aperture (frosted glass available on request)



Variant	Finish	Cut-out	Tilt	Rotate
3. Microtrim Snoot	White A313W	Ø84mm	-	-
	Black A313B			
4. Microtrim Adj Snoot	White A318W	Ø84mm	25°	-
	Black A318B			

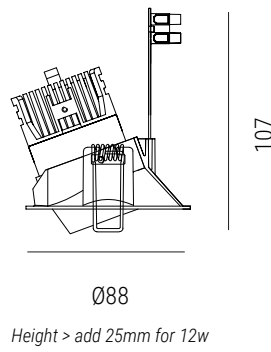
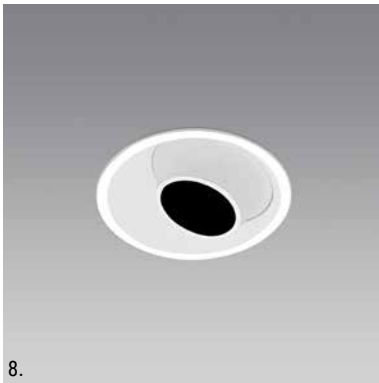


Variant	Finish	Cut-out	Tilt	Rotate
5. Microtrim Adj	White A317W	Ø84mm	25°	-
	Black A317B			



Variant	Finish	Cut-out	Tilt	Rotate
6. Microtrim Wallwasher	White A314W	Ø84mm	-	-
	Black A314B			
7. Microtrim Wallwasher IP44	White A315W	Ø84mm	-	-
	Black A315B			

*IP44 includes clear glass cover to aperture (frosted glass available on request)

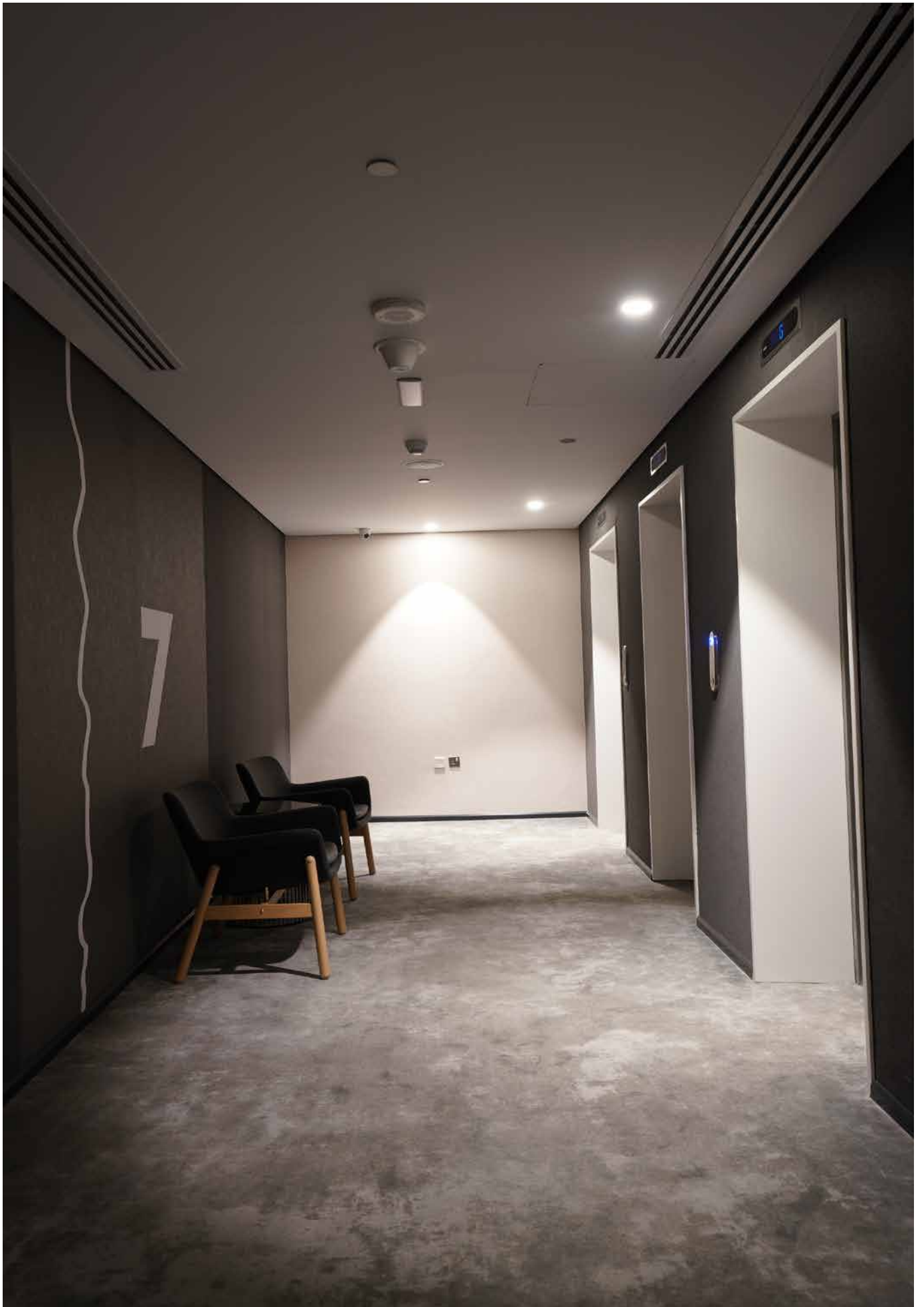


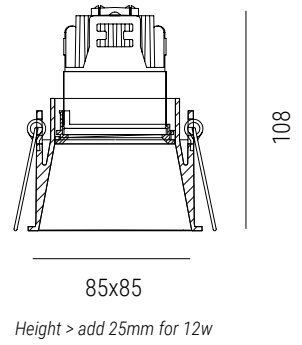
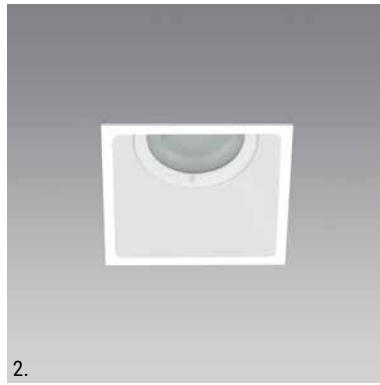
Variant	Finish	Cut-out	Tilt	Rotate
8. Microtrim Wallwasher Snoot	White A316W	Ø84mm	-	-
	Black A316B			



Add-on > Flush-mount Kit (.FMK)

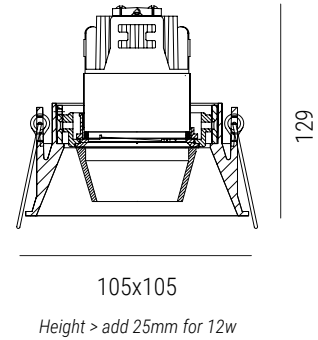
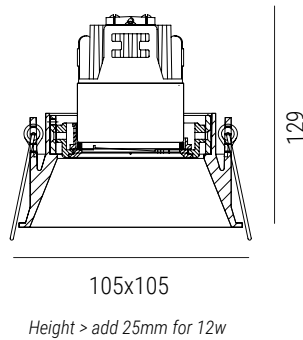
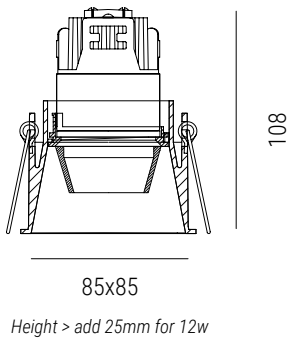
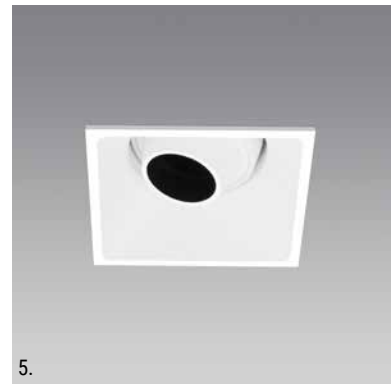
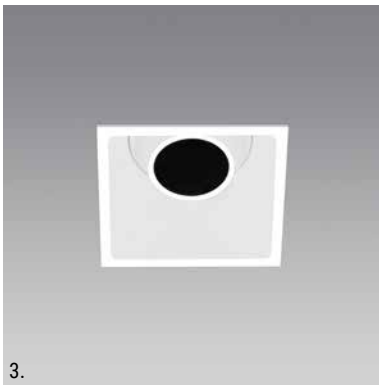
Ø130mm > For Microtrim Series





Variant	Finish	Cut-out	Tilt	Rotate
1. Microtrim Sq	White A321W	81 x 81mm	-	-
	Black A321B			
2. Microtrim Sq IP44	White A322W	81 x 81mm	-	-
	Black A322B			

*IP44 includes clear glass cover to aperture (frosted glass available on request)



Variant	Finish	Cut-out	Tilt	Rotate
3. Microtrim Sq Snoot	White A323W	84 x 84mm	-	-
	Black A323B			
4. Microtrim Sq Adj	White A324W	101 x 101mm	25°	355°
	Black A324B			
5. Microtrim Sq Adj Snoot	White A325W	101 x 101mm	25°	355°
	Black A325B			





Optima

Ø84mm

Ø91mm

- Family of minimalist Downlights
- Ideal for Residential / Hospitality
- Recessed baffle option
- Front-loading for easy re-lamping
- Snoot variant available

General

Type	Fixed / Adjustable Downlight
Mounting	Ceiling Recessed
IP-Rating	IP20 / IP44
Construction	Diecast Aluminium
Operating Temp	-10°C to +40°C
Protection	Class 2
Certification	CE (EN 60598-1)
Warranty	5 years

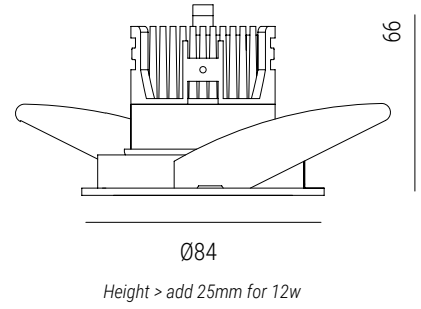
Order Code

①	→	②	→	③
Finish		LED Engine		Control Gear
		8.9w .9 80 CRI .8 2700k / 12° beam 27.12		Phase-cut .P
		12.2w .12 90 CRI .9 2700k / 24° beam 27.24		1-10v .A
		2700k / 38° beam 27.38		DALI .D
		3000k / 12° beam 30.12		Switching .S
		3000k / 24° beam 30.24		*None .N
		3000k / 38° beam 30.38		
		4000k / 12° beam 40.12		
		4000k / 24° beam 40.24		
		4000k / 38° beam 40.38		
①	→	②		
Finish		Lamp		
		GU10 (not incl) .10		
		MR16 (not incl) .16		

Add-ons	→	Honeycomb Filter .HC
		Frosted Lens .FL

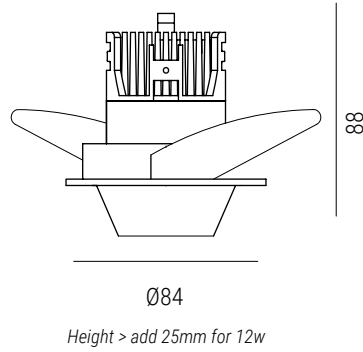
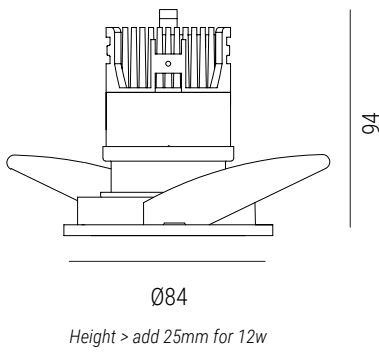
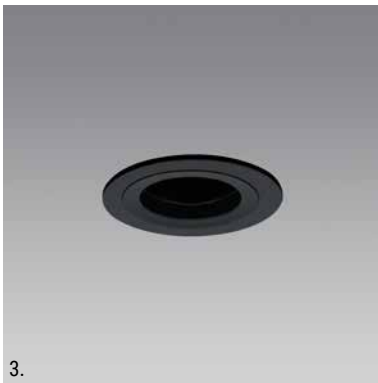
Ordering Info:

1. Example: **A326W.9.827.38.P**
2. *None: Where Control Gear is not required standard warranty terms will not apply (see warranty document > akclighting.com)
3. Add-ons: Include Add-on Code(s) after Order Code - more than one Add-on can be specified (where applicable)

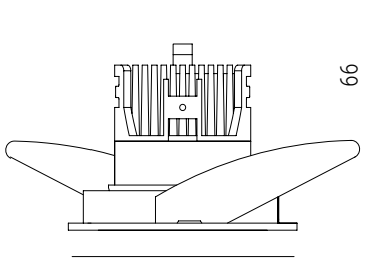
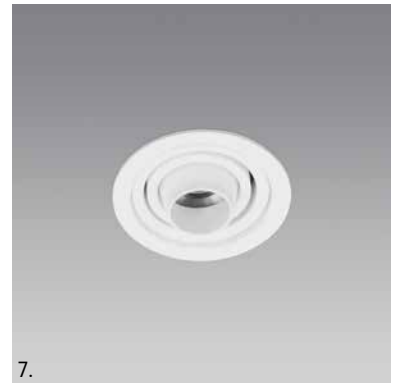
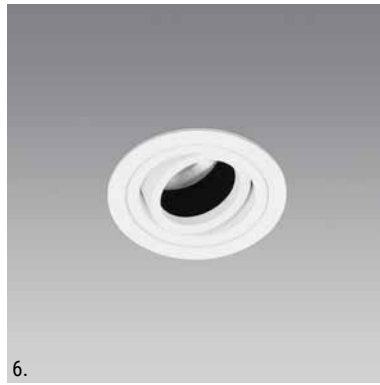


Variant	Finish	Cut-out	Tilt	Rotate
1. Optima	White A326W	Ø78mm	-	-
	Black A326B			
2. Optima IP44	White A328W	Ø78mm	-	-
	Black A328B			

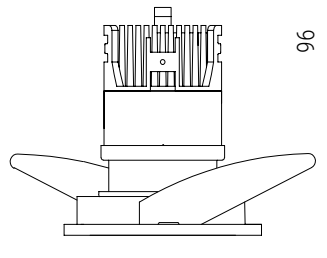
*IP44 includes clear glass cover to aperture (frosted glass available on request)



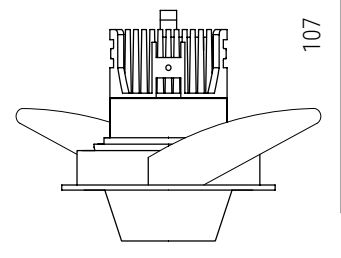
Variant	Finish	Cut-out	Tilt	Rotate
3. Optima AG	White A327W	Ø78mm	-	-
	Black A327B			
4. Optima Shoot	White A329W	Ø78mm	-	-
	Black A329B			



Ø91
Height > add 25mm for 12w

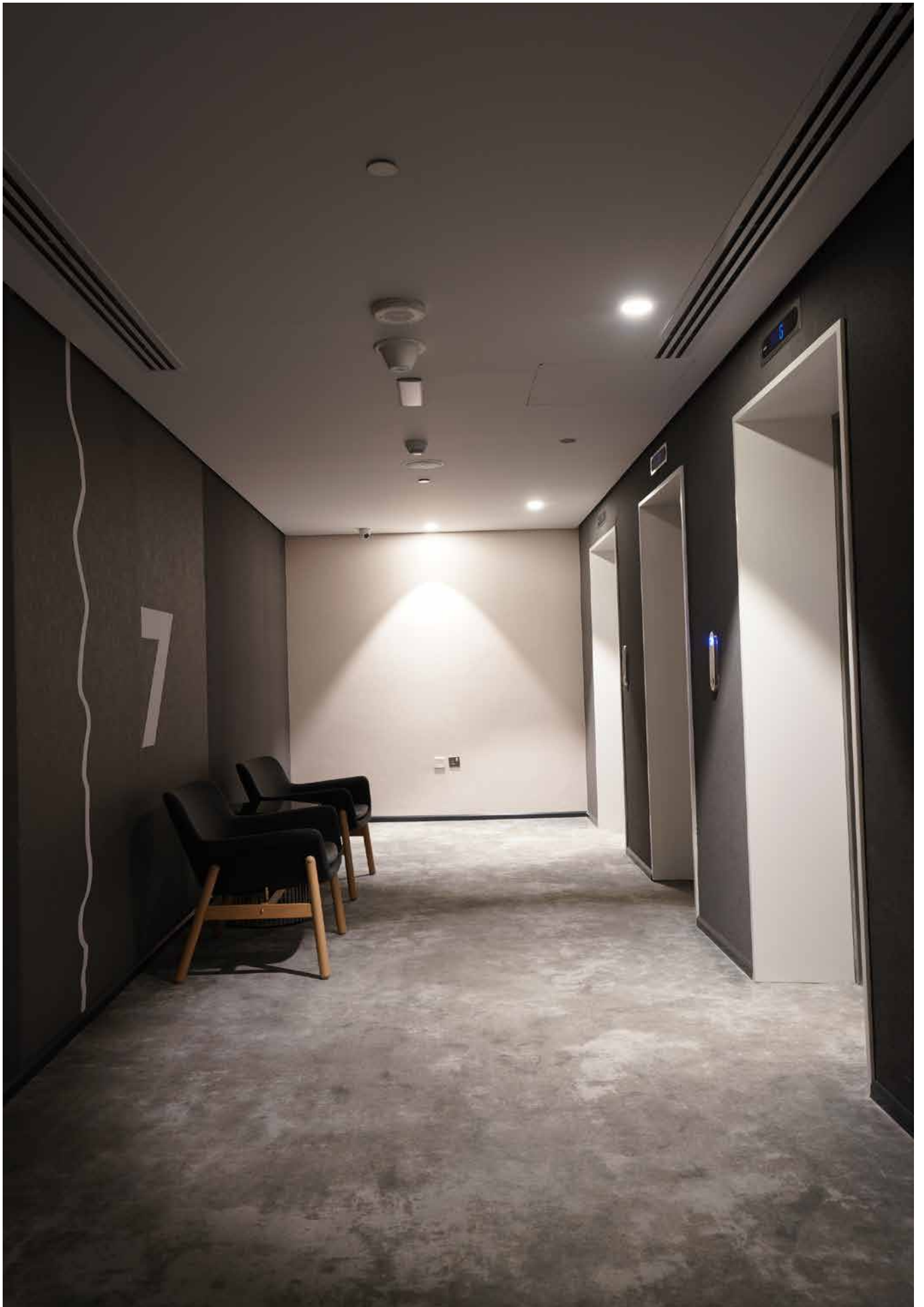


Ø91
Height > add 25mm for 12w



Ø91
Height > add 25mm for 12w

Variant	Finish	Cut-out	Tilt	Rotate
5. Optima Adj	White A330W	Ø85mm	25°	-
	Black A330B			
6. Optima Adj AG	White A331W	Ø85mm	25°	-
	Black A331B			
7. Optima Adj AG Snoot	White A332W	Ø85mm	25°	-
	Black A332B			



Skate

Ø90mm
Ø102mm

- Family of Fixed Downlights
- Ideal for Residential / Hospitality
- Recessed and Surface variants
- Front-loading for easy re-lamping
- Two diameter sizes

General

Type	Fixed Downlight
Mounting	Ceiling Recessed / Ceiling Surface
IP-Rating	IP20 / IP54
Construction	Diecast Aluminium
Operating Temp	-10°C to +40°C
Protection	Class 2
Certification	CE (EN 60598-1)
Warranty	5 years

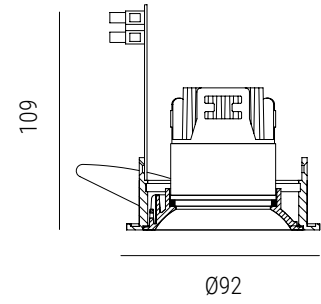
Order Code

①	→	②	→	③
Finish		LED Engine		Control Gear
		8.9w .9 80 CRI .8 2700k / 12° beam 27.12		Phase-cut .P
		12.2w .12 90 CRI .9 2700k / 24° beam 27.24		1-10v .A
		2700k / 38° beam 27.38		DALI .D
		3000k / 12° beam 30.12		Switching .S
		3000k / 24° beam 30.24		*None .N
		3000k / 38° beam 30.38		
		4000k / 12° beam 40.12		
		4000k / 24° beam 40.24		
		4000k / 38° beam 40.38		
①	→	②		
Finish		Lamp		
		GU10 (not incl) .10		
		MR16 (not incl) .16		

Add-ons	→	Honeycomb Filter .HC
		Frosted Lens .FL

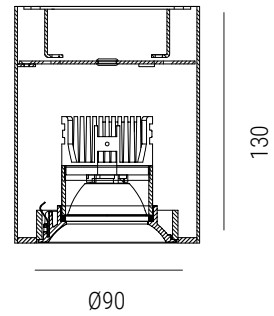
Ordering Info:

1. Example: **A333W.9.827.38.P**
2. *None: Where Control Gear is not required standard warranty terms will not apply (see warranty document > akclighting.com)
3. Add-ons: Include Add-on Code(s) after Order Code - more than one Add-on can be specified (where applicable)



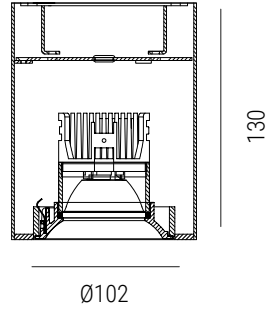
Variant	Finish	Cut-out	Tilt	Rotate
1. Skate	White A333W	Ø85mm	-	-
	Black A333B			
2. Skate IP54	White A334W	Ø85mm	-	-
	Black A334B			

*IP54 includes clear glass cover to aperture (frosted glass available on request)



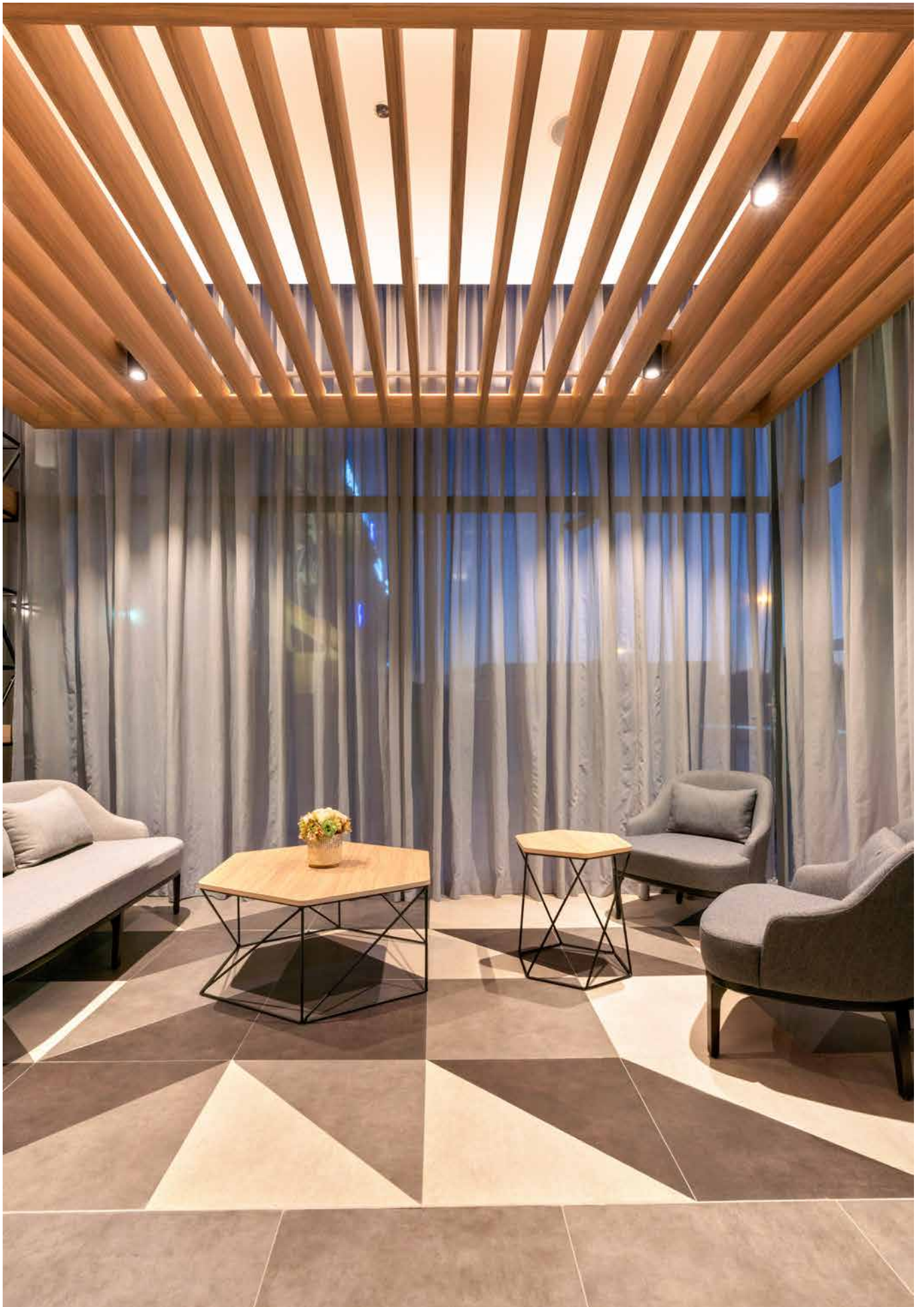
Variant	Finish	Cut-out	Tilt	Rotate
1. Skate SF90	White A335W	-	-	-
	Black A335B			
2. Skate SF90 IP54	White A336W	-	-	-
	Black A336B			

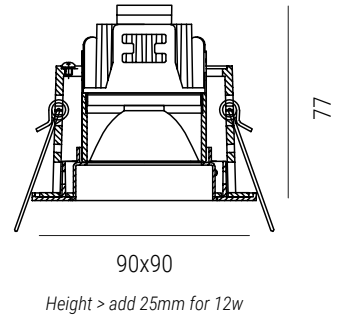
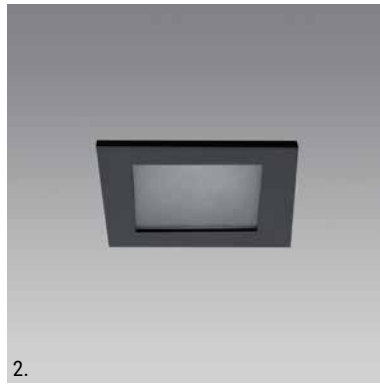
*IP54 includes clear glass cover to aperture (frosted glass available on request)
Control gear is remote. Integrated Control Gear options are available - contact us for details.



Variant	Finish	Cut-out	Tilt	Rotate
5. Skate SF102	White <i>A337W</i>	-	-	-
	Black <i>A337B</i>			
6. Skate SF102 IP54	White <i>A338W</i>	-	-	-
	Black <i>A338B</i>			

*IP54 includes clear glass cover to aperture (frosted glass available on request)
Control gear is remote. Integrated Control Gear options are available - contact us for details.





Variant	Finish	Cut-out	Tilt	Rotate
1. Kubik	White A339W	78 x 78mm	-	-
	Black A339B			
2. Kubik IP44	White A340W	78 x 78mm	-	-
	Black A340B			

*IP44 includes frosted glass as standard (clear glass available on request)



Vermont

Ø120mm
120 x 218mm
120 x 316mm

- Single/Double/Triple Downlights
- Ideal for Residential/Hospitality
- Tilt adjustable on two planes
- Front-loading for easy re-lamping
- Multiple finish options

General

Type	Adjustable Downlight
Mounting	Ceiling Recessed
IP-Rating	IP20
Construction	Diecast Aluminium
Operating Temp	-10°c to +40°c
Protection	Class 2
Certification	CE (EN 60598-1)
Warranty	5 years

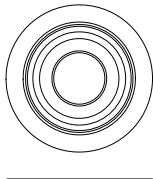
Order Code

①	→	②	→	③
Finish		LED Engine		Control Gear
		8.9w .9 80 CRI .8 2700k / 12° beam 27.12		Phase-cut .P
		12.2w .12 90 CRI .9 2700k / 24° beam 27.24		1-10v .A
		2700k / 38° beam 27.38		DALI .D
		3000k / 12° beam 30.12		Switching .S
		3000k / 24° beam 30.24		*None .N
		3000k / 38° beam 30.38		
		4000k / 12° beam 40.12		
		4000k / 24° beam 40.24		
		4000k / 38° beam 40.38		
①	→	②		
Finish		Lamp		
		GU10 (not incl) .10		
		MR16 (not incl) .16		

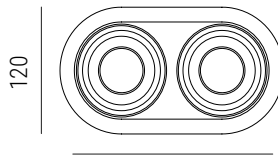
Add-ons	→	Honeycomb Filter .HC
		Frosted Lens .FL

Ordering Info:

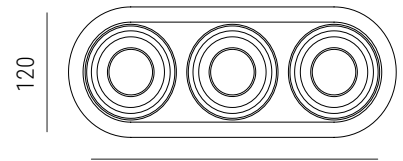
1. Example: G341W.9.827.38.P
2. *None: Where Control Gear is not required standard warranty terms will not apply (see warranty document > akclighting.com)
3. Add-ons: Include Add-on Code(s) after Order Code - more than one Add-on can be specified (where applicable)



Ø120 (H: 99)



218 (H: 99)



316 (H: 99)

Variant	Finish	Cut-out	Tilt	Rotate
1. Vermont Single	White G341W	Ø108mm	2 x 25°	-
	Black G341B			
	White/Black G341WB			
2. Vermont Double	White G342W	108 x 200mm	2 x 25°	-
	Black G342B			
	White/Black G342WB			
3. Vermont Triple	White G343W	108 x 292mm	2 x 25°	-
	Black G343B			
	White/Black G343WB			



White finish





Ryder

90 x 90mm
90 x 162mm
90 x 234mm

- Single/Double/Triple Downlights
- Ideal for Residential/Hospitality
- Tilt adjustable recessed baffle
- Front-loading for easy re-lamping
- Flat and deep housing options

General

Type	Adjustable Downlight
Mounting	Ceiling Recessed
IP-Rating	IP20
Construction	Diecast Aluminium
Operating Temp	-10°C to +40°C
Protection	Class 2
Certification	CE (EN 60598-1)
Warranty	5 years

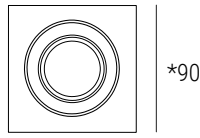
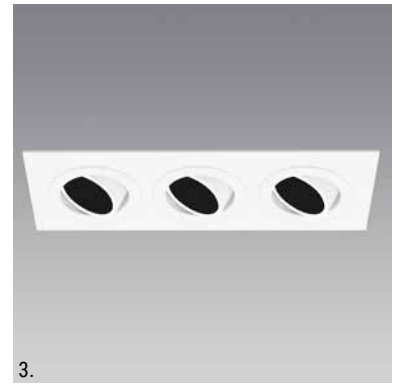
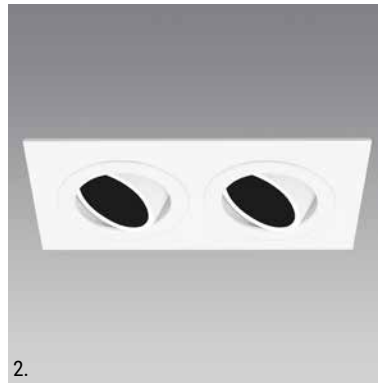
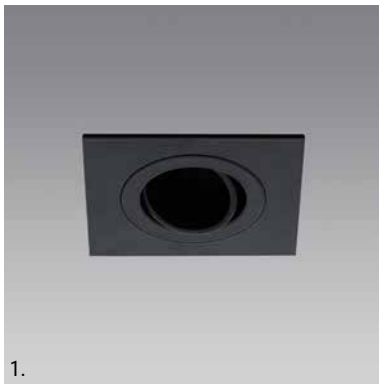
Order Code

1	→	2	→	3
Finish		LED Engine		Control Gear
		8.9w .9 80 CRI .8 2700k / 12° beam 27.12		Phase-cut .P
		12.2w .12 90 CRI .9 2700k / 24° beam 27.24		1-10v .A
		2700k / 38° beam 27.38		DALI .D
		3000k / 12° beam 30.12		Switching .S
		3000k / 24° beam 30.24		*None .N
		3000k / 38° beam 30.38		
		4000k / 12° beam 40.12		
		4000k / 24° beam 40.24		
		4000k / 38° beam 40.38		
1	→	2		
Finish		Lamp		
		GU10 (not incl) .10		
		MR16 (not incl) .16		

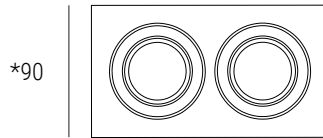
Ordering Info:

1. Example: **A344W.9.827.38.P**
2. *None: Where Control Gear is not required standard warranty terms will not apply (see warranty document > akclighting.com)
3. Add-ons: Include Add-on Code(s) after Order Code - more than one Add-on can be specified (where applicable)

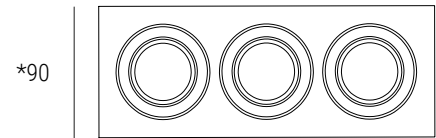
Add-ons	→	Honeycomb Filter .HC
		Frosted Lens .FL



90 (H: 95)

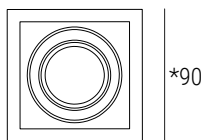
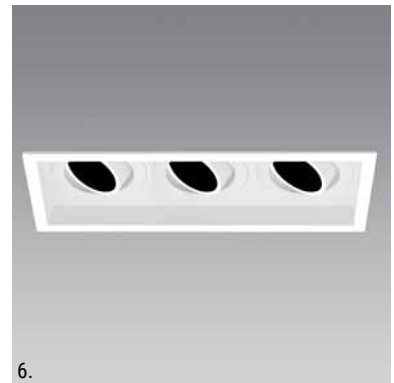
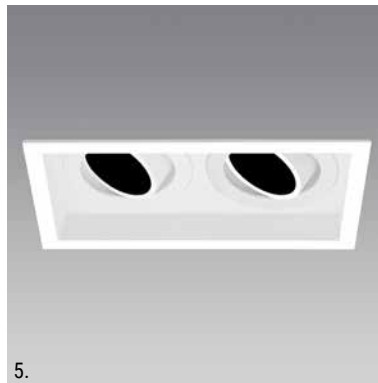


162 (H: 95)

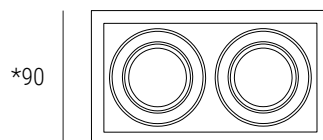


234 (H: 95)

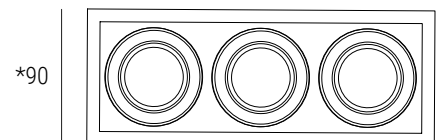
Variant	* Add +25mm height for 12w	Finish	Cut-out	Tilt	Rotate
1. Ryder Single		White A344W	80 x 80mm	25°	-
		Black A344B			
2. Ryder Double		White A345W	80 x 150mm	25°	-
		Black A345B			
3. Ryder Triple		White A346W	80 x 220mm	25°	-
		Black A346B			



90 (H: 105)



162 (H: 105)



234 (H: 105)

Variant	* Add +25mm height for 12w	Finish	Cut-out	Tilt	Rotate
4. Ryder Deep Single		White A347W	80 x 80mm	25°	-
		Black A347B			
5. Ryder Deep Double		White A348W	80 x 150mm	25°	-
		Black A348B			
6. Ryder Deep Triple		White A349W	80 x 220mm	25°	-
		Black A349B			

Bowdon

106 x 106mm
106 x 187mm
106 x 270mm

- Single/Double/Triple Downlights
- Ideal for Residential/Hospitality
- Tilt adjustable on two planes
- Front-loading for easy re-lamping
- Snoot variant available

General

Type	Adjustable Downlight
Mounting	Ceiling Recessed
IP-Rating	IP20 / IP54
Construction	Diecast Aluminium
Operating Temp	-10°C to +40°C
Protection	Class 2
Certification	CE (EN 60598-1)
Warranty	5 years

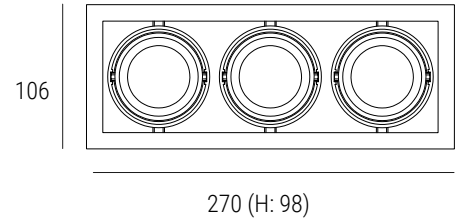
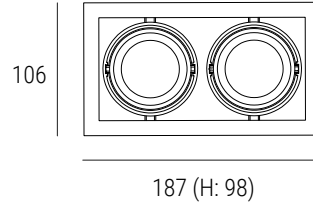
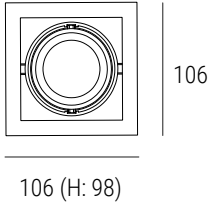
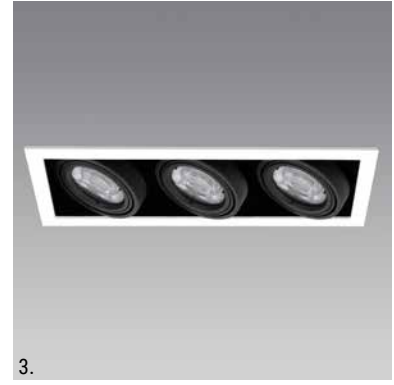
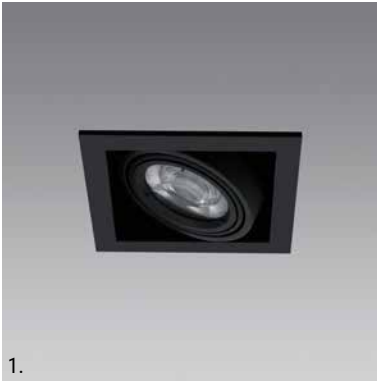
Order Code

①	→	②	→	③
Finish		LED Engine		Control Gear
		8.9w .9 80 CRI .8 2700k / 12° beam 27.12		Phase-cut .P
		12.2w .12 90 CRI .9 2700k / 24° beam 27.24		1-10v .A
		2700k / 38° beam 27.38		DALI .D
		3000k / 12° beam 30.12		Switching .S
		3000k / 24° beam 30.24		*None .N
		3000k / 38° beam 30.38		
		4000k / 12° beam 40.12		
		4000k / 24° beam 40.24		
		4000k / 38° beam 40.38		
①	→	②		
Finish		Lamp		
		GU10 (not incl) .10		
		MR16 (not incl) .16		

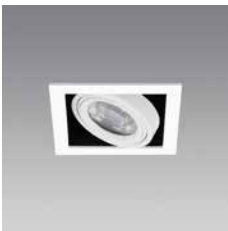
Add-ons	→	Honeycomb Filter .HC
		Frosted Lens .FL

Ordering Info:

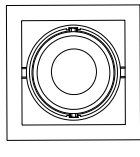
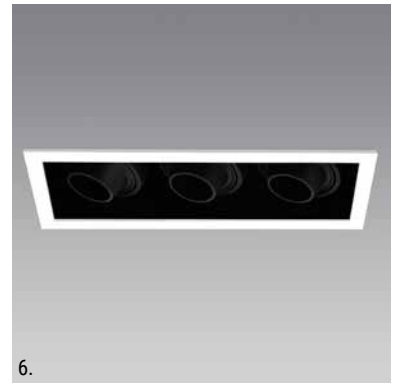
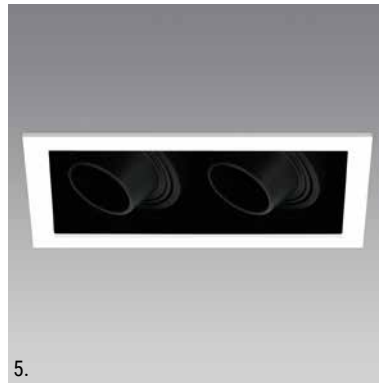
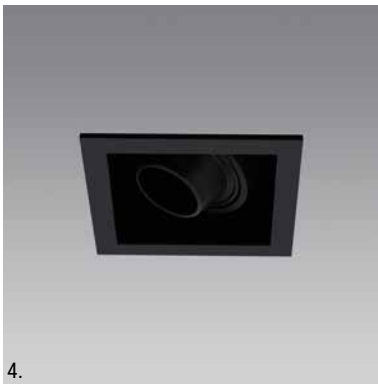
1. Example: G350W.9.827.38.P
2. *None: Where Control Gear is not required standard warranty terms will not apply (see warranty document > akclighting.com)
3. Add-ons: Include Add-on Code(s) after Order Code - more than one Add-on can be specified (where applicable)



Variant	Finish	Cut-out	Tilt	Rotate
1. Bowdon Single	White G350W	98 x 98mm	2 x 25°	-
	Black G350B			
	White/Black G350WB			
2. Bowdon Double	White G351W	98 x 180mm	2 x 25°	-
	Black G351B			
	White/Black G351WB			
3. Bowdon Triple	White G352W	98 x 262mm	2 x 25°	-
	Black G352B			
	White/Black G352WB			

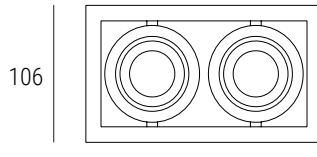


White finish



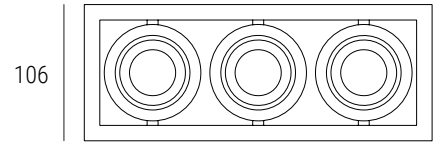
106

106 (H: 123)



106

187 (H: 123)



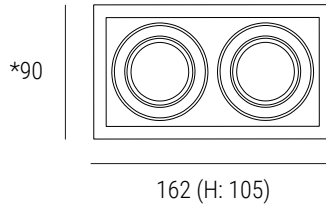
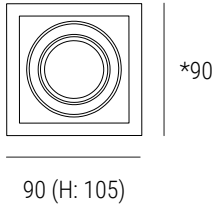
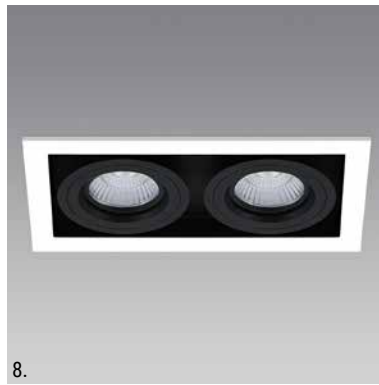
106

270 (H: 123)

Variant	Finish	Cut-out	Tilt	Rotate
4. Bowdon Snoot Single	White G353W	98 x 98mm	2 x 25°	-
	Black G353B			
	White/Black G353WB			
5. Bowdon Snoot Double	White G354W	98 x 180mm	2 x 25°	-
	Black G354B			
	White/Black G354WB			
6. Bowdon Snoot Triple	White G355W	98 x 262mm	2 x 25°	-
	Black G355B			
	White/Black G355WB			



White finish



Variant	*Add +25mm height for 12w	Finish	Cut-out	Tilt	Rotate
7. Bowdon IP54 Single		White	G356W	99 x 99mm	-
		Black	G356B		
8. Bowdon IP54 Double		White	G357W	99 x 175mm	-
		Black	G357B		



Bowdon TL

95 x 95mm
95 x 177mm
95 x 259mm

- Single/Double/Triple Downlights
- Trimless, minimalist design
- Tilt adjustable on two planes
- Front-loading for easy re-lamping
- Snoot variant available

General

Type	Adjustable Downlight
Mounting	Ceiling Recessed
IP-Rating	IP20
Construction	Diecast Aluminium
Operating Temp	-10°C to +40°C
Protection	Class 2
Certification	CE (EN 60598-1)
Warranty	5 years

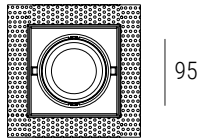
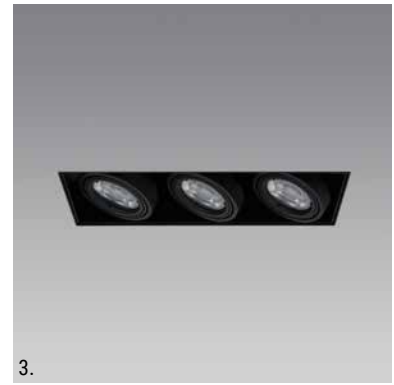
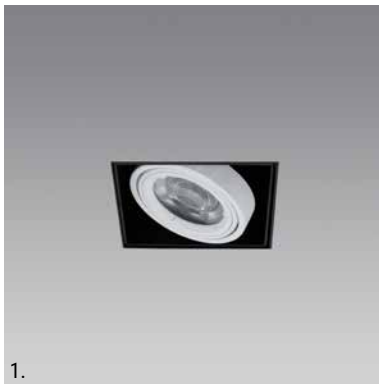
Order Code

①	→	②	→	③
Finish		LED Engine		Control Gear
		8.9w .9 80 CRI .8 2700k / 12° beam 27.12		Phase-cut .P
		12.2w .12 90 CRI .9 2700k / 24° beam 27.24		1-10v .A
		2700k / 38° beam 27.38		DALI .D
		3000k / 12° beam 30.12		Switching .S
		3000k / 24° beam 30.24		*None .N
		3000k / 38° beam 30.38		
		4000k / 12° beam 40.12		
		4000k / 24° beam 40.24		
		4000k / 38° beam 40.38		
①	→	②		
Finish		Lamp		
		GU10 (not incl) .10		
		MR16 (not incl) .16		

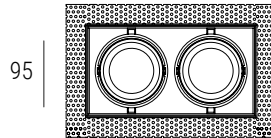
Add-ons	→	Honeycomb Filter .HC
		Frosted Lens .FL

Ordering Info:

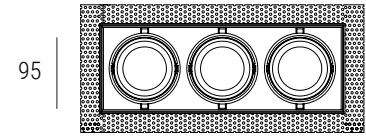
1. Example: G358B.9.827.38.P
2. *None: Where Control Gear is not required standard warranty terms will not apply (see warranty document > akclighting.com)
3. Add-ons: Include Add-on Code(s) after Order Code - more than one Add-on can be specified (where applicable)



95 (H: 95)

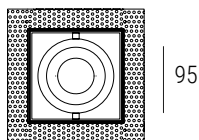
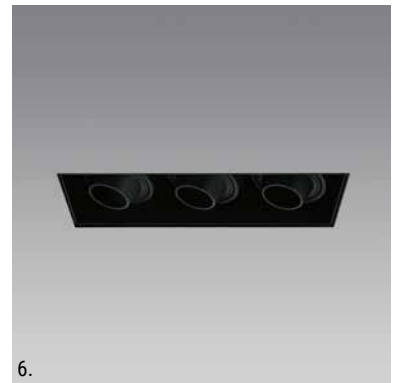
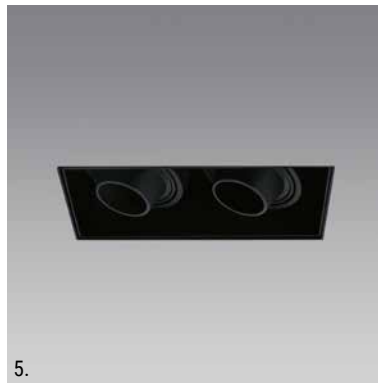
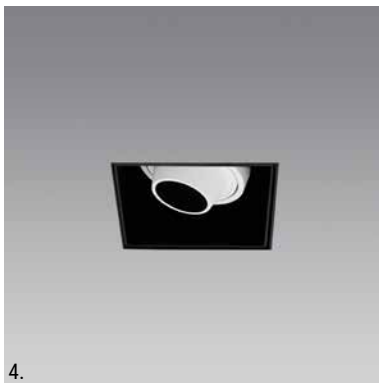


177 (H: 95)

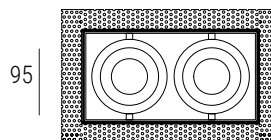


259 (H: 95)

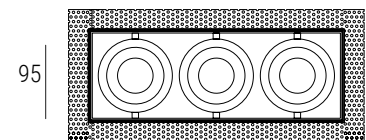
Variant	Finish	Cut-out	Tilt	Rotate
1. Bowdon TL Single	Black G358B	97 x 97mm	25°	-
	White / Black G358WB			
2. Bowdon TL Double	Black G359B	97 x 179mm	25°	-
	White / Black G359WB			
3. Bowdon TL Triple	Black G360B	97 x 261mm	25°	-
	White / Black G360WB			



95 (H: 100)



177 (H: 100)



259 (H: 100)

Variant	Finish	Cut-out	Tilt	Rotate
4. Bowdon TL Single	Black G361B	97 x 97mm	25°	-
	White / Black G361WB			
5. Bowdon TL Double	Black G362B	97 x 179mm	25°	-
	White / Black G362WB			
6. Bowdon TL Triple	Black G363B	97 x 261mm	25°	-
	White / Black G363WB			

Box Clever

126 x 126mm

126 x 224mm

126 x 322mm

- Single/Double/Triple Downlights
- Surface-mounted housings
- Fixed, Tilt and Gimbal options
- Front-loading for easy re-lamping
- Remote or integrated driver

General

Type	Fixed / Adjustable Downlight
Mounting	Ceiling Surface
IP-Rating	IP20
Construction	Diecast Aluminium
Operating Temp	-10°C to +40°C
Protection	Class 2
Certification	CE (EN 60598-1)
Warranty	5 years

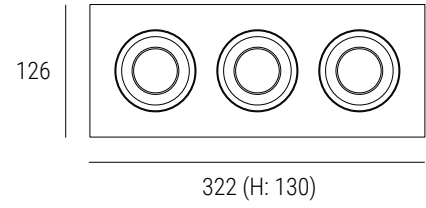
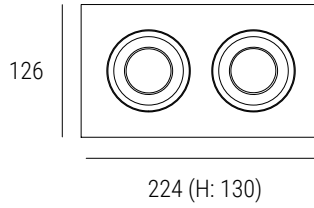
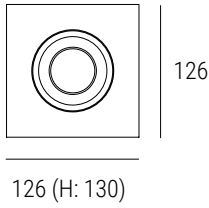
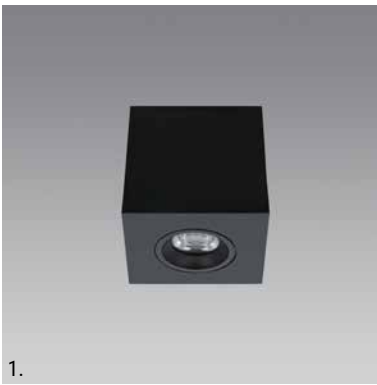
Order Code

①	→	②	→	③
Finish		LED Engine		Control Gear
		8.9w .9 80 CRI .8 2700k / 12° beam 27.12		Phase-cut .P
		12.2w .12 90 CRI .9 2700k / 24° beam 27.24		1-10v .A
		2700k / 38° beam 27.38		DALI .D
		3000k / 12° beam 30.12		Switching .S
		3000k / 24° beam 30.24		*None .N
		3000k / 38° beam 30.38		
		4000k / 12° beam 40.12		
		4000k / 24° beam 40.24		
		4000k / 38° beam 40.38		
①	→	②		
Finish		Lamp		
		GU10 (not incl) .10		
		MR16 (not incl) .16		

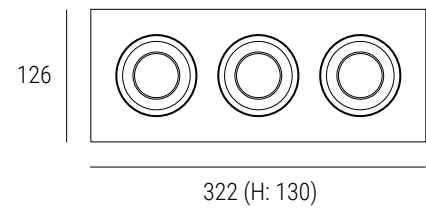
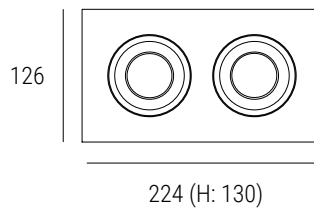
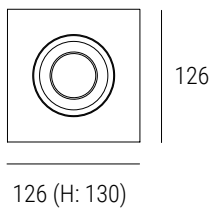
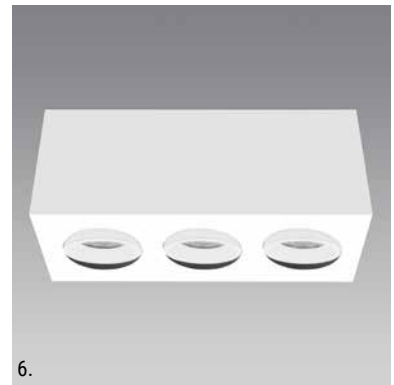
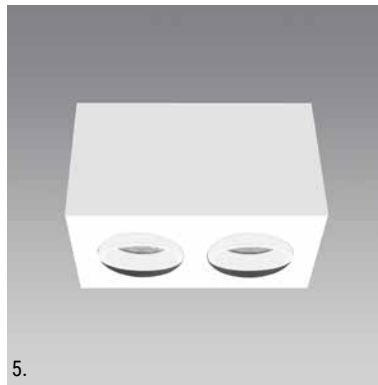
Add-ons	→	Honeycomb Filter .HC
		Frosted Lens .FL

Ordering Info:

1. Example: G364W.9.827.38.P
2. *None: Where Control Gear is not required standard warranty terms will not apply (see warranty document > akclighting.com)
3. Add-ons: Include Add-on Code(s) after Order Code - more than one Add-on can be specified (where applicable)



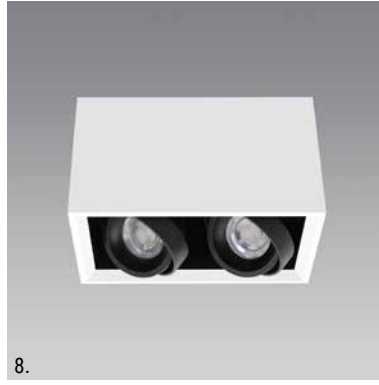
Variant	Finish	Cut-out	Tilt	Rotate
1. Box Clever Single	White G364W	-	-	-
	Black G364B			
2. Box Clever Double	White G365W	-	-	-
	Black G365B			
3. Box Clever Triple	White G366W	-	-	-
	Black G366B			



Variant	Finish	Cut-out	Tilt	Rotate
4. Box Clever Tilt Single	White G367W	-	25°	-
	Black G367B			
5. Box Clever Tilt Double	White G368W	-	25°	-
	Black G368B			
6. Box Clever Tilt Triple	White G369W	-	25°	-
	Black G369B			



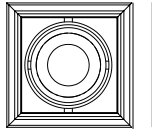
7.



8.

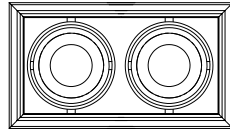


9.



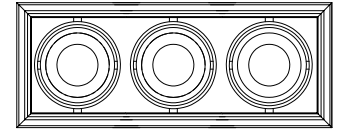
126

126 (H: 130)



126

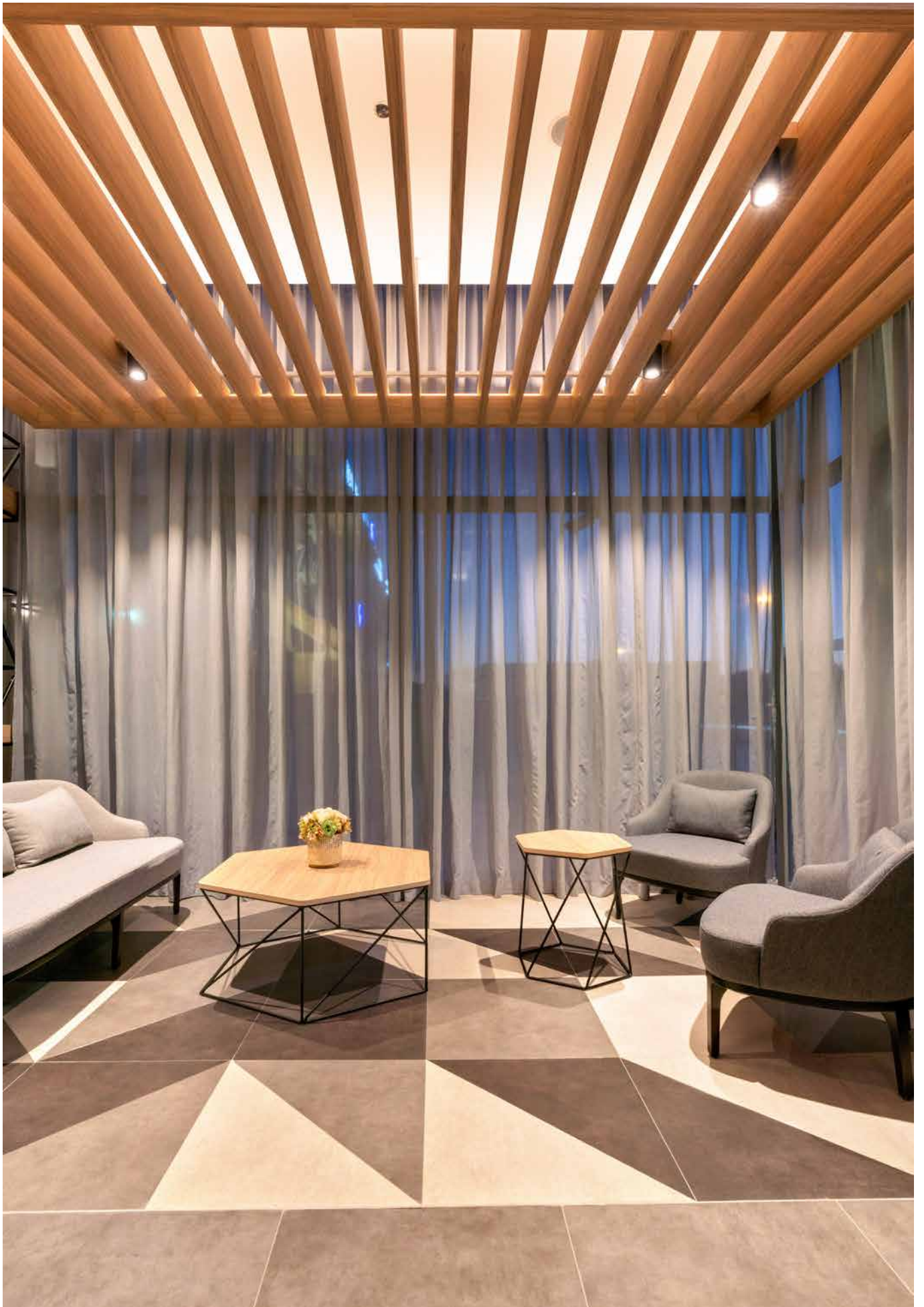
224 (H: 130)



126

322 (H: 130)

Variant	Finish	Cut-out	Tilt	Rotate
7. Box Clever Adj Single	Black G370B	-	2 x 25°	-
	White / Black G370WB			
8. Box Clever Adj Double	Black G371B	-	2 x 25°	-
	White / Black G371WB			
9. Box Clever Adj Triple	Black G372B	-	2 x 25°	-
	White /Black G372WB			



Marker

86 x 86mm
77 x 170mm

- Family of wall markers
- Ideal for Residential/Hospitality
- Trimless variant available
- Low output for visual comfort
- Two housing sizes available

General

Type	Fixed Wall Light
Mounting	Wall Recessed
IP-Rating	IP20
Construction	Diecast Aluminium
Operating Temp	-10°C to +40°C
Protection	Class 2
Certification	CE (EN 60598-1)
Warranty	5 years

LED SMD

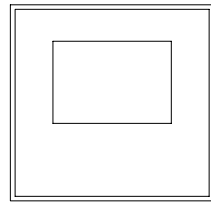
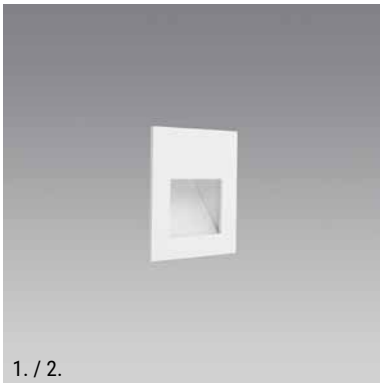
Power Output	3w
CCT	2700k 3000k 4000k
Lumen Output	- 120 lm -
CRI	80
Lifetime	30,000h
Control Gear	Remote Driver (12vDC)

Order Code

①	→	②	→	③
Finish		CCT		Control Gear
		2700k	.827	Switching .S
		3000k	.830	*None .N
		4000k	.840	

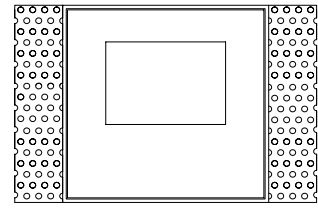
Ordering Info:

1. Example: **A372W.827.S**
2. *None: Where Control Gear is not required standard warranty terms will not apply (see warranty document)
3. Driver can be integrated on request
4. Multiple fixtures can be connected to one driver if wired in parallel > contact us for technical details



86 (Depth 50)

86

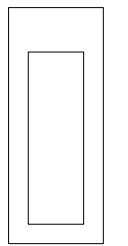


Trimless Kit
86 (Depth 50)

86

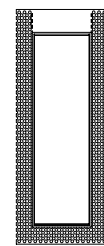
Variant	Finish	Cut-out	Tilt	Rotate
1. Marker_A	White A372W	87 x 87mm	-	-
	Black A372B			
2. *Marker_A TL	White A373TLW	*custom	-	-
	Black A373TLB			

*Customised trimless kits are available according to your requirements, to suit various wall depths (Gypsum, MDF, etc). Contact us for details



77 (Depth 55)

170



Trimless Kit
77 (Depth 55)

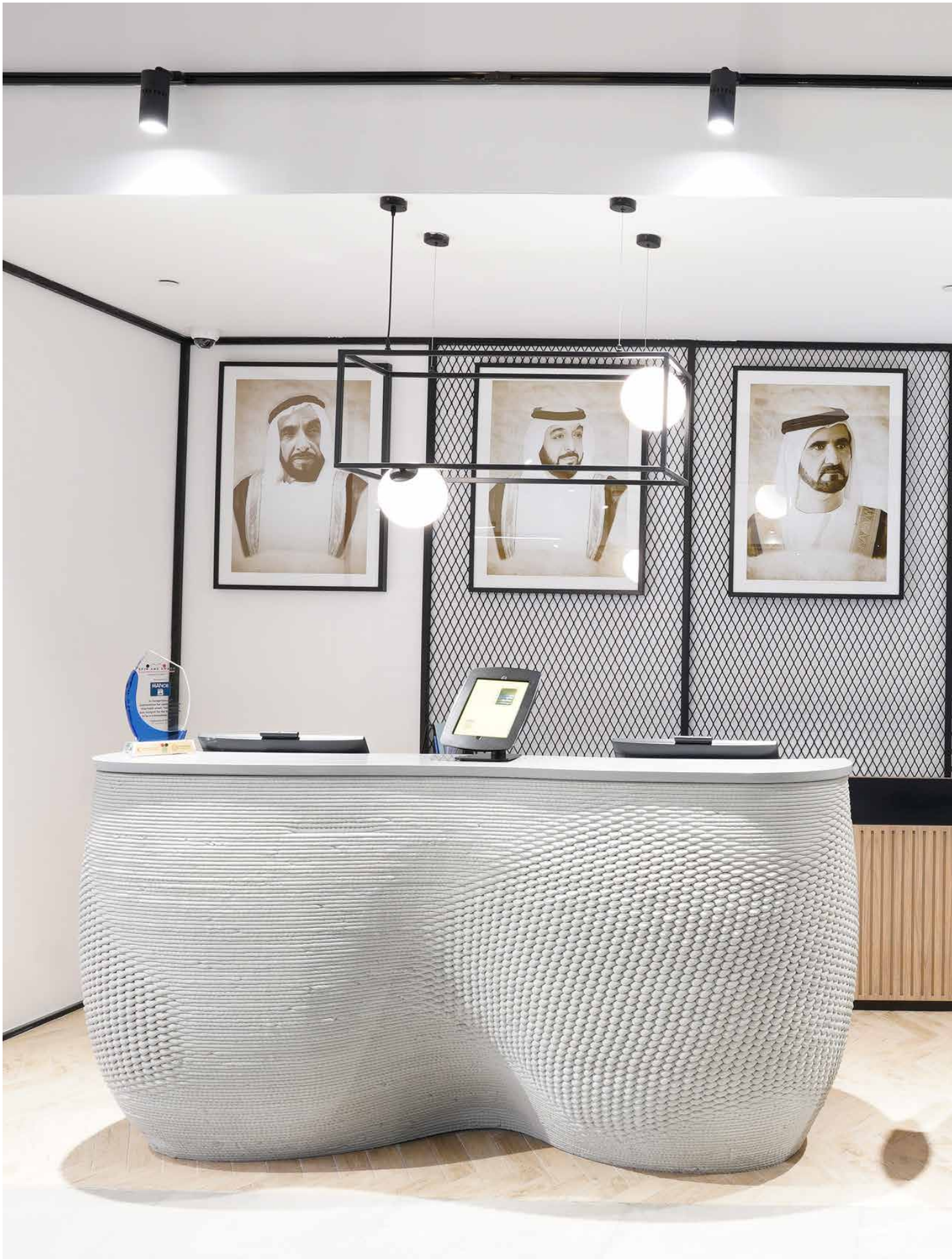
170

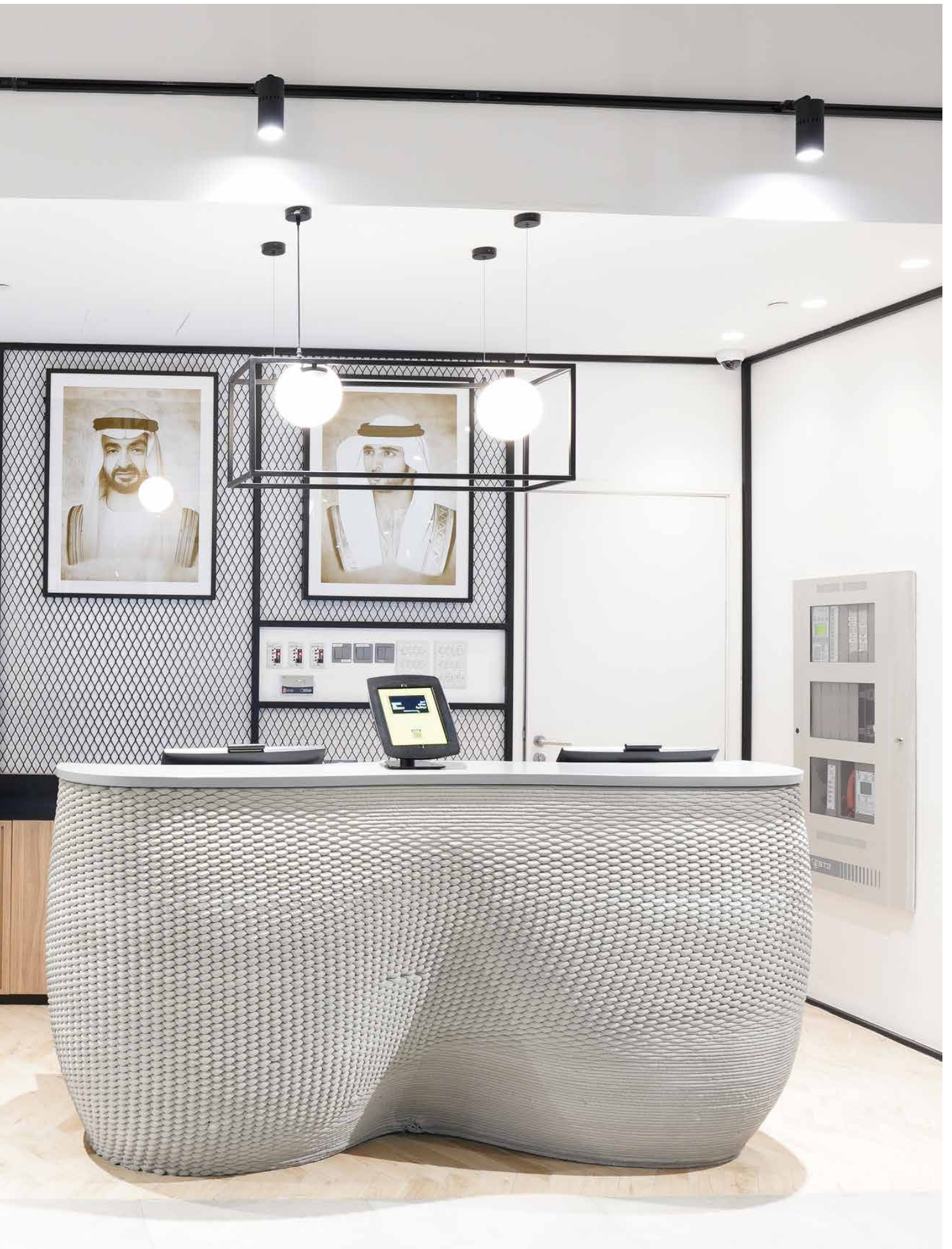
Variant	Finish	Cut-out	Tilt	Rotate
3. Marker_B	White A374W	79 x 172	-	-
	Black A374B			
4. *Marker_B TL	White A374TLW	*custom	-	-
	Black A374TLB			

*Customised trimless kits are available according to your requirements, to suit various wall depths (Gypsum, MDF, etc). Contact us for details



Black finish





Petite

Ø62mm
Ø74mm

- Compact COB Downlights
- Ideal for Residential/Hospitality
- Fixed variant IP54 as standard
- Pinhole variant available
- Suitable for low void ceilings

General

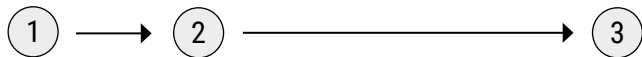
Type	Fixed / Adjustable Downlight
Mounting	Ceiling Recessed
IP-Rating	IP54 (Fixed) / IP20 (Adj)
Construction	Diecast Aluminium
Operating Temp	-10°C to +40°C
Protection	Class 2
Certification	CE (EN 60598-1)
Warranty	5 years

Technical Data

Power Output	9.2w		
Beam	13°	25°	38°
*Lumen Output	785 lm	789 lm	792 lm
CRI	80 (90 on request)		
Lifetime	50,000h (B80, L10)		
Control Gear	Remote Driver		
Drive Current	500mA		
Forward Voltage	18.4v		

*Delivered lumens, 3000k (80 CRI)

Order Code



Finish

LED COB

80 CRI	.8	2700k / 13° beam	27.13
90 CRI	.9	2700k / 25° beam	27.25
		2700k / 38° beam	27.38
		3000k / 13° beam	30.13
		3000k / 25° beam	30.25
		3000k / 38° beam	30.38
		4000k / 13° beam	40.13
		4000k / 25° beam	40.25
		4000k / 38° beam	40.38

Control Gear (Pls state if 350ma or 500ma is required, eg. .P500)

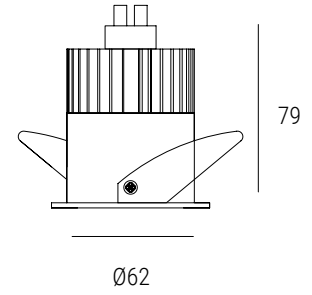
Phase-cut	.P
1-10v	.A
DALI	.D
Switching	.S
*None	.N

Ordering Info:

1. Example: **A375W.827.38.P**
2. *None: Where Control Gear is not required standard warranty terms will not apply (see warranty document)
3. Add-ons: Include Add-on Code(s) after Order Code - more than one Add-on can be specified
4. LED: 2700k / 4000k .ies file(s) on request - contact us
5. This fixture uses a reflector for secondary optics

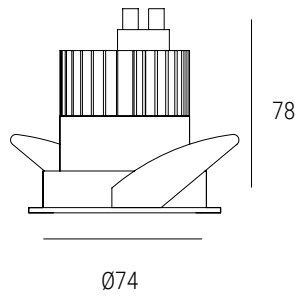
Add-ons

Honeycomb Filter	.HC
Frosted Lens	.FL



Variant	Finish	Cut-out	Tilt	Rotate
1. Petite	White A375W	Ø54mm	-	-
	Black A376B			
2. *Petite Pinhole	White A376W	Ø54mm	-	-
	Black A376B			

*25mm aperture



Variant	Finish	Cut-out	Tilt	Rotate
3. Petite Adjustable	White A377W	Ø67mm	25°	-
	Black A377B			

Pluto

Ø140mm
Ø165mm
Ø185mm

- High-output Downlights - 3 sizes
- Ideal for Commercial/Hospitality
- IP54-rated as standard
- Choice of reflector finishes
- 2835 SMD LED Engine (3 SDCM)

General

Type	Fixed Downlight
Mounting	Ceiling Recessed
IP-Rating	IP54
Construction	Diecast Aluminium
Operating Temp	-10°C to +40°C
Protection	Class 2
Certification	CE (EN 60598-1)
Warranty	5 years

LED SMD

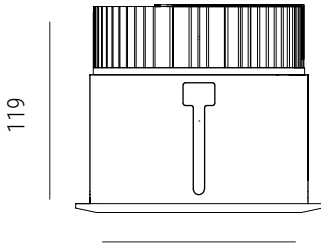
Power Output	See Page 59 >
Beam	80° (PC diffuser)
*Lumen Output	See Page 59 >
CRI	80 (90 on request)
Lifetime	50,000h (B80, L10)
Control Gear	Remote Driver
Drive Current	700mA (max)
Forward Voltage	18v (min 15v)

Order Code

①	→	②	→	③
Finish		LED SMD		Control Gear
		80 CRI		Phase-cut .P
		2700k .827		1-10v .A
		3000k .830		DALI .D
		4000k .840		Switching .S
		90 CRI		*None .N
		2700k .927		
		3000k .930		
		4000k .940		

Ordering Info:

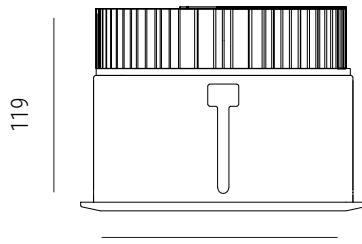
1. Example: **A387WSR.830.D**
2. *None: Where Control Gear is not required standard warranty terms will not apply (see warranty document)
3. LED: 2700k / 4000k .ies file(s) on request - contact us



Ø140

Power Output: 10.3w

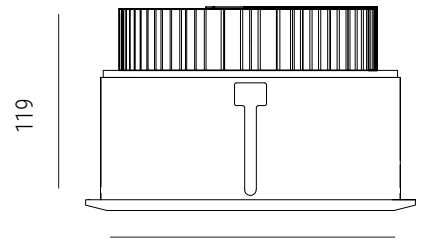
*Lumen Output: 1456lm



Ø165

Power Output: 12.8w

*Lumen Output: 1750lm



Ø185

Power Output: 21.7w

*Lumen Output: 2054lm

*Lumen Output = delivered lumens, 3000k with Polished Reflector (80 CRI)
 • Shown with Satin Reflector

Variant	Finish	Cut-out	Tilt	Rotate
1. Pluto 140	White + Satin Reflector A387WSR	Ø130mm	-	-
	White + Polished Reflector A387WPR			
2. Pluto 165	White + Satin Reflector A388WSR	Ø155mm	-	-
	White + Polished Reflector A388WPR			
3. Pluto 185	White + Satin Reflector A389WSR	Ø170mm	-	-
	White + Polished Reflector A389WPR			

Zeta

Ø77mm

Ø63mm

- Compact adjustable Downlight
- Ideal for Residential/Hospitality
- Tilt and rotate movement
- Linkable configuration possible
- Trimless variant available

General

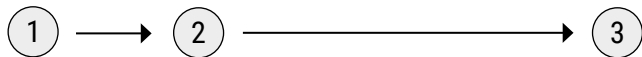
Type	Adjustable Downlight
Mounting	Ceiling Recessed
IP-Rating	IP20
Construction	Diecast Aluminium
Operating Temp	-10°C to +40°C
Protection	Class 2
Certification	CE (EN 60598-1)
Warranty	5 years

Technical Data

Power Output	4.5w
Beam	15° 30° 50°
*Lumen Output	450lm
CRI	90
Lifetime	50,000h (B80, L10)
Control Gear	Remote Driver
Drive Current	150mA
Forward Voltage	12v

*Delivered lumens, 3000k (subject to change)

Order Code



Finish

LED COB

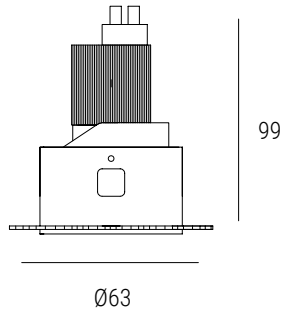
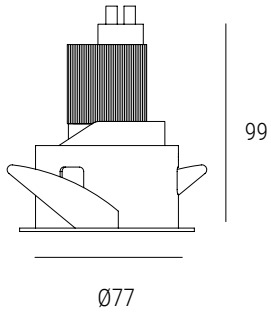
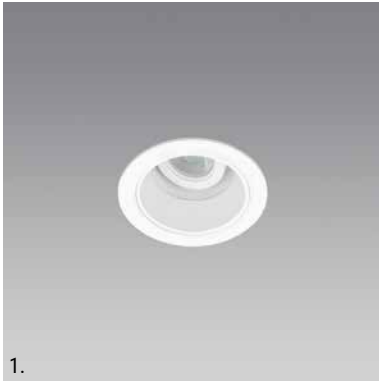
2700k / 15° beam	927.15
2700k / 30° beam	927.30
2700k / 50° beam	927.50
3000k / 15° beam	930.15
3000k / 30° beam	930.30
3000k / 50° beam	930.50
4000k / 15° beam	940.15
4000k / 30° beam	940.30
4000k / 50° beam	940.50

Control Gear

Phase-cut	.P
1-10v	.A
DALI	.D
Switching	.S
*None	.N

Ordering Info:

1. Example: **A378W.827.38.P**
2. *None: Where Control Gear is not required standard warranty terms will not apply (see warranty document)
3. Add-ons: Include Add-on Code(s) after Order Code - more than one Add-on can be specified
4. LED: 2700k / 4000k .ies file(s) on request - contact us
5. This fixture uses a reflector for secondary optics



Variant	Finish	Cut-out	Tilt	Rotate
1. Zeta	White <i>A378W</i>	Ø71mm	30°	355°
	Black <i>A378B</i>			
2. Zeta TL	White <i>A379W</i>	Ø65mm	30°	355°
	Black <i>A379B</i>			

Tiny

Ø36mm

Ø46mm

- Micro Downlights
- Ideal for Residential/Hospitality
- Suitable for Gypsum/Panel
- Ideal for joinery applications
- Flush-mount option available

General

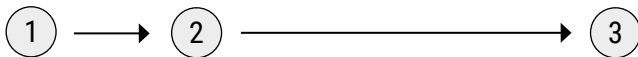
Type	Fixed / Adjustable Downlight
Mounting	Ceiling Recessed
IP-Rating	IP20
Construction	Diecast Aluminium
Operating Temp	-10°C to +40°C
Protection	Class 2
Certification	CE (EN 60598-1)
Warranty	5 years

LED COB

Power Output	1w (@350mA) / 2.1w (@700mA)		
Beam	15°	27°	43°
*Lumen Output	118 lm	118 lm	118 lm
CRI	80		
Lifetime	50,000h (B80, L10)		
Control Gear	Remote Driver		
Drive Current	350mA		
Forward Voltage	-		

*Lumen output = delivered lumens @ 1w / 3000k

Order Code

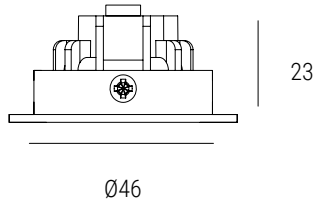
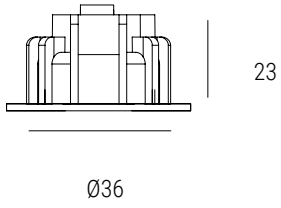
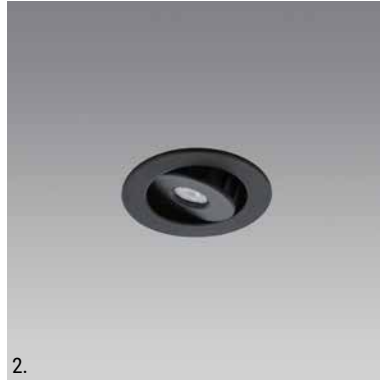
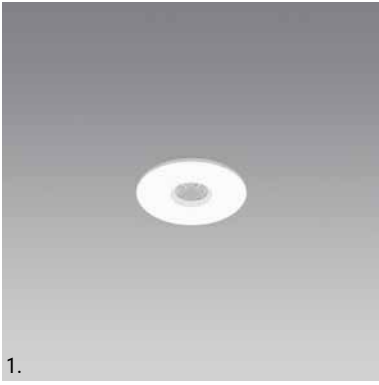


Finish	LED COB	Control Gear (non-dimmable only)
	2700k / 15° beam	350mA
	2700k / 27° beam	700mA
	2700k / 43° beam	
	3000k / 15° beam	
	3000k / 27° beam	
	3000k / 43° beam	
	4000k / 15° beam	
	4000k / 27° beam	
	4000k / 43° beam	

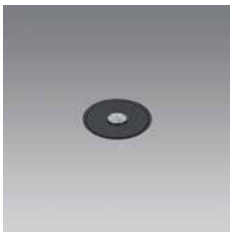
Ordering Info:

1. Example: **A384W.827.43.350**
2. Fixture comes with non-dimmable Control Gear as standard > this fixture is not dimmable.
3. Fixture can be mounted in Gypsum (9-18mm) and Panel (9-18mm)
4. LED: 2700k / 4000k .ies file(s) on request - contact us
5. Lumen output @ 700mA = 188 lm

Add-ons → Flush-mount Kit **.FMK**



Variant	Finish	Cut-out	Tilt	Rotate
1. Tiny	White A384W	Ø71mm	30°	355°
	Black A384B			
2. Tiny Adj	White A386W	Ø65mm	30°	355°
	Black A386B			



Add-on > Flush-mount Kit (.FMK)

Ø130mm > For Tiny Series





Circa

Ø110mm

Ø140mm

- Family of mid-output Downlights
- Ideal for Commercial/Hospitality
- Suitable for general lighting
- Polished reflector as standard
- Two housing sizes

General

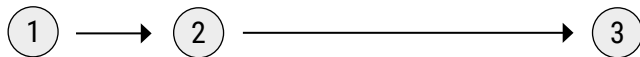
Type	Fixed Downlight
Mounting	Ceiling Recessed
IP-Rating	IP20
Construction	Diecast Aluminium
Operating Temp	-10°C to +40°C
Protection	Class 2
Certification	CE (EN 60598-1)
Warranty	5 years

LED COB

CRI	80 / 90
Lifetime	50,000h (B80, L10)
Control Gear	Remote Driver
Drive Current	500mA / 700mA
Forward Voltage	27.2v / 28.4v

*Lumen output = delivered lumens @ 1w / 3000k

Order Code



Finish

LED COB

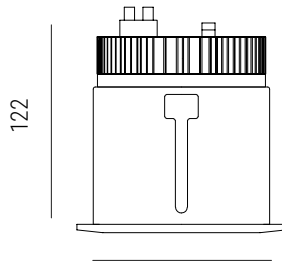
Control Gear

80 CRI	
2700k	.827
3000k	.830
4000k	.840
90 CRI	
2700k	.927
3000k	.930
4000k	.940

Phase-cut	.P
1-10v	.A
DALI	.D
Switching	.S
*None	.N

Ordering Info:

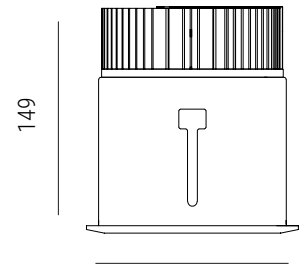
1. Example: **A390W.827.P**
2. Fixture comes with non-dimmable Control Gear as standard > this fixture is not dimmable.
3. Fixture can be mounted in Gypsum (9-18mm) and Panel (9-18mm)
4. LED: 2700k / 4000k .ies file(s) on request - contact us



Ø112

Power Output: 13.6w

*Lumen Output: 978lm



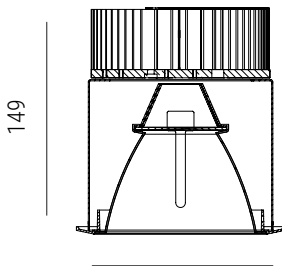
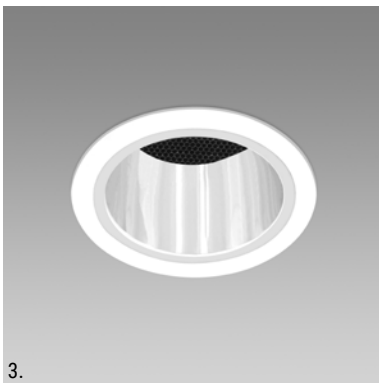
Ø140

Power Output: 19.9w

*Lumen Output: 1467lm

*Lumen Output = delivered lumens, 3000k with Polished Reflector (80 CRI)

Variant	Finish	Cut-out	Tilt	Rotate
1. Circa 110D	IP54 / 57° beam White + Polished Reflector	A390W Ø100mm	-	-
2. Circa 140D	IP54 / 42° beam White + Polished Reflector	A391W Ø130mm	-	-



Ø140

Power Output: 21.7w

*Lumen Output: 2250lm

*Lumen Output = delivered lumens, 3000k with Polished Reflector (80 CRI)

Variant	Finish	Cut-out	Tilt	Rotate
3. Circa 140 COB	IP20 / 50° beam White + Polished Reflector	A392 Ø130mm	-	-

Deco v2

Ø85mm
89 x 89mm

- Compact COB Downlights
- Ideal for Residential/Hospitality
- IP20 / IP44 options
- Variety of reflector/trim finishes
- Trim and trimless options

General

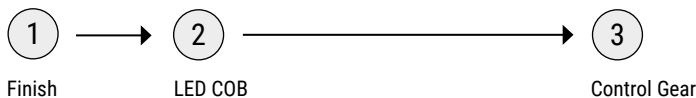
Type	Fixed / Adjustable Downlight
Mounting	Ceiling Recessed
IP-Rating	IP44 (Fixed) / IP20 (Adj / Wallwasher)
Construction	Diecast Aluminium
Operating Temp	-10°C to +40°C
Protection	Class 2
Certification	CE (EN 60598-1)
Warranty	5 years

Technical Data

Power Output	13w
Beam	13° 22° 38°
*Lumen Output	1110 lm (Fixed / Adj) / 1387 lm (Wallwasher)
CRI	90+
Lifetime	50,000h (B80, L10)
Control Gear	Remote Driver
Drive Current	350mA
Forward Voltage	36v

*Delivered lumens, 3000k (90 CRI)

Order Code



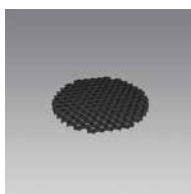
Finish	LED COB	Control Gear
	2700k / 13° beam 927.13	Phase-cut .P
	2700k / 22° beam 927.22	1-10v .A
	2700k / 38° beam 927.38	DALI .D
	3000k / 13° beam 930.13	Switching .S
	3000k / 22° beam 930.22	*None .N
	3000k / 38° beam 930.38	
	4000k / 13° beam 940.13	
	4000k / 22° beam 940.22	
	4000k / 38° beam 940.38	

Ordering Info:

1. Example: **A**
2. *None: Where Control Gear is not required standard warranty terms will not apply (see warranty document)
3. Add-ons: Include Add-on Code after Order Code - one Add-on ONLY can be specified for Deco v2.

***New: 10w / 657lm / 800mA / 11.3v > 6° beam angle
Special order item - contact us for further details.**

Add-ons

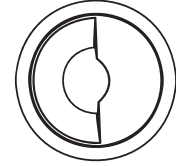
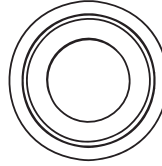
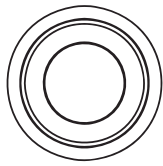
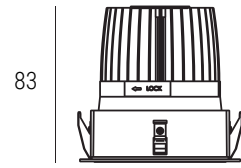
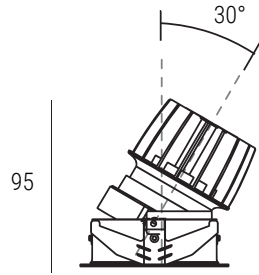
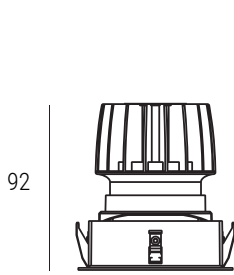


Honeycomb Filter
.HC

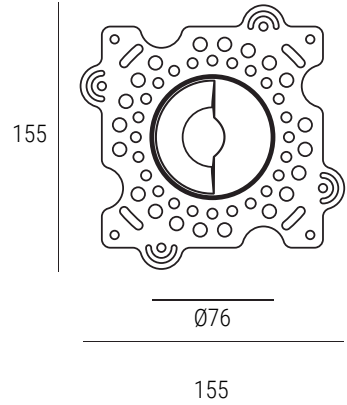
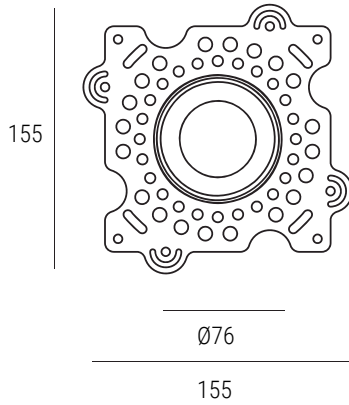
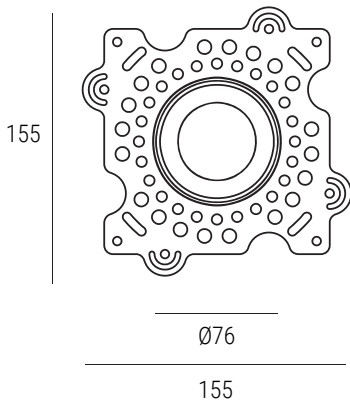
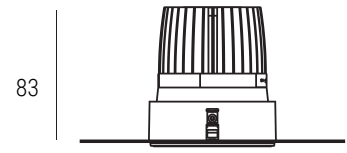
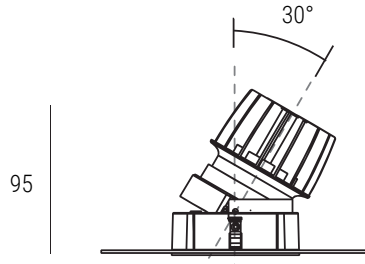
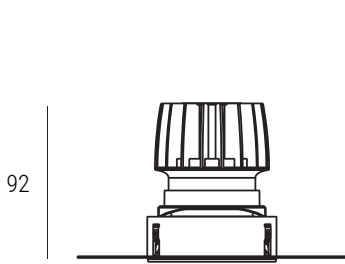


Frosted Lens
.FL





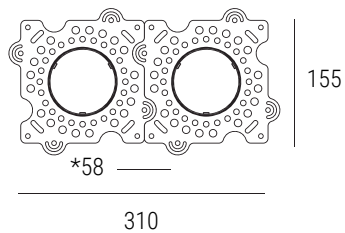
Variant	Finish	Cut-out	Tilt	Rotate
1. Deco_v2 Fixed	White Trim / White Reflector	DV2FWW	n/a	n/a
	White Trim / Black Reflector	DV2FWB		
	White Trim / Polished Reflector	DV2FWP		
	Black Trim / White Reflector	DV2FBW		
	Black Trim / Black Reflector	DV2FBB		
	Black Trim / Polished Reflector	DV2FBP		
2. Deco_v2 Adj	White Trim / White Reflector	DV2AWW	30°	n/a
	White Trim / Black Reflector	DV2AWB		
	White Trim / Polished Reflector	DV2AWP		
	Black Trim / White Reflector	DV2ABW		
	Black Trim / Black Reflector	DV2ABB		
	Black Trim / Polished Reflector	DV2ABP		
3. Deco_v2 Wallwasher	White Trim / Polished Reflector	DV2WWW	n/a	n/a
	Black Trim / Polished Reflector	DV2WWB		

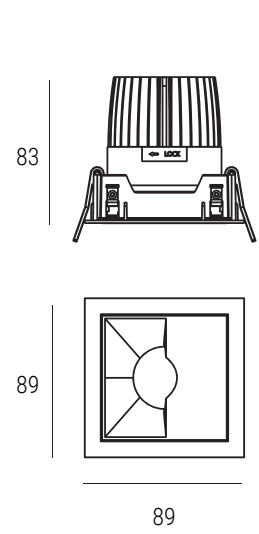
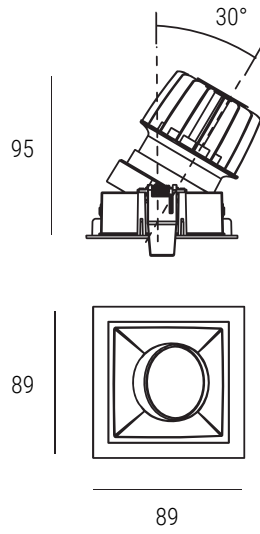
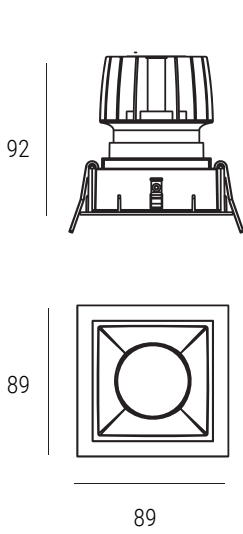
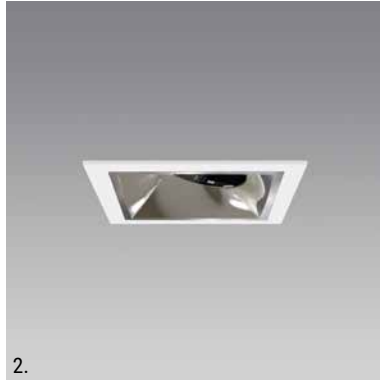


Variant	Finish	Cut-out	Tilt	Rotate
1. Deco_v2 Fixed_Trimless	White Reflector	DV2FTLW	n/a	n/a
	Black Reflector	DV2FTLB		
	Polished Reflector	DV2FTLP		
2. Deco_v2 Adj_Trimless	White Reflector	DV2ATLW	25°	355°
	Black Reflector	DV2ATLB		
	Polished Reflector	DV2ATLP		
3. Deco_v2 Wallwasher_Trimless	Polished Reflector	DV2WWTL	n/a	n/a

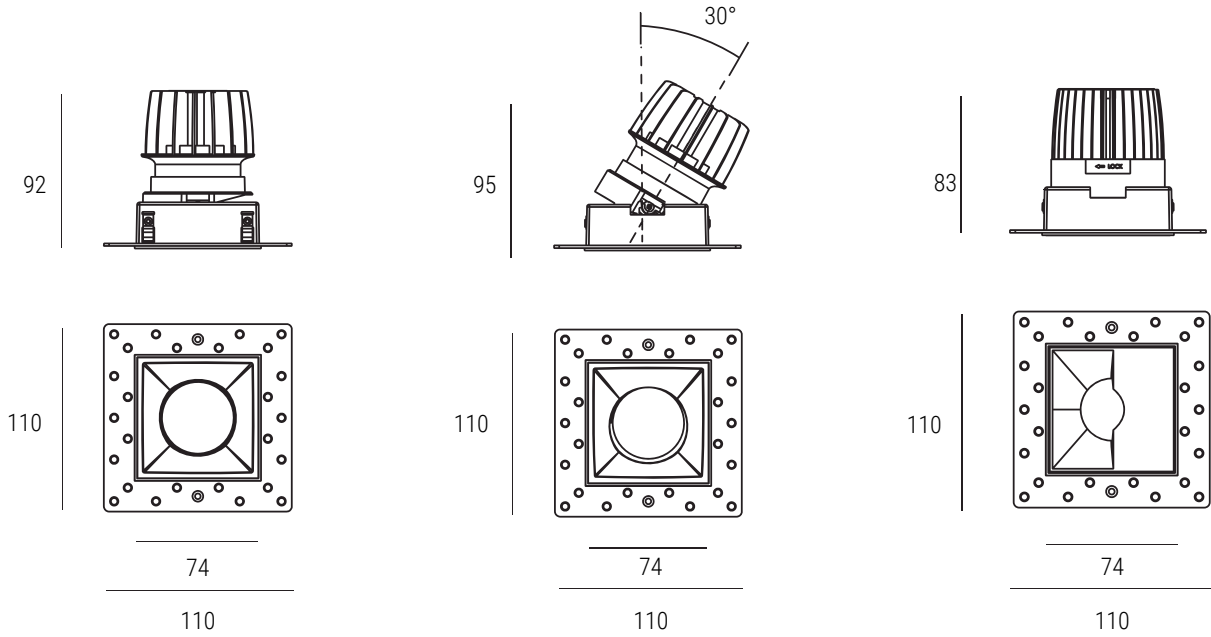
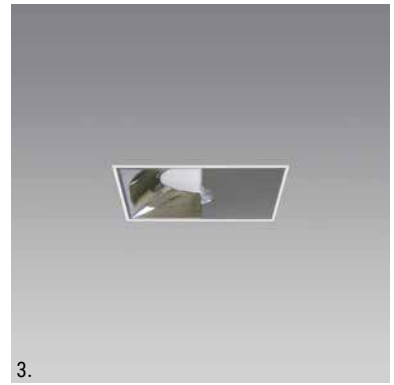
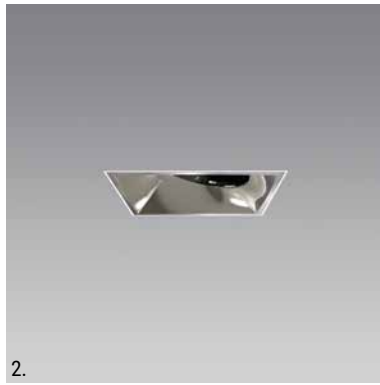
Double-lamp dimensions >

*lamp-to-lamp spacing

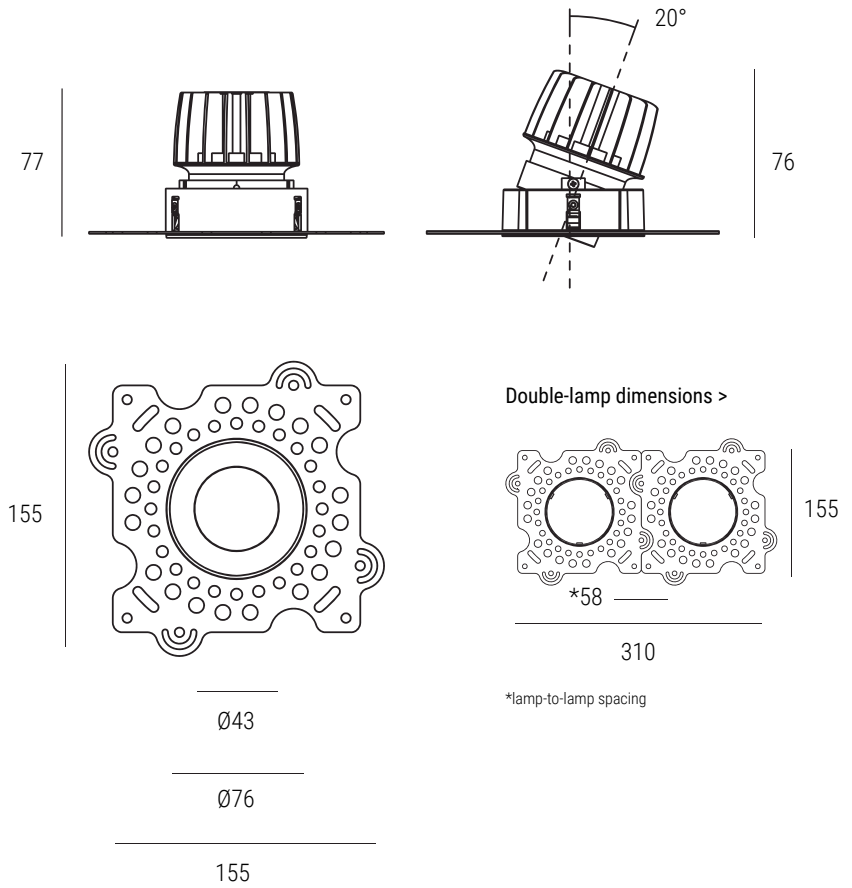
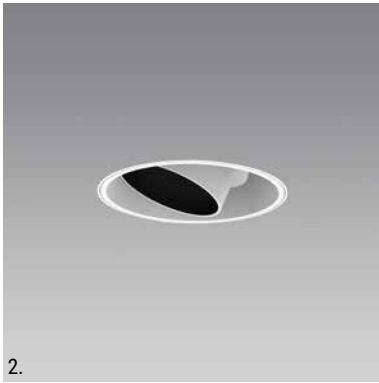
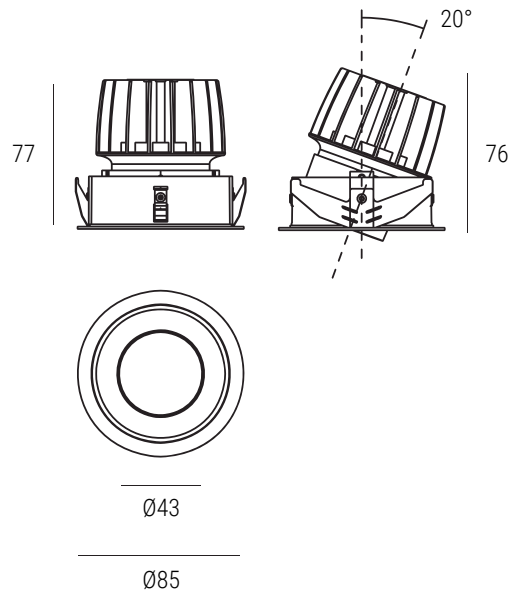
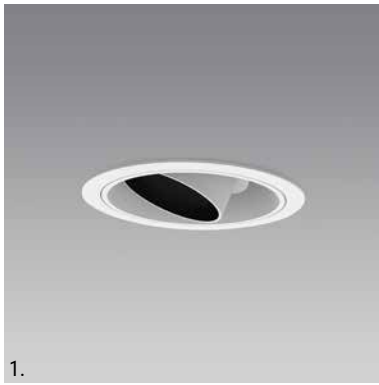




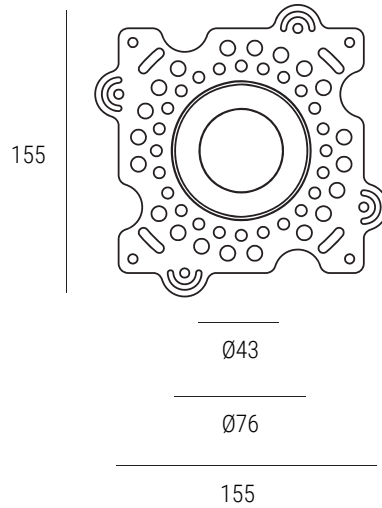
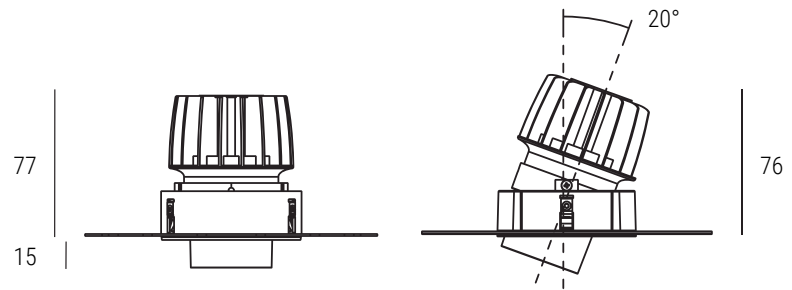
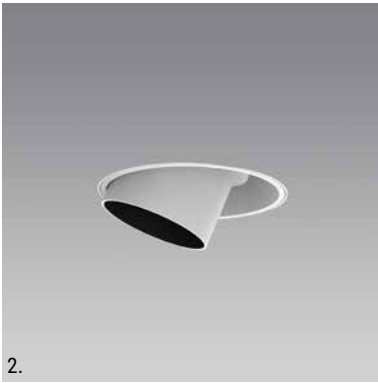
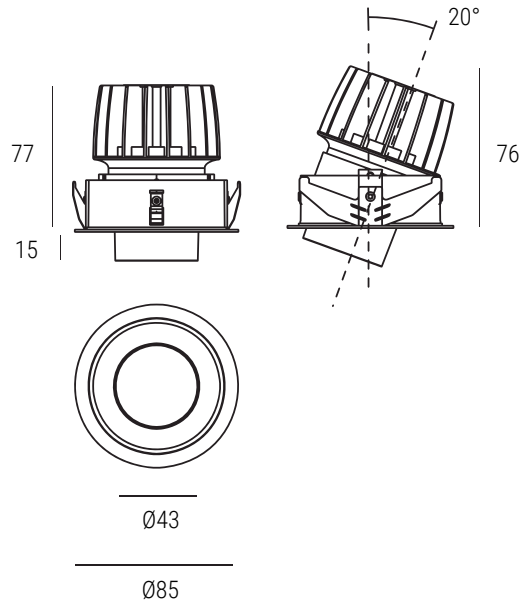
Variant	Finish	Cut-out	Tilt	Rotate
1. Deco_v2 SQ Fixed	White Trim / White Reflector <i>SDV2FWW</i>	Ø78mm	n/a	n/a
	White Trim / Black Reflector <i>SDV2FWB</i>			
	White Trim / Polished Reflector <i>SDV2FWP</i>			
	Black Trim / White Reflector <i>SDV2FBW</i>			
	Black Trim / Black Reflector <i>SDV2FBB</i>			
	Black Trim / Polished Reflector <i>SDV2FBP</i>			
2. Deco_v2 SQ Adj	White Trim / White Reflector <i>SDV2AWW</i>	Ø78mm	25°	355°
	White Trim / Black Reflector <i>SDV2AWB</i>			
	White Trim / Polished Reflector <i>SDV2AWP</i>			
	Black Trim / White Reflector <i>SDV2ABW</i>			
	Black Trim / Black Reflector <i>SDV2ABB</i>			
	Black Trim / Polished Reflector <i>SDV2ABP</i>			
3. Deco_v2 SQ Wallwasher	White Trim / Polished Reflector <i>SDV2WWW</i>	Ø78mm	n/a	n/a
	Black Trim / Polished Reflector <i>SDV2WWB</i>			



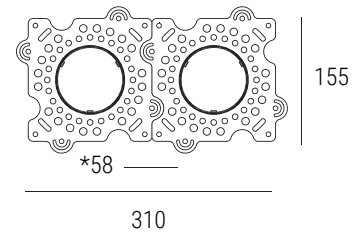
Variant	Finish	Cut-out	Tilt	Rotate
1. Deco_v2 SQ Fixed_Trimless	White Reflector	Ø79mm	n/a	n/a
	Black Reflector			
	Polished Reflector			
2. Deco_v2 SQ Adj_Trimless	White Reflector		25°	355°
	Black Reflector			
	Polished Reflector			
3. Deco_v2 SQ Wallwasher_Trimless	Polished Reflector		n/a	n/a



Variant	Finish	Cut-out	Tilt	Rotate
1. Deco_v2 Snoot Short	White Trim / White Snoot	DV2SSWW	20°	n/a
	White Trim / Black Snoot	DV2SSWB		
	Black Trim / White Snoot	DV2SSBW		
	Black Trim / Black Snoot	DV2SSBB		
2. Deco_v2 Snoot Short Trimless	White Trim / White Snoot	DV2SSTLWW	20°	n/a
	White Trim / Black Snoot	DV2SSTLWB		
	Black Trim / White Snoot	DV2SSTLBW		
	Black Trim / Black Snoot	DV2SSTLBB		



Double-lamp dimensions >



*lamp-to-lamp spacing

Variant	Finish	Code	Cut-out	Tilt	Rotate
1. Deco_v2 Snoot Long	White Trim / White Snoot	DV2LSWW	Ø79mm	20°	n/a
	White Trim / Black Snoot	DV2LSWB			
	Black Trim / White Snoot	DV2LSBW			
	Black Trim / Black Snoot	DV2LSBB			
2. Deco_v2 Snoot Long Trimless	White Trim / White Snoot	DV2LSTLWW	Ø79mm	20°	n/a
	White Trim / Black Snoot	DV2LSTLWB			
	Black Trim / White Snoot	DV2LSTLBW			
	Black Trim / Black Snoot	DV2LSTLBB			

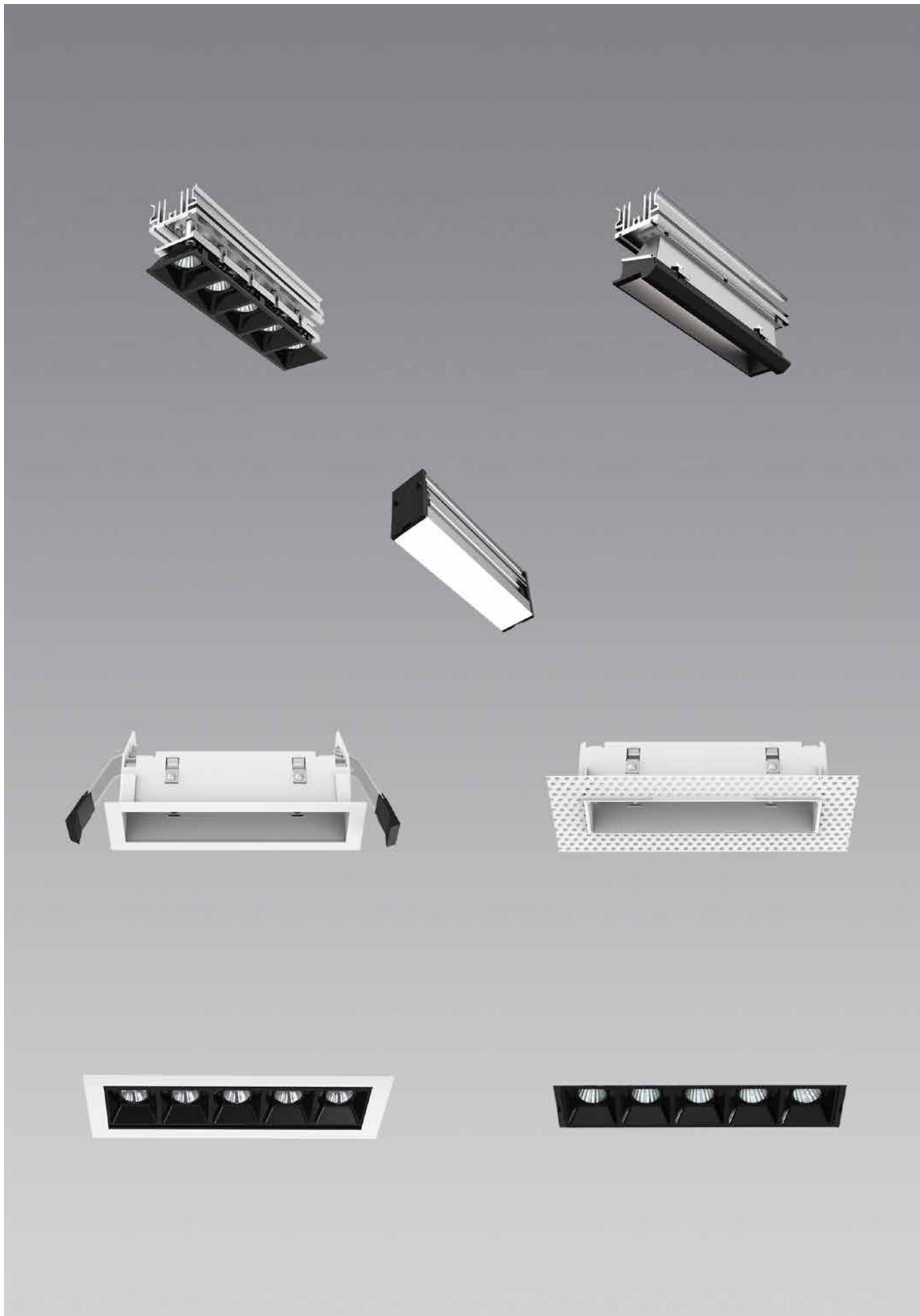
System 2.1

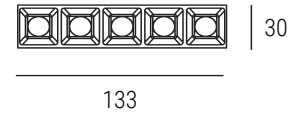
153 x 47mm

285 x 47mm

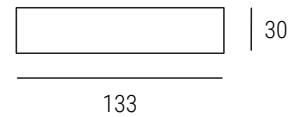
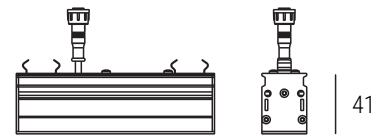
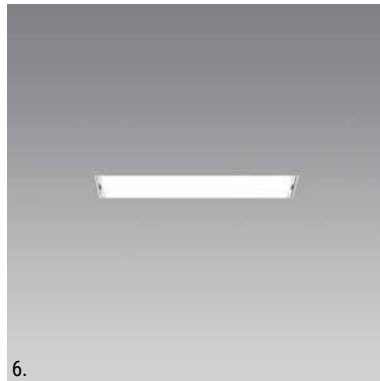
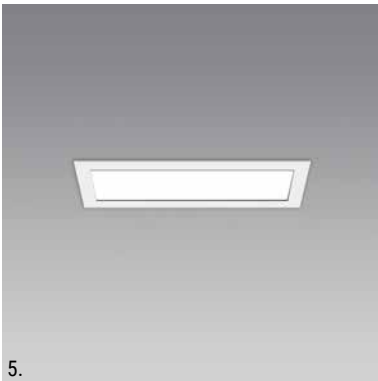
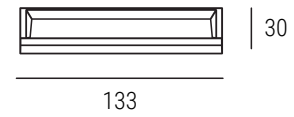
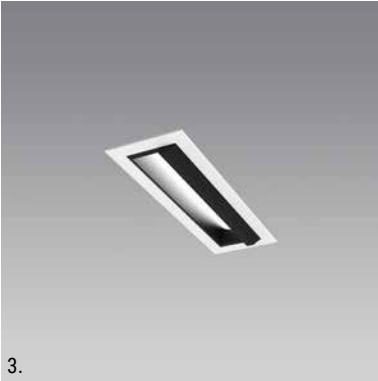
- Modular Downlight Series
- Trimless and trim options
- Multiple light source options
- 90+ CRI with premium optics
- DALI and 0-10v options

System 2.1 is a multi-use modular downlight series that can be used in a wide range of Interior environments. Ideally suited for multi-functional spaces, System 2.1 is best specified with System 2.0 (track series), providing the Designer a suite of fixtures that covers ambient, accent and task lighting. Whether for a high-end Villa or a Corporate office environment, System 2.1 provides the Interior with consistency in both design and technical performance.



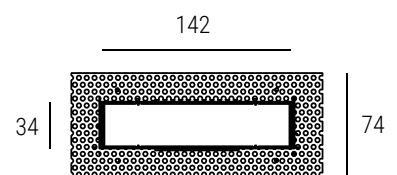
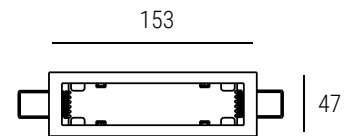


*Reflector options: White / Black



Trim Housing* (H: 61mm)

Trimless Housing (H: 60mm) / requires min 4mm plaster thickness

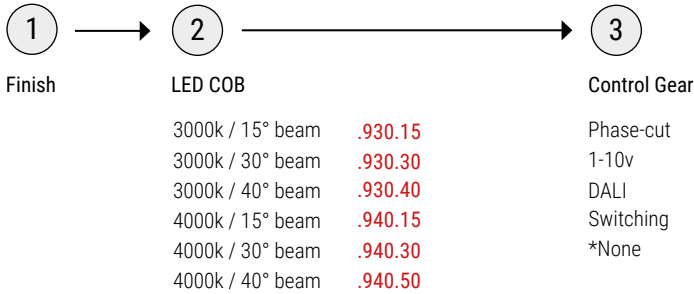


* Finish options: White / Black

White finish only

Standard Downlights (90+ CRI)	Finish	Beam Angle(s)	Power (W)	Lumens (@ 3000k)
1. 5-LED Downlight / Trim	White Trim / Black Reflector S215L.WT.BR	15°/30°/40°	11w	1020 lm
	White Trim / White Reflector S215L.WT.WR			
	Black Trim / Black Reflector S215L.BT.BR			
	Black Trim / White Reflector S215L.BT.WR			
2. 5-LED Downlight / Trimless	Black Reflector S215TL.BR			
	White Reflector S215TL.WR			
3. Wallwasher / Trim	White S215WW.WT	Asymmetric	11w	612 lm
	Black S215WW.BT			
4. Wallwasher / Trimless	n/a S215WW.TL			
5. Linear LED / Trim	White S215LL.WT	115°	11w	551 lm
	Black S215LL.BT			
6. Linear LED / Trimless	n/a S215LL.TL			

Order Code (5-LED Downlights only)

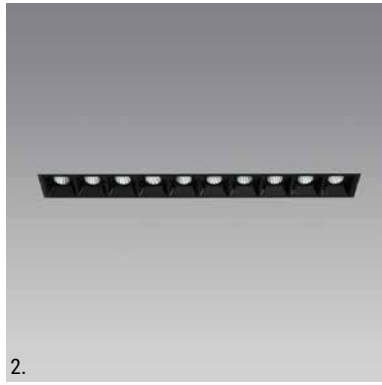


Ordering Info > 5-LED Downlights

- Example: [S215L.WT.BR.930.15.D](#)
- *None: Where Control Gear is not required standard warranty terms will not apply (see warranty document)

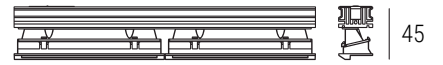
Ordering Info > Wallwasher / Linear LED

- Example: 3000k - [S215LWW.WT.930.D](#)
4000k - [S215LWW.WT.940.D](#)
- *None: Where Control Gear is not required standard warranty terms will not apply (see warranty document)

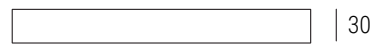
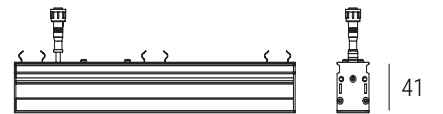
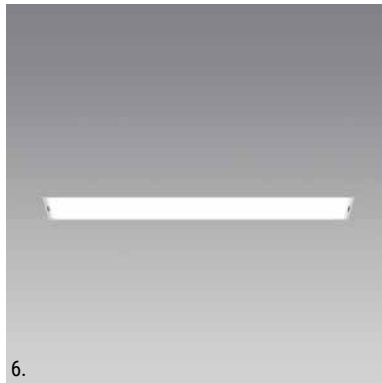


266

*Reflector options: White / Black



266

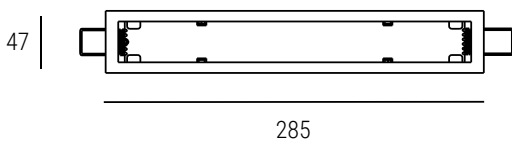


266

Trim Housing* (H: 61mm)



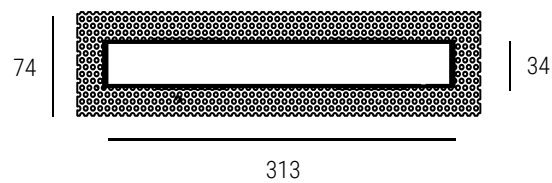
* Finish options: White / Black



Trimless Housing (H: 60mm) / requires min 4mm plaster thickness

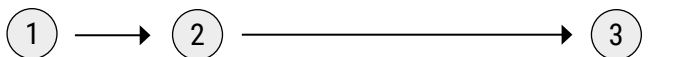


White finish only



Large Downlights (90+ CRI)	Finish	Beam Angle(s)	Power (W)	Lumens (@ 3000k)
1. 10-LED Downlight / Trim	White Trim / Black Reflector S2110L.WT.BR	15°/30°/40°	22w	2000 lm
	White Trim / White Reflector S2110L.WT.WR			
	Black Trim / Black Reflector S2110L.BT.BR			
	Black Trim / White Reflector S2110L.BT.WR			
2. 10-LED Downlight / Trimless	Black Reflector S2110TL.BR			
	White Reflector S2110TL.WR			
3. Wallwasher / Trim	White S2110WW.WT	Asymmetric	22w	1224 lm
	Black S2110WW.BT			
4. Wallwasher / Trimless	n/a S2110WW.TL			
5. Linear LED / Trim	White S2110LL.WT	115°	22w	1102 lm
	Black S2110LL.BT			
6. Linear LED / Trimless	n/a S2110LL.TL			

Order Code (10-LED Downlights only)



1	2	3
Finish	LED COB	Control Gear
	3000k / 15° beam .930.15	Phase-cut .P
	3000k / 30° beam .930.30	1-10v .A
	3000k / 40° beam .930.40	DALI .D
	4000k / 15° beam .940.15	Switching .S
	4000k / 30° beam .940.30	*None .N
	4000k / 40° beam .940.50	

Ordering Info > 10-LED Downlights

- Example: [S2110L.WT.BR.930.15.D](#)
- *None: Where Control Gear is not required standard warranty terms will not apply (see warranty document)

Ordering Info > Wallwasher / Linear LED

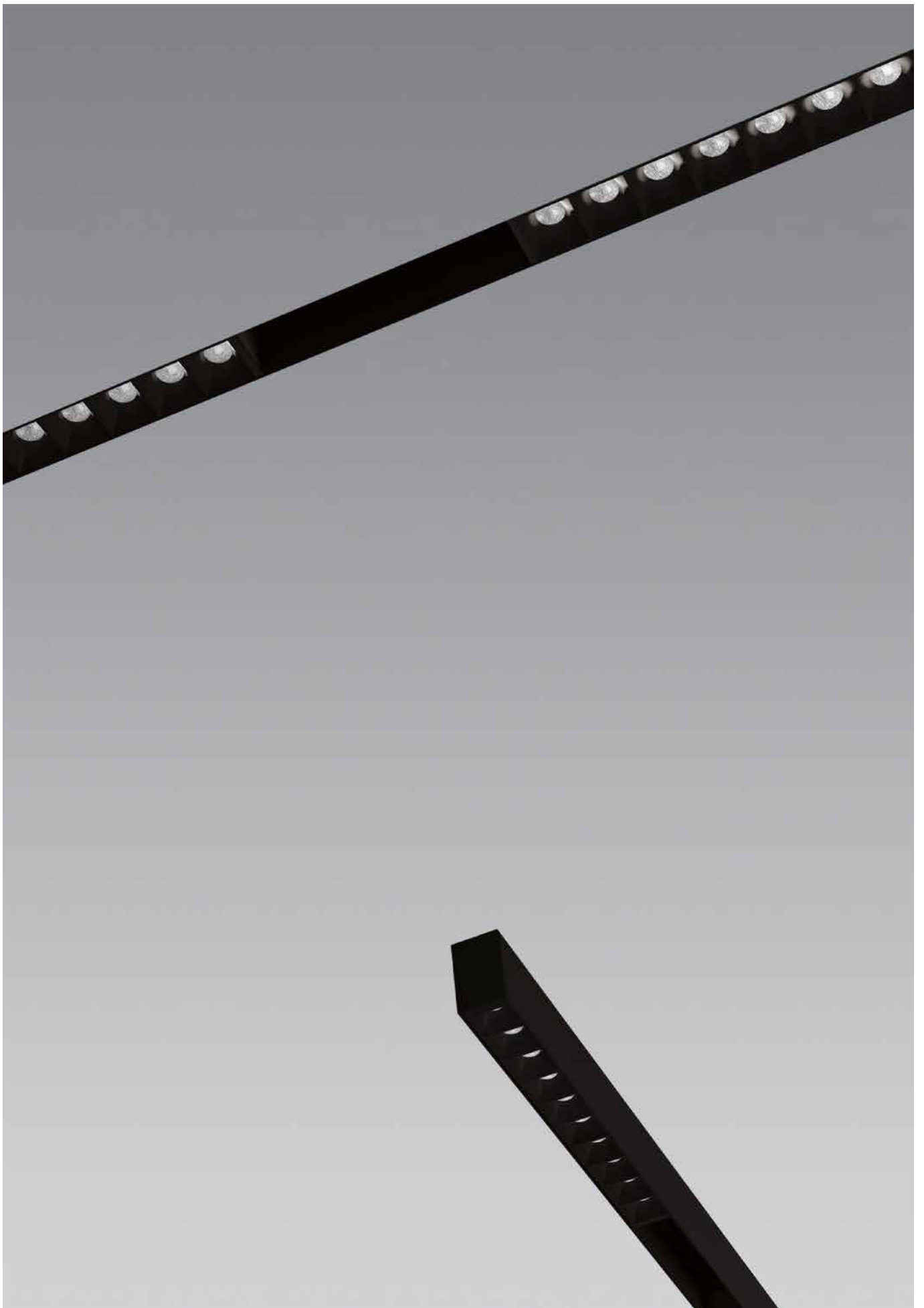
- Example: 3000k - [S2110LWW.WT.930.D](#)
4000k - [S2110LWW.WT.940.D](#)
- *None: Where Control Gear is not required standard warranty terms will not apply (see warranty document)

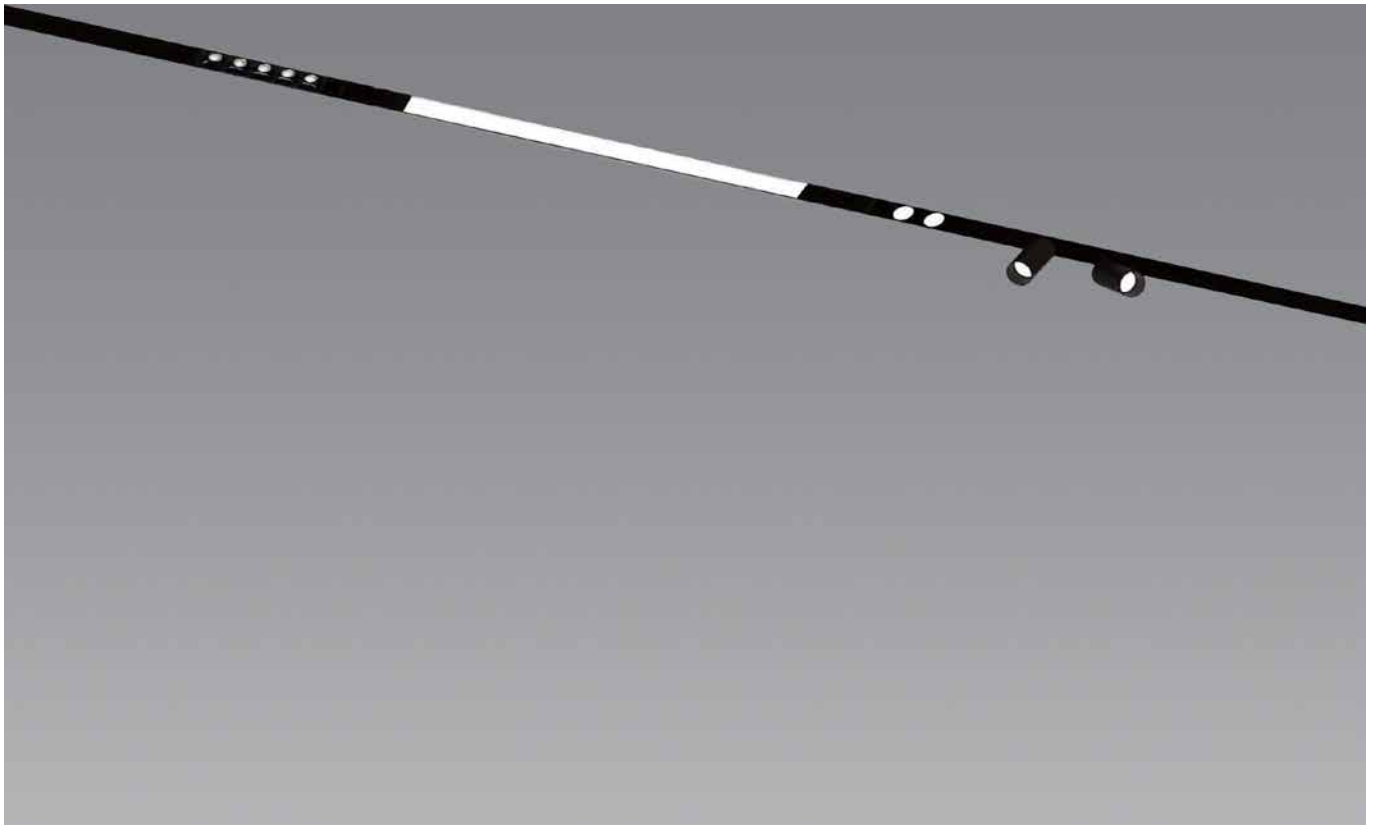
System 2.0

- Low voltage 38mm Track Series
- Multiple mounting options
- Multiple light source options
- 90+ CRI LED (3 SDCM)
- DALI and 0-10v / 1-10v options

System 2.0 is a multi-use, low-voltage track system that can be used in a range of Interior environments, high-end Residential in particular. Ideally suited for multi-functional spaces, System 2.0 provides the Designer with flexible options including spotlights, pendant, linear lighting and downlights.

A choice of mounting options allows Designers to create a tailored lighting scheme with consistency in both aesthetics and technical performance.





Recessed Track Trimless > 5-LED Downlight / 603mm Linear LED / Double-spot, Accent / 2 x Track Light 6.4w

Recessed Track Trimless > Double-spot, Ambient / Pendant 6.4w / 10-LED Downlight

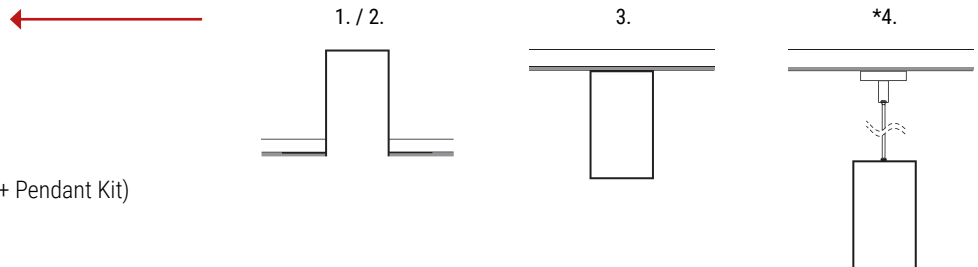


System 2.0 Components

Architectural needs are now matched with product design with System 2.0 > this versatile track system enables a mix of high-performance fixtures to be specified, giving the Designer complete flexibility.

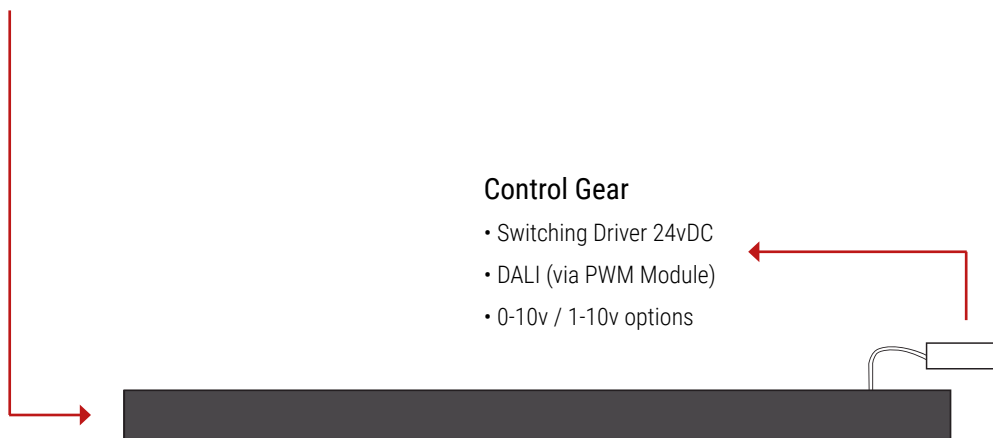
Track Options

1. Recessed Track Trimless
2. Recessed Track Flange
3. Surface Track
4. Pendant Track (*Surface Track + Pendant Kit)



Control Gear

- Switching Driver 24vDC
- DALI (via PWM Module)
- 0-10v / 1-10v options



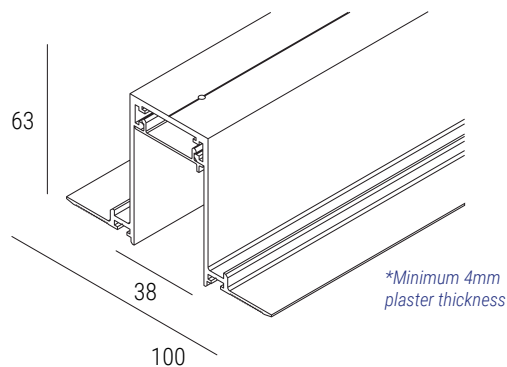
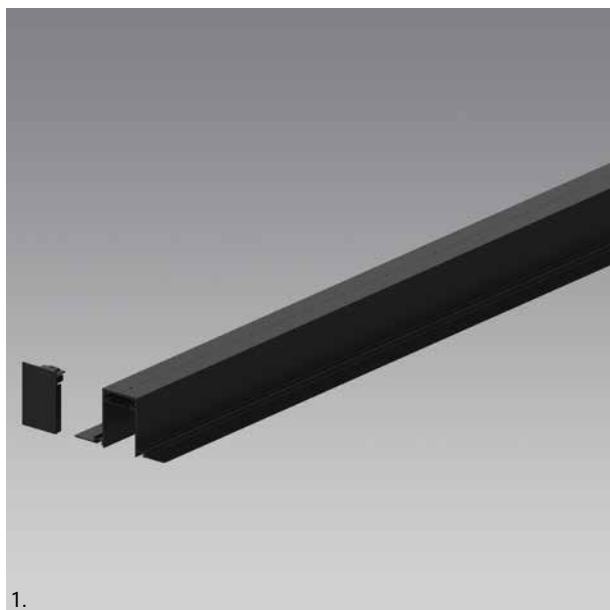
- Track Lights + Pendant**
- Ø40mm Track Light
 - Ø64mm Track Light
 - Ø40mm Pendant

- Double-spots**
- Double-spot, Accent
 - Double-spot, Ambient

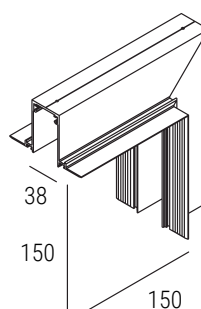
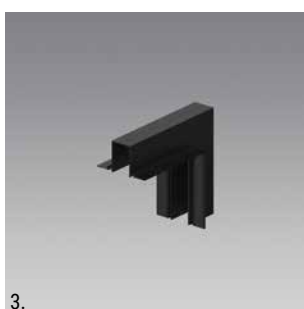
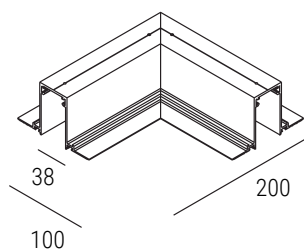
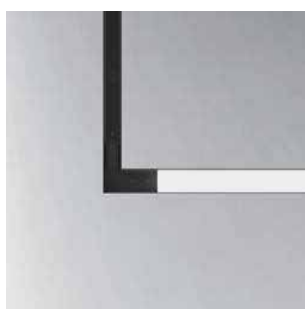
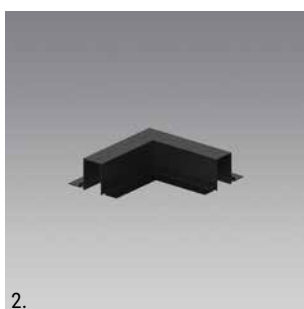
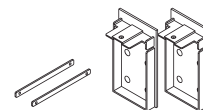
- Linear LED**
- 303mm Linear LED
 - 603mm Linear LED
 - 903mm Linear LED
 - Continuous Line of Light

- Downlights**
- 5- LED Downlight
 - 10-LED Downlight
 - Wallwasher

Recessed Track Trimless

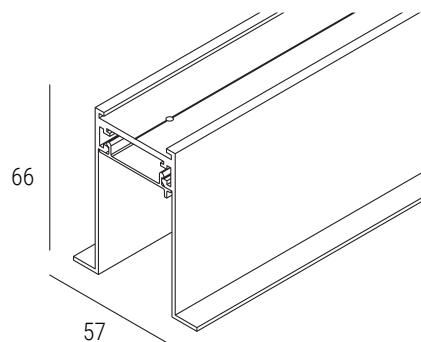
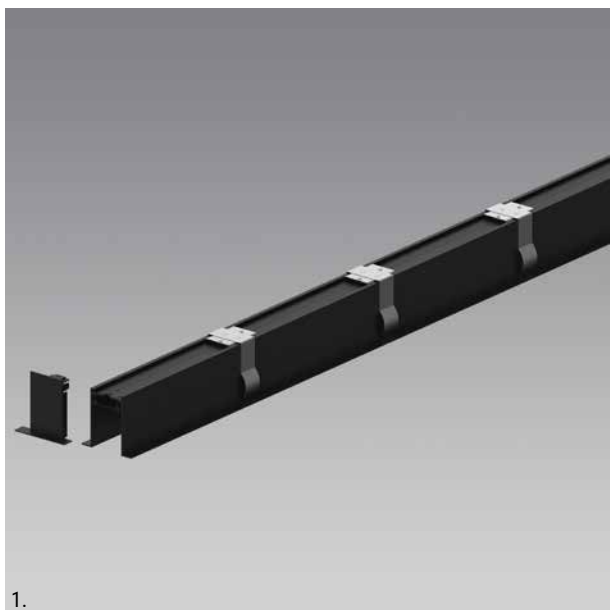


Each piece of Recessed Track Trimless includes:
 • 1 pair of end caps
 • 1 pair of profile connectors
 *For Flange Track 1pc support clip also included

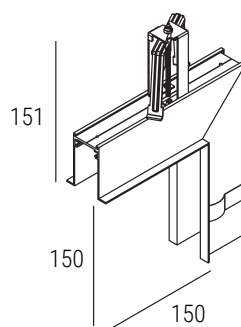
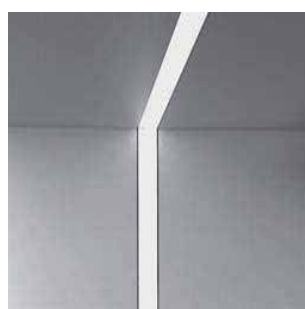
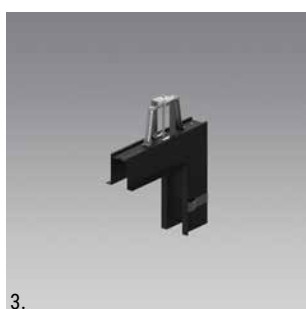
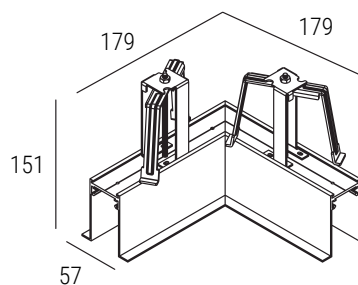
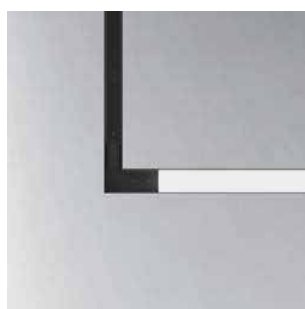
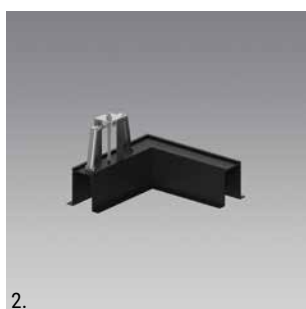
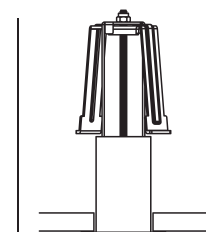


Recessed Track Trimless	Finish	L = 1500mm	L = 2100mm	L = 2500mm
1. Recessed Track Trimless	White	S2RTT.W.1500	S2RTT.W.2100	S2RTT.W.2500
	Black	S2RTT.B.1500	S2RTT.B.2100	S2RTT.B.2500
2. Trimless Horizontal Corner	White	S2RTT.W.HC	-	-
	Black	S2RTT.B.HC	-	-
3. Trimless Vertical Corner	White	S2RTT.W.VC	-	-
	Black	S2RTT.B.VC	-	-

Recessed Track Flange

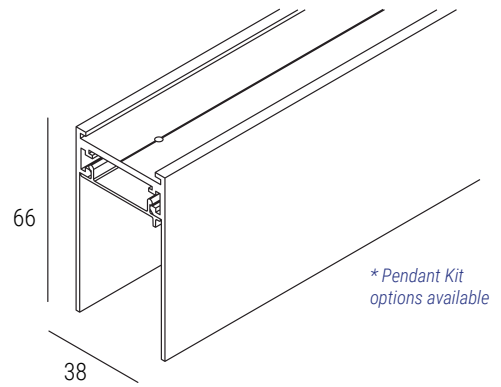
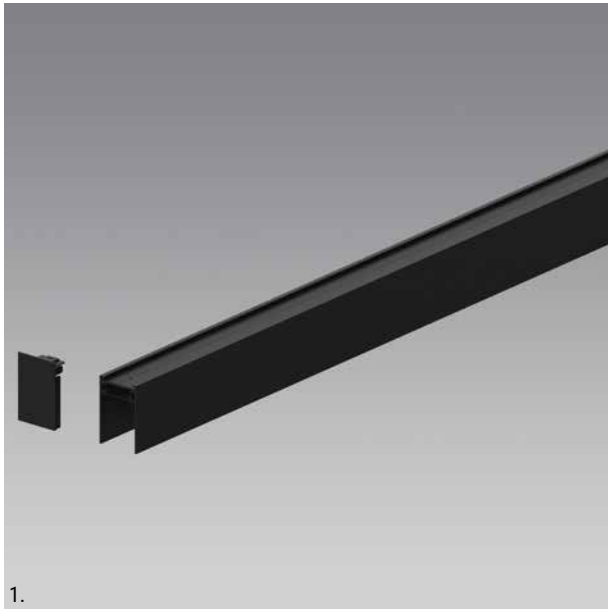


Height with support clip = 151

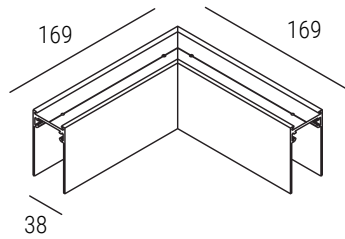
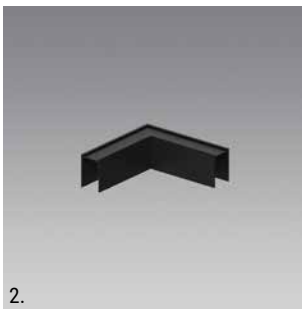
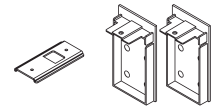


Recessed Track Flange	Finish	L = 1500mm	L = 2100mm	L = 2500mm
1. Recessed Track Flange	White	S2RTF.W.1500	S2RTF.W.2100	S2RTF.W.2500
	Black	S2RTF.B.1500	S2RTF.B.2100	S2RTF.B.2500
2. Flange Horizontal Corner	White	S2RTF.W.HC	-	-
	Black	S2RTF.B.HC	-	-
3. Flange Vertical Corner	White	S2RTF.W.VC	-	-
	Black	S2RTF.B.VC	-	-

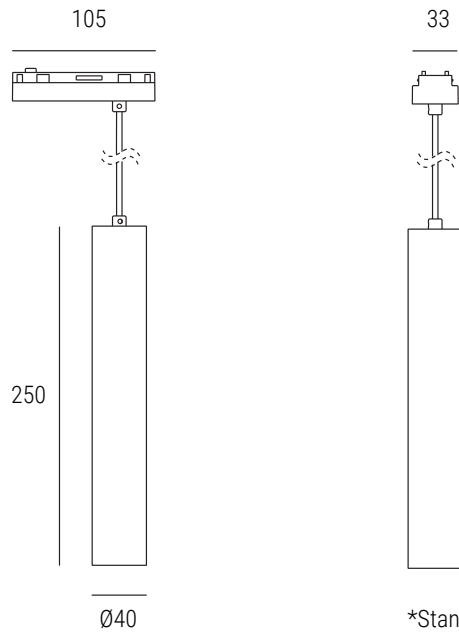
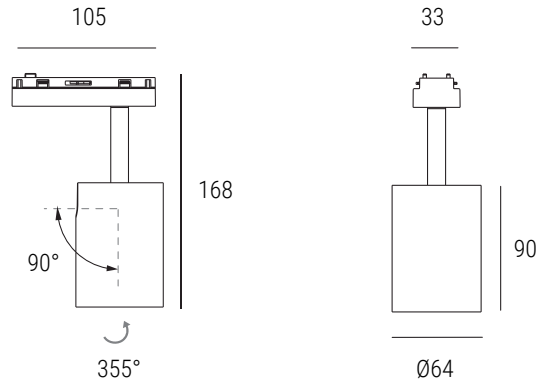
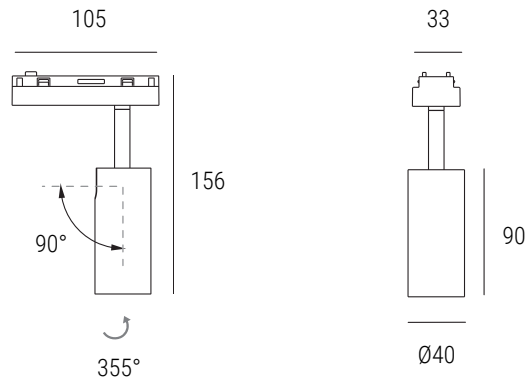
Surface Track



Each piece of Surface Track includes:
 • 1 pair of end caps
 • 1 pair of mounting clips
 *For Pendant Kit refer to Accessories on Page 78



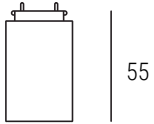
Surface Track	Finish	L = 1500mm	L = 2100mm	L = 2500mm
1. Surface Track	White	S2ST.W.1500	S2ST.W.2100	S2ST.W.2500
	Black	S2ST.B.1500	S2ST.B.2100	S2ST.B.2500
2. Surface Horizontal Corner	White	S2ST.W.HC	-	-
	Black	S2ST.B.HC	-	-



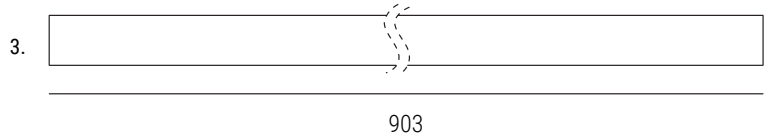
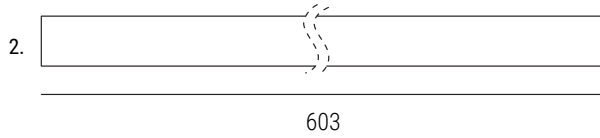
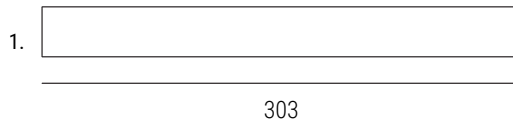
*Standard Cable length = 1100mm
Contact us for custom length

Track Lights + Pendant	*Finish	Tilt	Rotate	Lumens (@ 3000k)
1. Track Light 6.4w	White S2TL40W	90°	355°	626 lm
	Black S2TL40B			
2. Track Light 12.7w	White S2TL64W	90°	355°	1114 lm
	Black S2TL64B			
3. Pendant 6.4w	White S2PL40W	-	-	626 lm
	Black S2PL40B			

*Order Code Suffix on Page 96



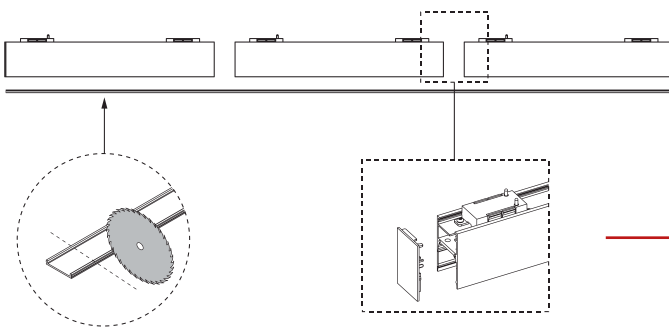
33



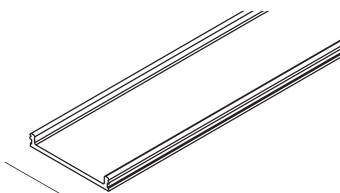
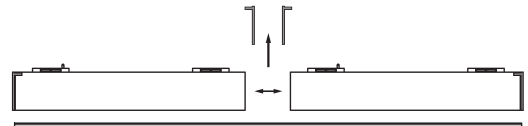
Linear LED (80+ CRI)	*Finish	Beam Angle	Power (W)	Lumens (@ 3000k)
1. 303mm Linear LED	White S2LL303W	115°	9.2w	472 lm
	Black S2LL303B			
2. 603mm Linear LED	White S2LL603W	115°	18.4w	1197 lm
	Black S2LL603B			
3. 903mm Linear LED	White S2LL903W	115°	27.5w	1428 lm
	Black S2LL903W			

*Order Code Suffix on Page 96

Seamless Line of Light > Linear LED up to 15m long with zero joints in the diffuser

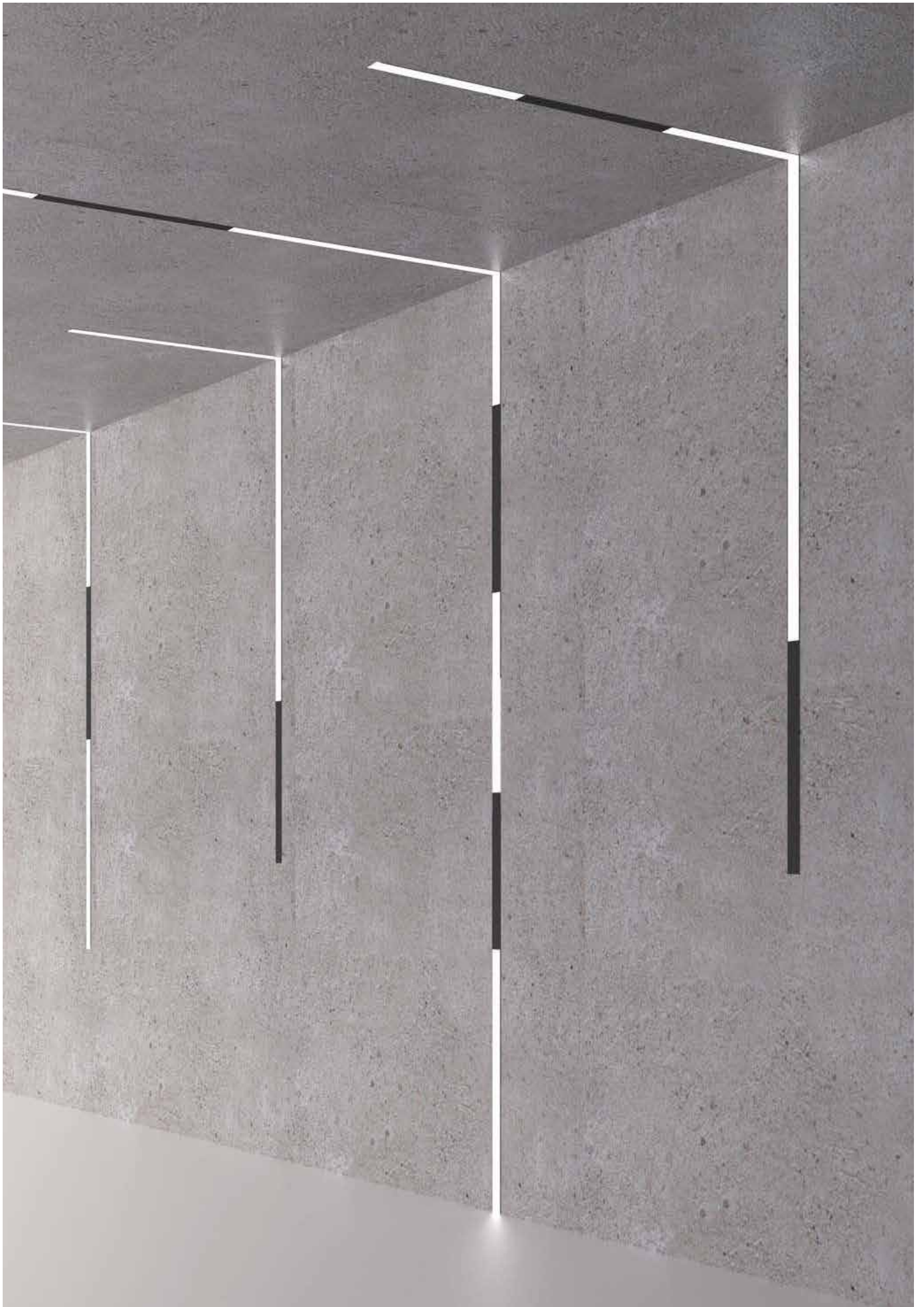


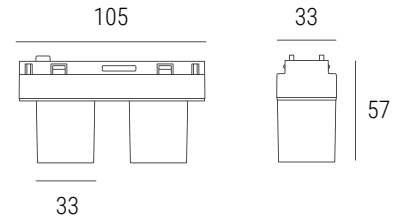
Seamless Line of Light can be created at Site by removal of the Linear LED endcaps. Once removed, fixtures are placed side-by-side and the roll of PC diffuser can be cut-to-size, according to Site requirements. Joint-free, homogenous linear LED up to 15m in a single run > see Accessory Code for PC diffuser Rolls below.



31

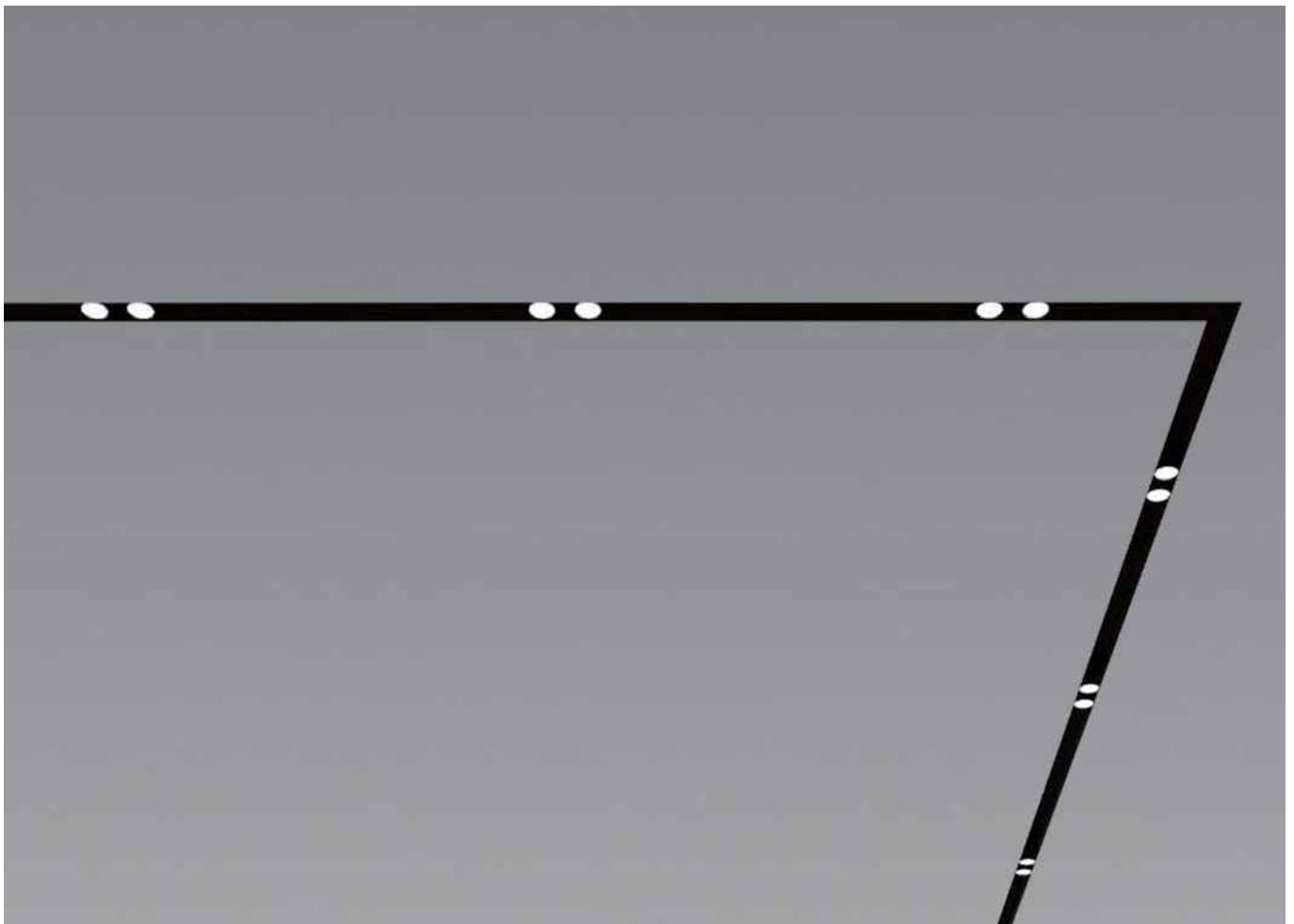
PC Diffuser	Accessory Code
15m Roll	PCD15M
4m Roll	PDC4M

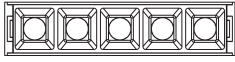
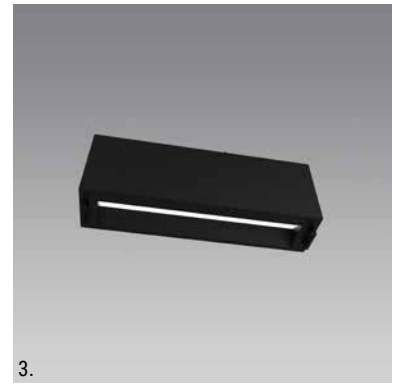
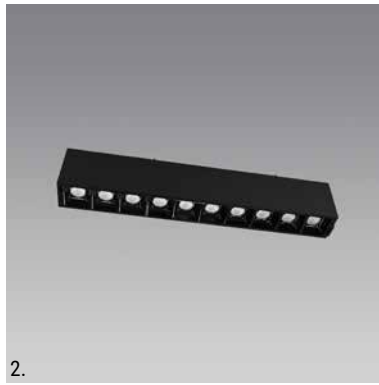




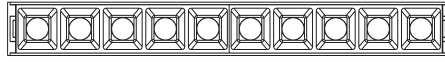
Double-spots (90+ CRI)	Finish	Beam Angle	Power (W)	Lumens (@ 3000k)
1. Double-spot Ambient	White S2DSAMW	90°	4.6w	214 lm
	Black S2DSAMB			
2. Double-spot Accent	White S2DSACW	19° / 35°	5.3w	399 lm
	Black S2DSACB			

*Order Code Suffix on Page 96

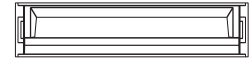




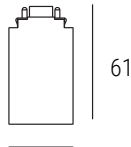
143



276

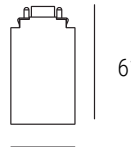


143



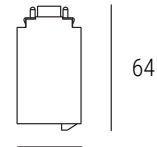
61

33



61

33



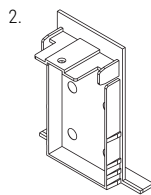
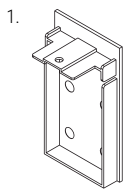
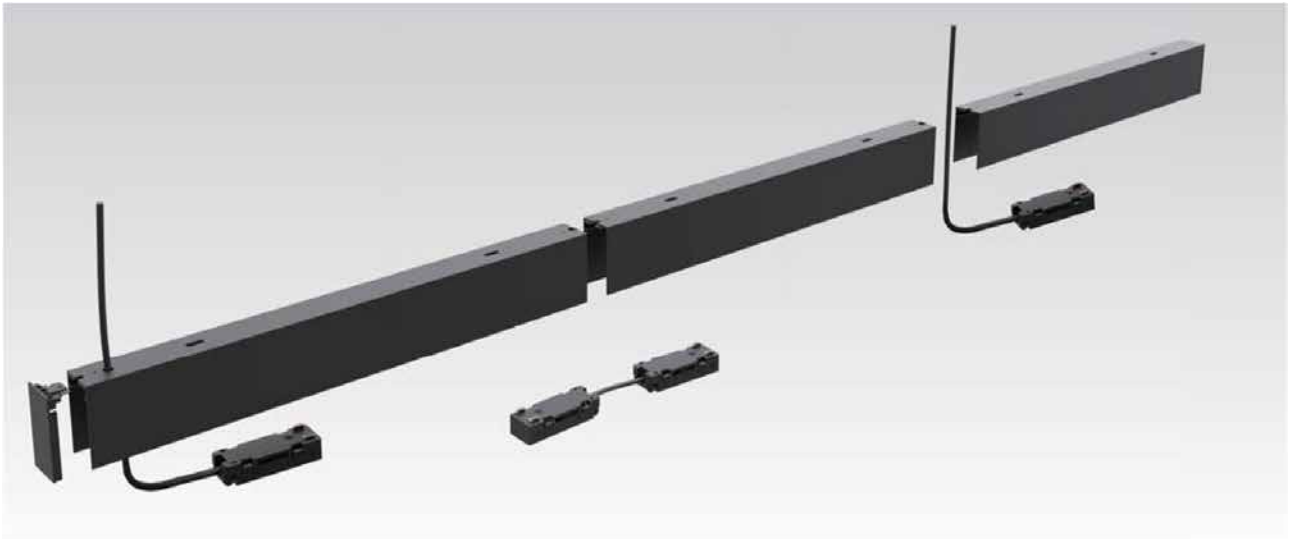
64

33

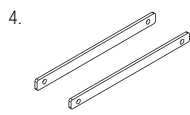
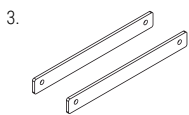
Standard Downlights (90+ CRI)	Finish	Beam Angle(s)	Power (W)	Lumens (@ 3000k)
1. 5-LED Downlight	White / Black Reflector S25L.WT.BR	15°/30°/40°	11w	1020 lm
	White / White Reflector S25L.WT.WR			
	Black / Black Reflector S25L.BT.BR			
	Black / White Reflector S25L.BT.WR			
2. 10-LED Downlight	White / Black Reflector S210L.WT.BR	15°/30°/40°	22w	2040 lm
	White / White Reflector S210L.WT.WR			
	Black / Black Reflector S210L.BT.BR			
	Black / White Reflector S210L.BT.WR			
3. Wallwasher	White S2WWW	Asymmetric	11w	462 lm
	Black S2WWB			

*Order Code Suffix on Page 96

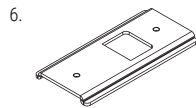
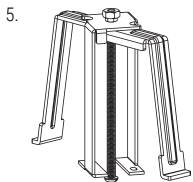
Track Accessories



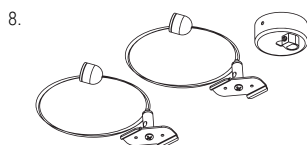
Item	Accessory Code
1. End Cap > for Trimless and Surface Tracks	EC1
2. End Cap > for Track with Flange	EC2



Item	Accessory Code
3. Track Connector pair (Surface/Flange)	TC1
4. Track Connector pair (Trimless Track)	TC2



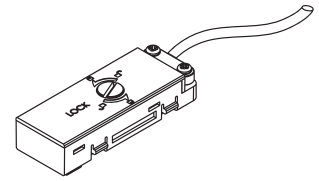
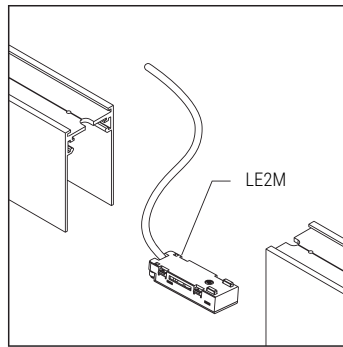
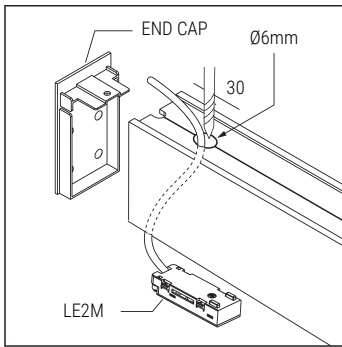
Item	Accessory Code
5. Flange Track Support clip	FTSC
6. Surface Track Ceiling Plate	SMCP



Item	Accessory Code
7. Pendant Suspension Cable (L: 1500mm)	EC1
8. Pendant Kit incl Power cord ceiling hub	EC2

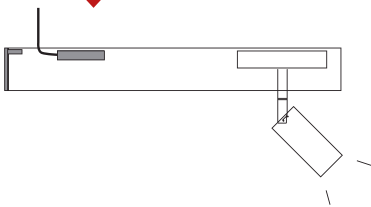
Power Connectors

Live end with 2m cable for single and multi-circuit wiring > connects directly to 24vDC Driver

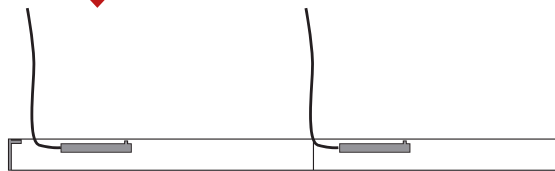


Item	Accessory Code
Live End	LE2M

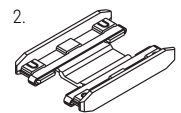
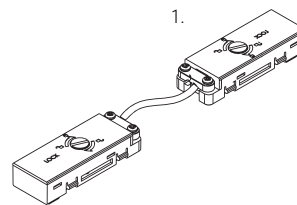
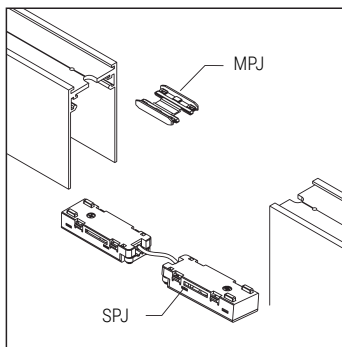
Single circuit /
Single Track



Multi-circuit /
Multi-track

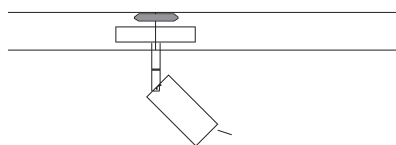
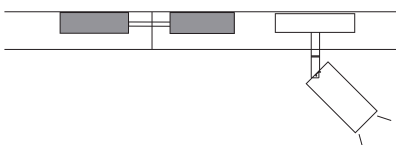


Power joints for track-to-track single-circuit wiring (Max wattage 150w / Max length 10m)



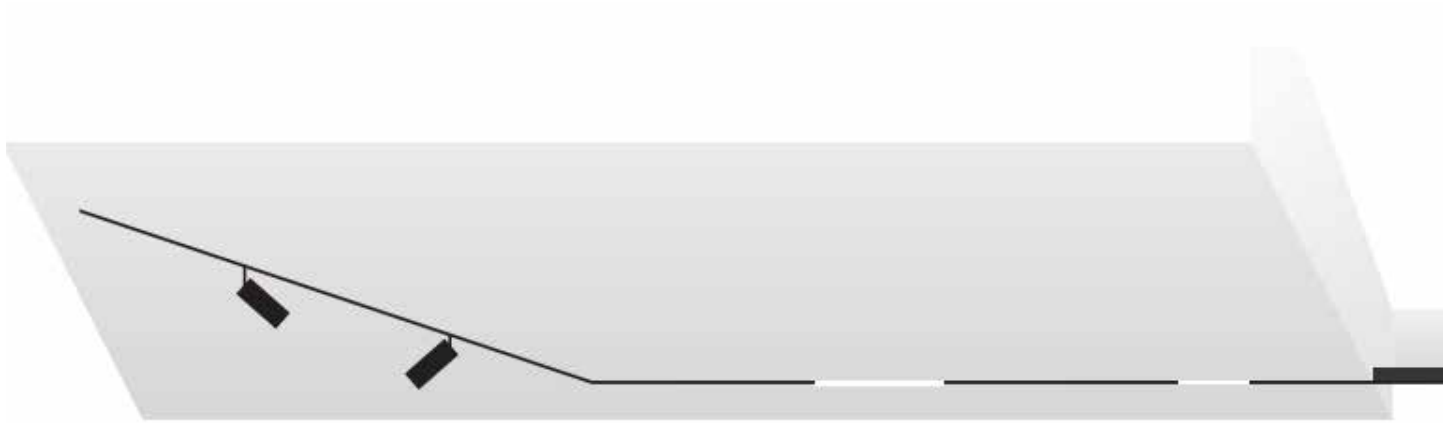
Single circuit / track-to-track

Item	Accessory Code
1. Power Joint	SPJ
2. Mini Joint	MPJ



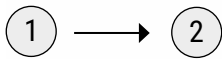
1. Power Joint > suitable for longer track runs (5m+)

2. Mini Joint > suitable for placement above the fixture



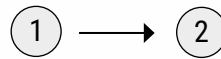
System 2.0 Configurable Components > Order Code Suffix

Track Light 6.4w / Pendant 6.4w



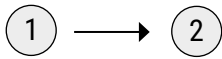
Finish	LED COB	
	3000k / 10° beam	.930.10
	3000k / 20° beam	.930.20
	4000k / 10° beam	.940.10
	4000k / 20° beam	.940.20

Track Light 12.7w



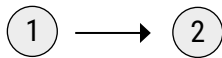
Finish	LED COB	
	3000k / 16° beam	.930.16
	3000k / 21° beam	.930.21
	3000k / 35° beam	.930.35
	4000k / 16° beam	.940.16
	4000k / 21° beam	.940.21
	4000k / 35° beam	.940.35

Linear LED (303 / 603 / 903mm)



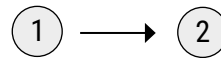
Finish	SMD LED	
	3000k	.930
	4000k	.940

Double-spot, Ambient 4.6w



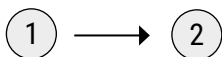
Finish	SMD LED	
	3000k	.930
	4000k	.940

Double-spot, Accent 5.3w



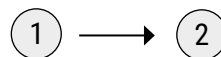
Finish	LED COB	
	3000k / 19° beam	.930.19
	3000k / 35° beam	.930.35
	4000k / 19° beam	.940.19
	4000k / 35° beam	.940.35

5-LED / 10-LED Downlight



Finish	SMD LED	
	3000k / 15° beam	.930.15
	3000k / 30° beam	.930.30
	3000k / 40° beam	.930.40
	4000k / 15° beam	.940.15
	4000k / 30° beam	.940.30
	4000k / 40° beam	.940.40

Wallwasher



Finish	SMD LED	
	3000k	.930
	4000k	.940

Control Gear >

Switching Driver	Code
75w / 24vDC / IP20	S75
150w / 24vDC / IP20	S150

PWM > DALI Converter	Code
1 Channel / 10A	DC1
2 Channel / 10A	DC2
3 Channel / 6A	DC3
4 Channel / 5A	DC4

0-10v / 1-10v	Code
Analogue dimming module	ADM1

Technical support for layouts:

Please send us your Ceiling Plans / Wall Elevations and we will gladly assist your Project requirements, to ensure the correct specs for your design intent within your specified budget. Contact us for further details.

Samples can be provided on request > charges apply.

Specifications subject to change without prior notice. Contact us for alternative Control Gear options

Virgo

Ø55mm

- Recessed
- Surface
- Track

- Compact Spotlight series
- Multiple mounting options
- Trimless / Surface Track options
- High efficacy LED, 80/90 CRI
- DALI and 0-10v options + more

General

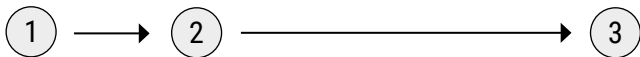
Type	Adjustable Spotlight
Mounting	Ceiling Recessed / Surface / Track
IP-Rating	IP20
Construction	Diecast Aluminium
Operating Temp	-10°C to +40°C
Protection	Class 2
Certification	CE (EN 60598-1)
Warranty	5 years

Technical Data

Power Output	9.1w		
Beam	16°	26°	38°
*Lumen Output	1270 lm	1223 lm	1153 lm
CRI	80 / 90		
Lifetime	50,000h (B80, L10)		
Control Gear	Integrated Driver (Track only) / Remote driver		
Drive Current	350mA		
Forward Voltage	26v		

*Lumen output = delivered lumens / 3000k / 80 CRI

Order Code (Fixtures only)



Finish

LED COB

80 CRI	.8	2700k / 13° beam	27.13
90 CRI	.9	2700k / 25° beam	27.25
		2700k / 38° beam	27.38
		3000k / 13° beam	30.13
		3000k / 25° beam	30.25
		3000k / 38° beam	30.38
		4000k / 13° beam	40.13
		4000k / 25° beam	40.25
		4000k / 38° beam	40.38

Control Gear (*Phase option not available for Tracklight)

Phase-cut	.P
1-10v	.A
*DALI	.D
*Switching	.S
None	.N

Ordering Info:

1. Example: **A375W.827.38.P**
2. None: Where Control Gear is not required standard warranty terms will not apply (see warranty document)
3. Add-ons: Include Add-on Code(s) after Order Code - more than one Add-on can be specified
4. This fixture uses a reflector for secondary optics

> Alternative optics now available - lens series can be specified. Pls contact us for further details.

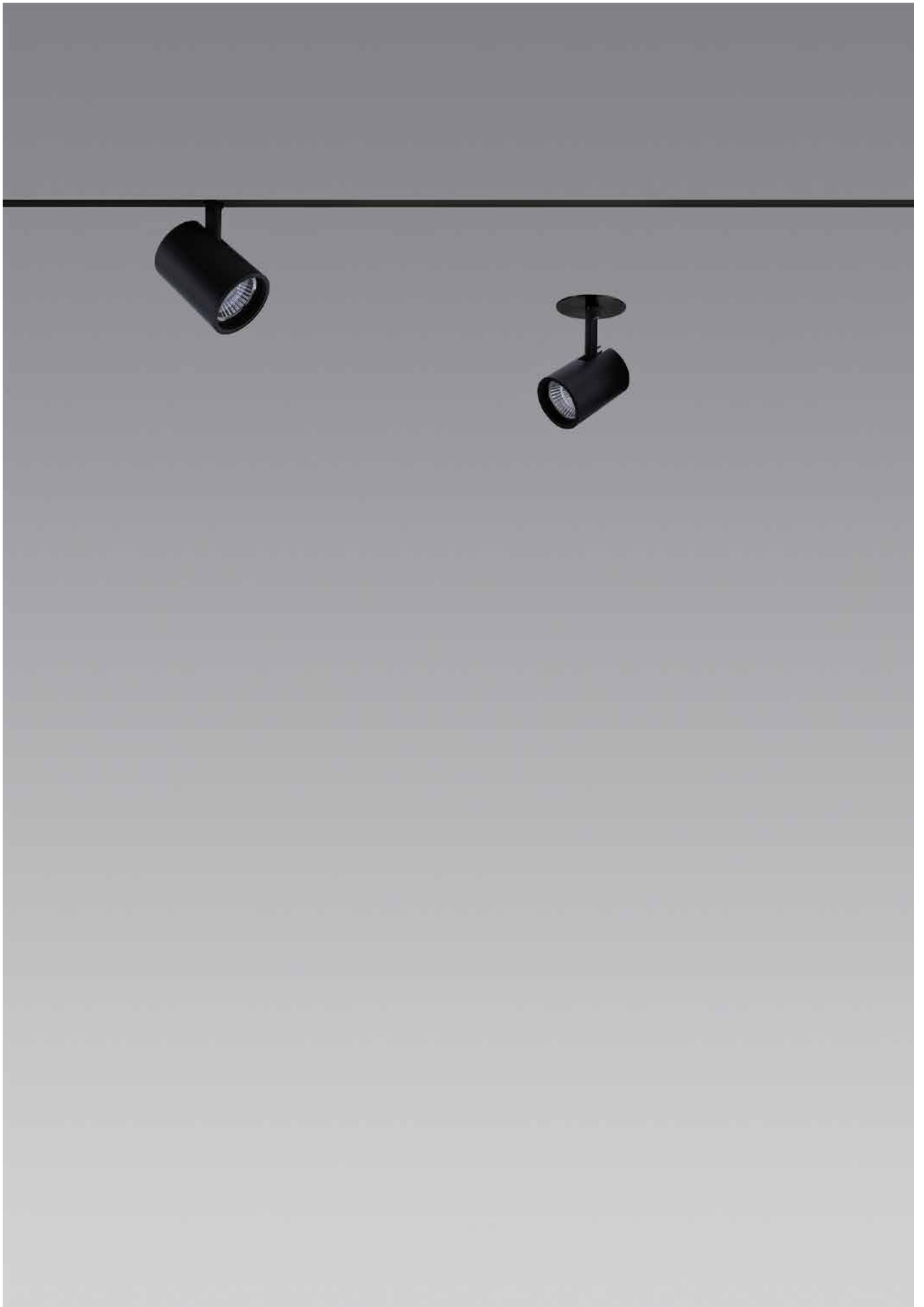
Add-ons

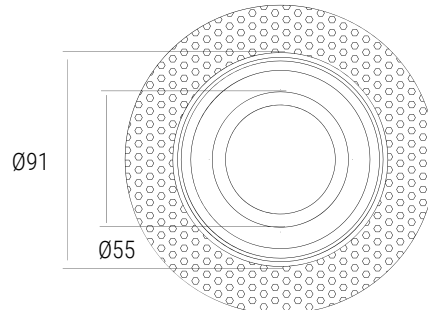
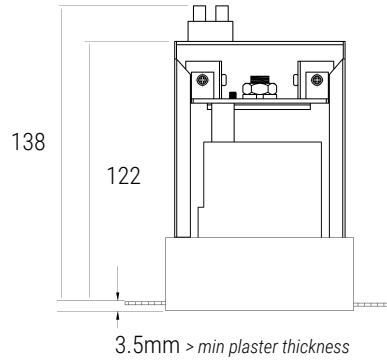
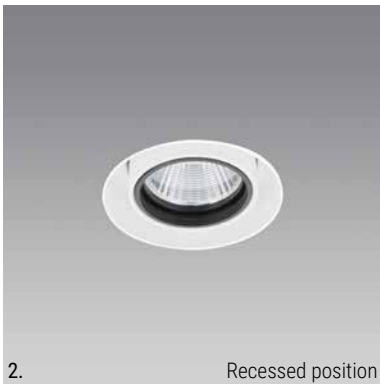
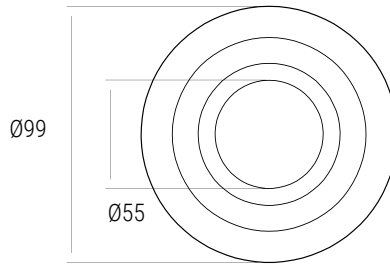
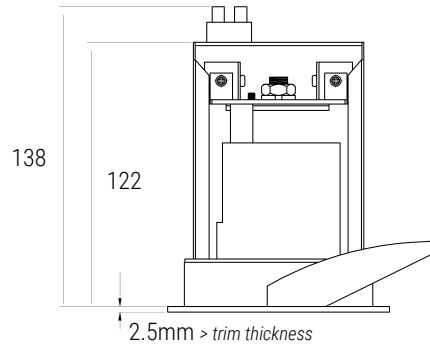


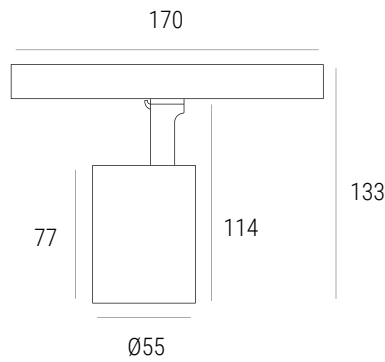
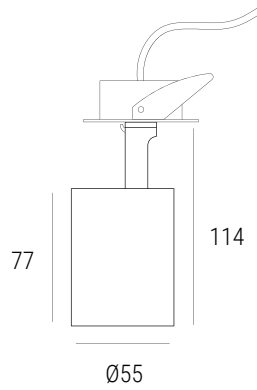
Honeycomb Filter
.HC



Frosted Lens
.FL







Variant	Finish	Cut-out	Tilt	Rotate
1. Recessed Spotlight	White A392W	Ø91mm	90°	355°
	Black A392B			
2. Recessed Trimless Spotlight	White A392TLW			
	Black A392TLB			
3. Surface Spotlight	White A392SFW	Ø55mm	90°	355°
	Black A392SFB			
4. Tracklight 48v Single	White T403SW	n/a		
	Black T403SB			
5. Tracklight 48v Double <i>(not shown)</i>	White T403DW			
	Black T403DB			

Virgo Tracklight for other types of track are also available, on request > customisation for your required application is also possible.

Contact us with details of your Project's requirements.



Virgo for Single-phase track

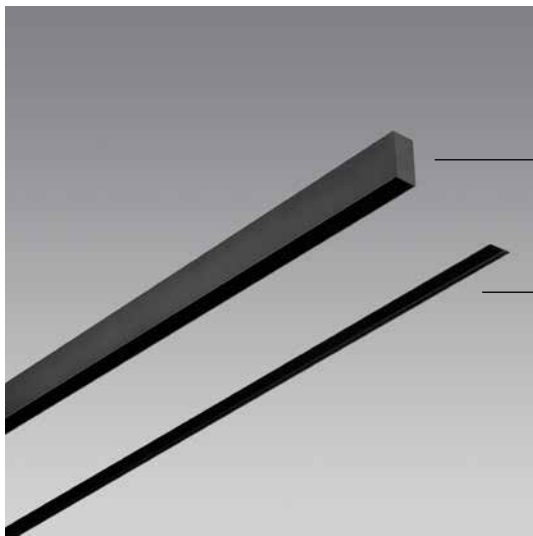


Virgo for Three-phase track



Virgo XL for Single-phase track

Virgo > 48v Track



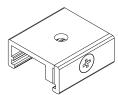
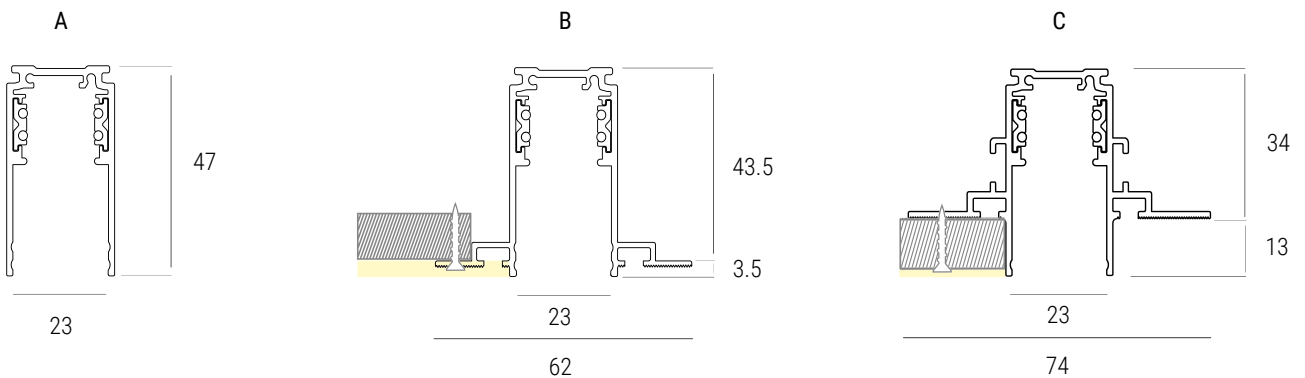
***Track A** - Surface-mount / Pendant

Track B - Recessed Trimless (Retrofit Ceiling)

Track C - Recessed Trimless (New Ceiling)

***Track A >**

- Surface-mount > requires 2 x Surface clips per metre
- Pendant > requires Pendant Kit (PK-R / PK-W)

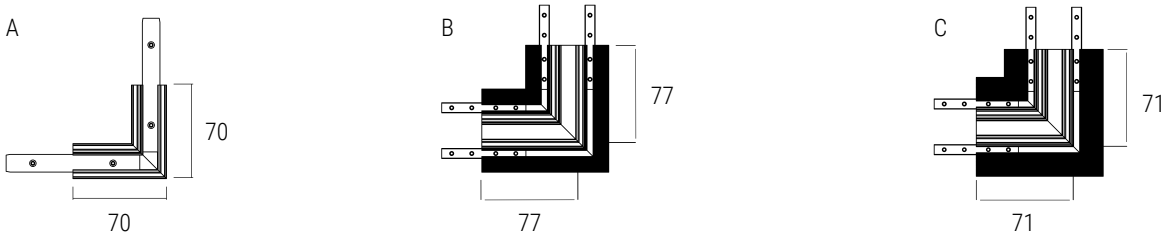


Surface Clip x 2
(Ceiling-mount)
Code: **SFC2**

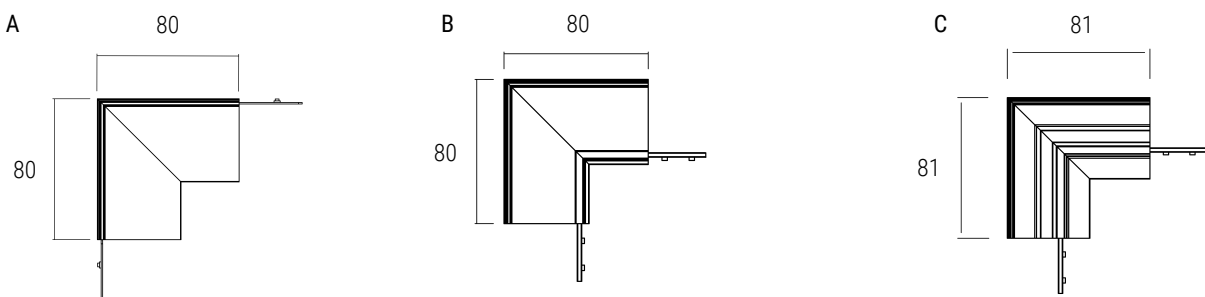
Suitable for existing ceilings with 12mm+ gypsum board. Requires min 3.5mm plaster thickness

Requires max 1mm plaster thickness when using 12mm gypsum board. Also suitable for 12mm Panel (MDF, etc)

Corners / Horizontal > for ceiling only



Corners / Vertical > for wall-to-ceiling



Order Code (Track only)

1	2	3
Track	Length	Finish
Virgo Track A	1000mm	Black
Virgo Track B	2000mm	White
Virgo Track C	3000mm	
	4000mm	

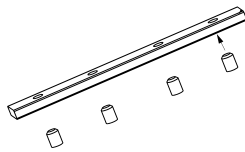
Order Code (Corners only)

1	2
Corner	Finish
Horizontal A	Black
Horizontal B	White
Horizontal C	
Vertical A	
Vertical B	
Vertical C	

Track Accessories

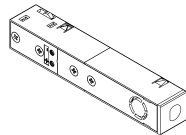
Item / Code

Track-to-track Connector /
T2T.A (Track A)
T2T.BC (Track BC)

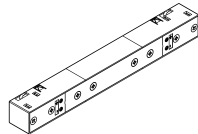


Live End (Left) /
LE.L

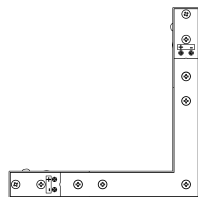
Live End (Right) /
LE.R



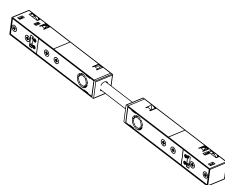
Straight Power Connector /
SPC



Corner Power Connector /
CPC

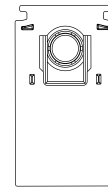


Flexible Power Connector /
FPC

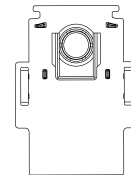


Item / Code

End Cap > Track A & Track B /
EC-1



End Cap > Track C /
EC-2



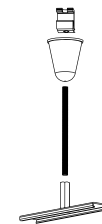
Blind Cover /
BC

**supplied according to
 specified track lengths*



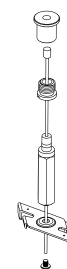
*Pendant Kit > 1m Rod /
PK-R

* Track A only



*Pendant Kit > 3m Wire
PK-W

* Track A only



System 3.0

Ø40mm
Ø50mm
Ø64mm
(+ Ø80mm)

- Recessed Channel System
- Profile and no-profile options
- Multiple sizes and power options
- 90+ CRI with premium optics
- DALI, Phase and 0-10v options

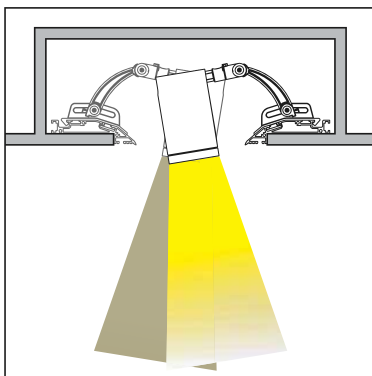


A continuous recessed Channel with agile and powerful LED Modules > this versatile system enables a mix of high-performance fixtures to be specified, giving the Designer complete flexibility for a multitude of interior environments > Residential, Retail and Commercial

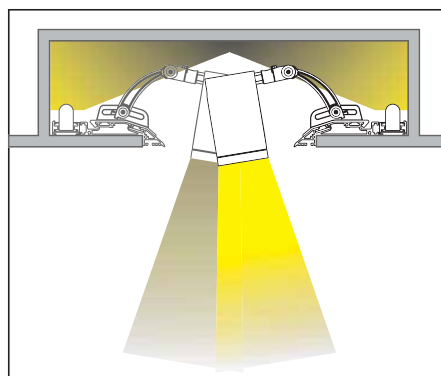
System 3.0 can be specified with a knife-edge Profile and 3 different LED Module options or without the Profile, for use with Gypsum/Panel, and 2 LED Module options > to suit all applications in budget.



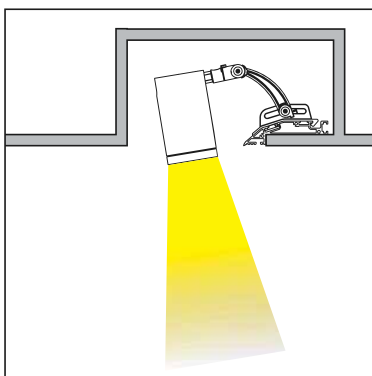
System 3.0 Configurations



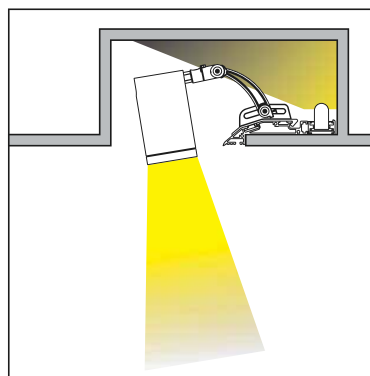
Double-channel >
Opposing Profiles with LED Modules



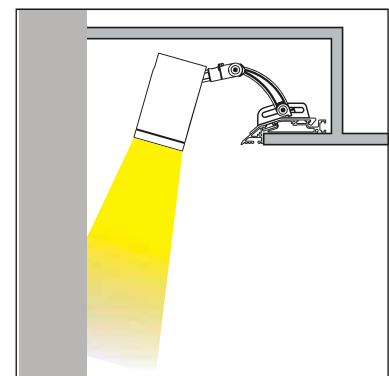
Double-channel >
Opposing Profiles with LED Modules + *Linear LED



Single-channel >
With LED Modules



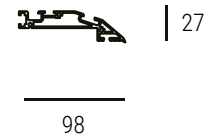
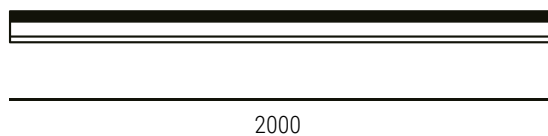
Single-channel >
With LED Modules + *Linear LED



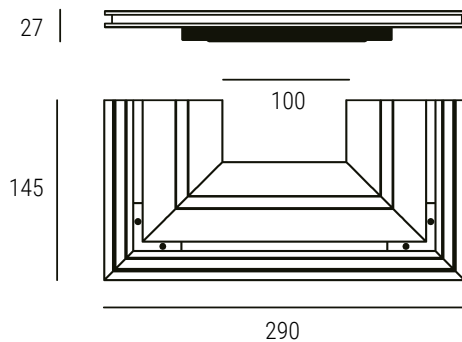
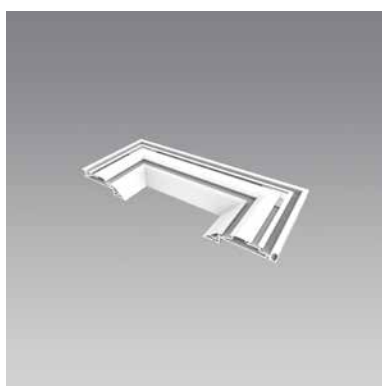
Single-channel >
With LED Modules for Wall Grazing / Art

*Linear LED > Contact us for details

Knife-edge Profile

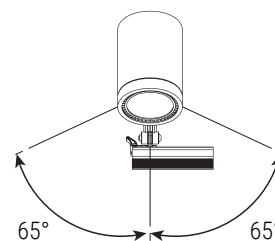
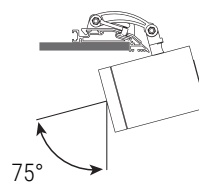
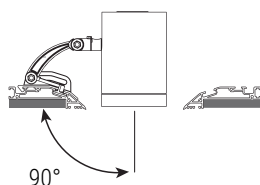
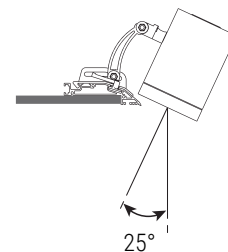
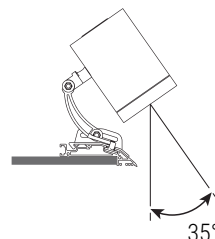
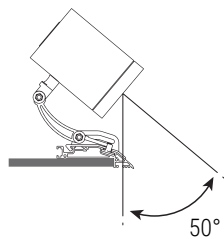


*Requires min 3mm plaster thickness

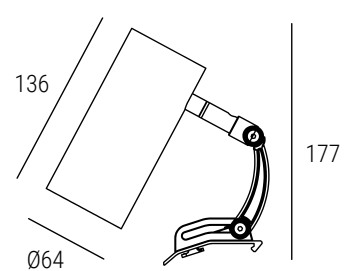
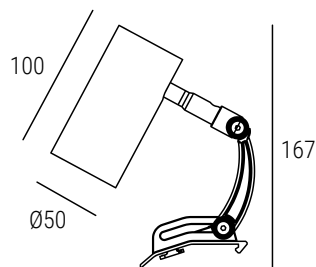
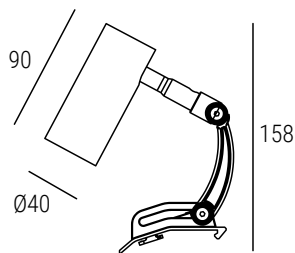


Knife-edge Profile	Finish
1. Knife-edge Profile (L: 2000mm)	White S3KEP.W.2000
	Black S3KEP.B.2000
2. Knife-edge Double-channel End Piece	White S3KEP.W.EP
	Black S3KEP.B.EP

LED Modules - Range of motion >



LED Modules (for Knife-edge Profile)



LED Module_KEP (90+ CRI)	Finish	Beam Angle(s)	Power (W)	Lumens (@ 3000k)
1. LED Module Small	White S3LM.KEP.W.S	18°/23°/35°	6.4w	595 lm
	Black S3LM.KEP.B.S			
2. LED Module Medium	White S3LM.KEP.W.M	12°/20°/35°	12.8w	1304 lm
	Black S3LM.KEP.B.M			
3. LED Module Large	White S3LM.KEP.W.L	17°/24°/36°	24.1w	3032 lm
	Black S3LM.KEP.B.L			

*Order Code Suffix on Page 108

Add-ons > add as suffix to Finish (eg. S3LM.KEP.W.S.HC)



Honeycomb Filter / **.HC**



Asymmetrical Snoot / **.AS**

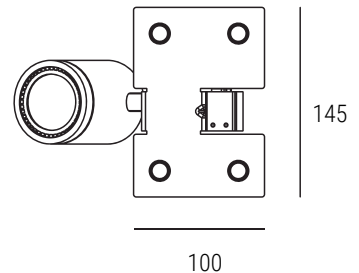
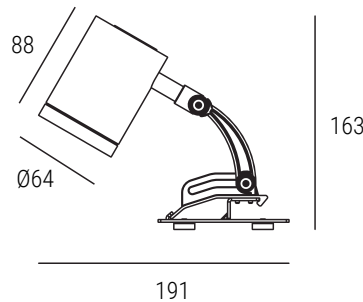
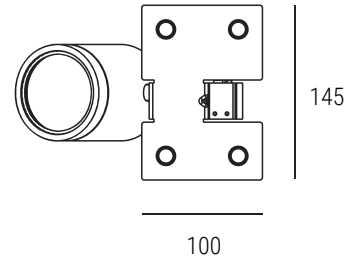
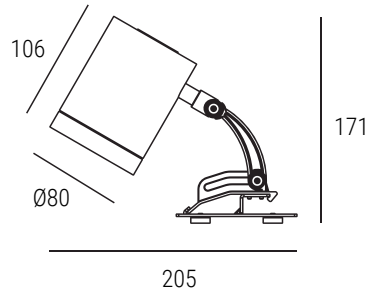


Extended Snoot / **.ES**



Frosted Lens / **.FL**

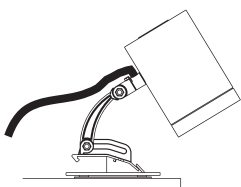
LED Modules (*with Magnetic Base / for use without Knife-edge Profile)



LED Module_MB (90+ CRI)	Finish	Beam Angle(s)	Power (W)	Lumens (@ 3000k)
1. LED Module Ø80	White S3LM.MB80.W	12°/24°/40°	25.5w	2670 lm
	Black S3LM.MB80.B			
2. LED Module Ø64	White S3LM.MB64.W	20°/40°	12.8w	1387 lm
	Black S3LM.MB64.B			

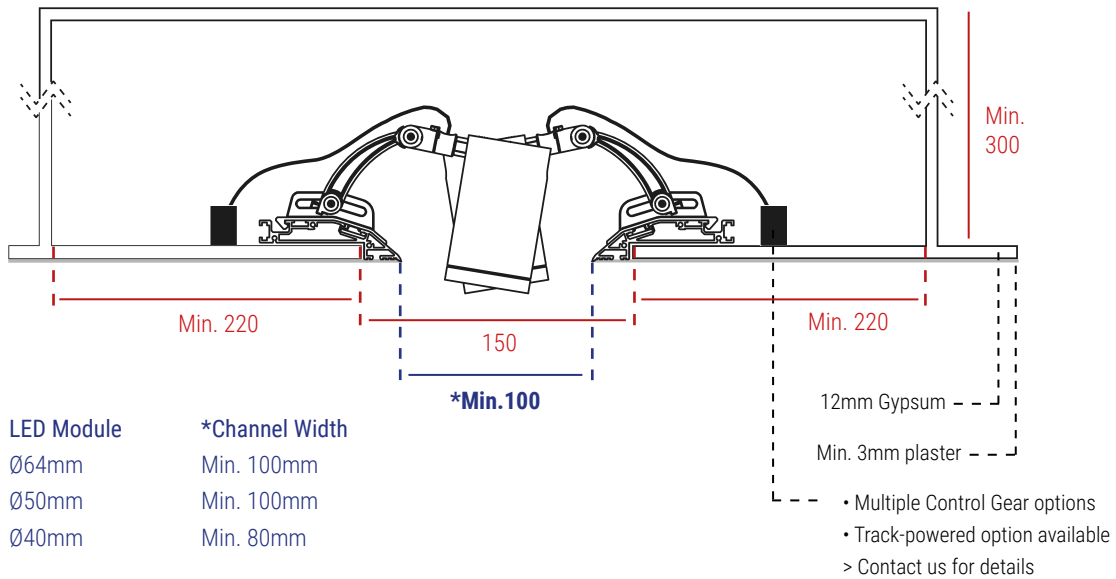
*Order Code Suffix on Page 108

***No Add-ons available for LED Modules_MB**

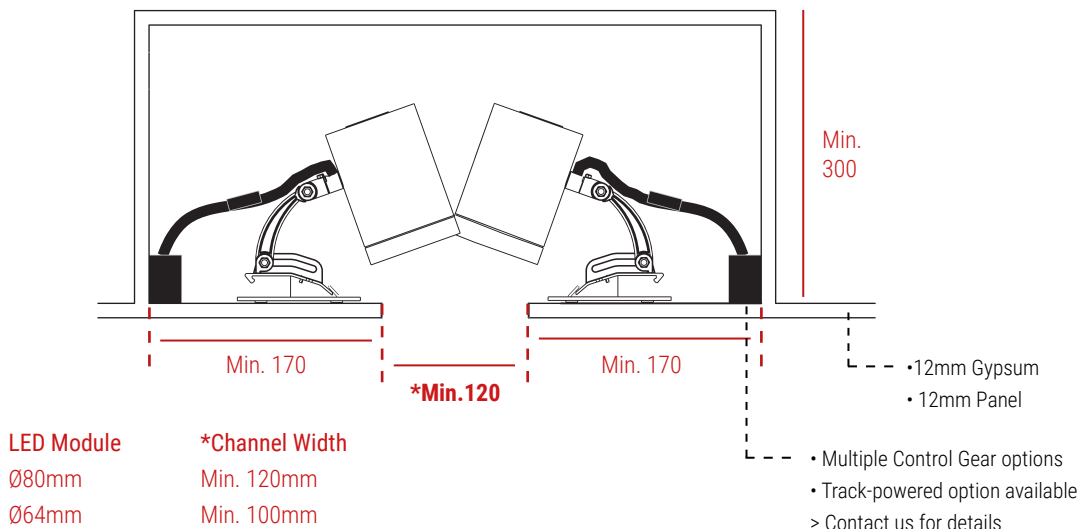


--- ***MAGNETIC BASE MUST BE MOUNTED ON A STEEL PLATE, min. width 100mm** - not supplied by AKC Lighting

Section drawing > Knife-edge Profile



Section drawing > Magnetic Base



Technical support for layouts:

Please send us your Ceiling Plans / Wall Elevations and we will gladly assist your Project requirements, to ensure the correct specs for your design intent within your specified budget. Contact us for further details.

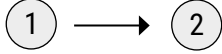
Samples can be provided on request > charges apply.

Specifications subject to change without prior notice. Contact us for Track-powered and Linear LED options

System 3.0 LED Modules > Order Code Suffix

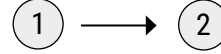
*LED Modules_KEP

LED Module Small



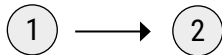
Finish	LED COB	
	3000k / 18° beam	.930.18
	3000k / 23° beam	.930.23
	3000k / 35° beam	.930.35
	4000k / 18° beam	.940.18
	4000k / 23° beam	.940.23
	4000k / 35° beam	.940.35

LED Module Medium



Finish	LED COB	
	3000k / 12° beam	.930.12
	3000k / 20° beam	.930.20
	3000k / 35° beam	.930.35
	4000k / 12° beam	.940.12
	4000k / 20° beam	.940.20
	4000k / 35° beam	.940.35

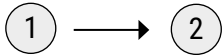
LED Module Large



Finish	LED COB	
	3000k / 17° beam	.930.17
	3000k / 24° beam	.930.24
	3000k / 36° beam	.930.36
	4000k / 17° beam	.940.17
	4000k / 24° beam	.940.24
	4000k / 36° beam	.940.36

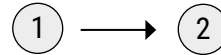
LED Modules_MB

LED Module Ø64



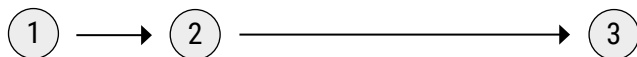
Finish	LED COB	
	3000k / 20° beam	.930.20
	3000k / 40° beam	.930.40
	4000k / 20° beam	.940.20
	4000k / 40° beam	.940.40

LED Module Ø80



Finish	LED COB	
	3000k / 12° beam	.930.12
	3000k / 24° beam	.930.24
	3000k / 40° beam	.930.40
	4000k / 12° beam	.940.12
	4000k / 24° beam	.940.24
	4000k / 40° beam	.940.40

Order Code >



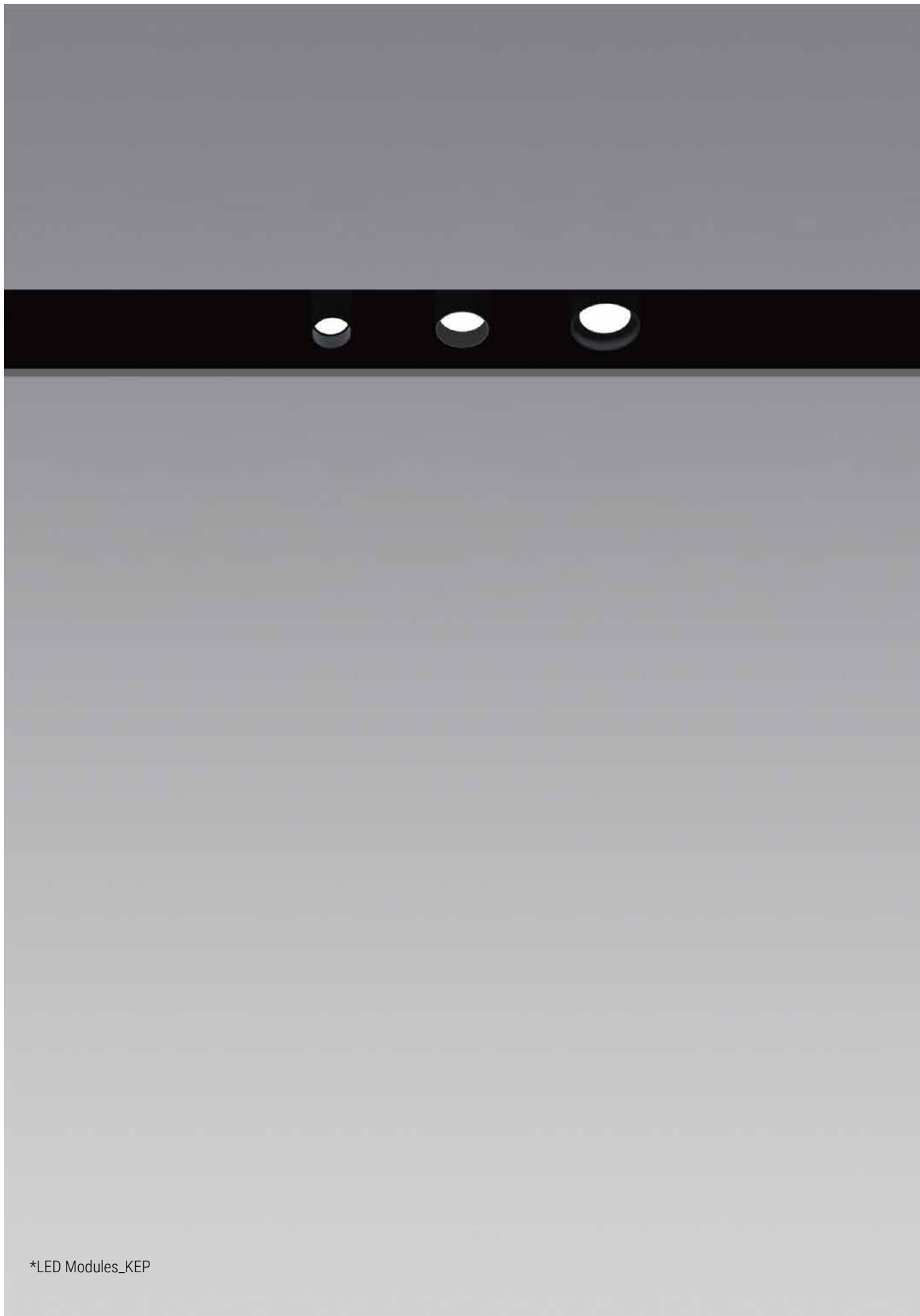
Finish	LED COB	Control Gear
		Phase-cut .P
		1-10v .A
		DALI .D
		Switching .S
		*None .N

Ordering Info > LED Modules_KEP

1. Example: [S3LM.KEP.W.S.HC.930.18.P](#)
2. *None: Where Control Gear is not required standard warranty terms will not apply (see warranty document)

Ordering Info > LED Modules_MB

1. Example: [S3LM.MB64.W.930.20.P](#)
2. *None: Where Control Gear is not required standard warranty terms will not apply (see warranty document)



*LED Modules_KEP

Index >

Downlights / Modular (Recessed + Surface)	Page
LED Engines	12-13
Pinhole	14-15
Pinhole Sq	16-17
Microtrim	18-20
Microtrim Sq	22-23
Optima	26-28
Skate	30-32
Kubik	34-35
Vermont	36-37
Ryder	40-41
Bowdon	42-45
Bowdon TL	46-47
Box Clever	48-50

Wall Markers	Page
Marker	52-53

Downlights / COB (Recessed)	Page
Petite	56-57
Pluto	58-59
Zeta	60-61
Tiny	62-63
Circa	66-67
Deco	68-75
System 2.1	76-81

Track Systems (Recessed + Surface + Pendant)	Page
System 2.0	82-97
Virgo	98-103

Recessed Channel	Page
System 3.0	104-111



Contract-grade Architectural and Decorative Lighting packages,
value engineered without design or technical compromise.

AKC Lighting DWC-LLC
1st Floor Dubai World Central
DWC Business Center
Dubai Logistics City
PO Box 390667
Dubai
UAE

Tel: +971 4 268 9212
Email: info@akclighting.com
Website: akclighting.com