

Virgo

Ø55mm

- Recessed
- Surface
- Track

- Compact Spotlight series
- Multiple mounting options
- Trimless / Surface Track options
- High efficacy LED, 80/90 CRI
- DALI and 0-10v options + more

General

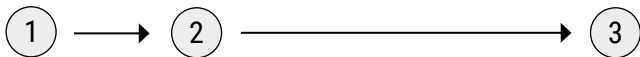
Type	Adjustable Spotlight
Mounting	Ceiling Recessed / Surface / Track
IP-Rating	IP20
Construction	Diecast Aluminium
Operating Temp	-10°C to +40°C
Protection	Class 2
Certification	CE (EN 60598-1)
Warranty	5 years

Technical Data

Power Output	9.1w		
Beam	16°	26°	38°
*Lumen Output	1270 lm	1223 lm	1153 lm
CRI	80 / 90		
Lifetime	50,000h (B80, L10)		
Control Gear	Integrated Driver (Track only) / Remote driver		
Drive Current	350mA		
Forward Voltage	26v		

*Lumen output = delivered lumens / 3000k / 80 CRI

Order Code (Fixtures only)



Finish

LED COB

80 CRI	.8	2700k / 13° beam	27.13
90 CRI	.9	2700k / 25° beam	27.25
		2700k / 38° beam	27.38
		3000k / 13° beam	30.13
		3000k / 25° beam	30.25
		3000k / 38° beam	30.38
		4000k / 13° beam	40.13
		4000k / 25° beam	40.25
		4000k / 38° beam	40.38

Control Gear (*Phase option not available for Tracklight)

Phase-cut	.P
1-10v	.A
*DALI	.D
*Switching	.S
None	.N

Ordering Info:

1. Example: **A375W.827.38.P**
2. None: Where Control Gear is not required standard warranty terms will not apply (see warranty document)
3. Add-ons: Include Add-on Code(s) after Order Code - more than one Add-on can be specified
4. This fixture uses a reflector for secondary optics

> Alternative optics now available - lens series can be specified. Pls contact us for further details.

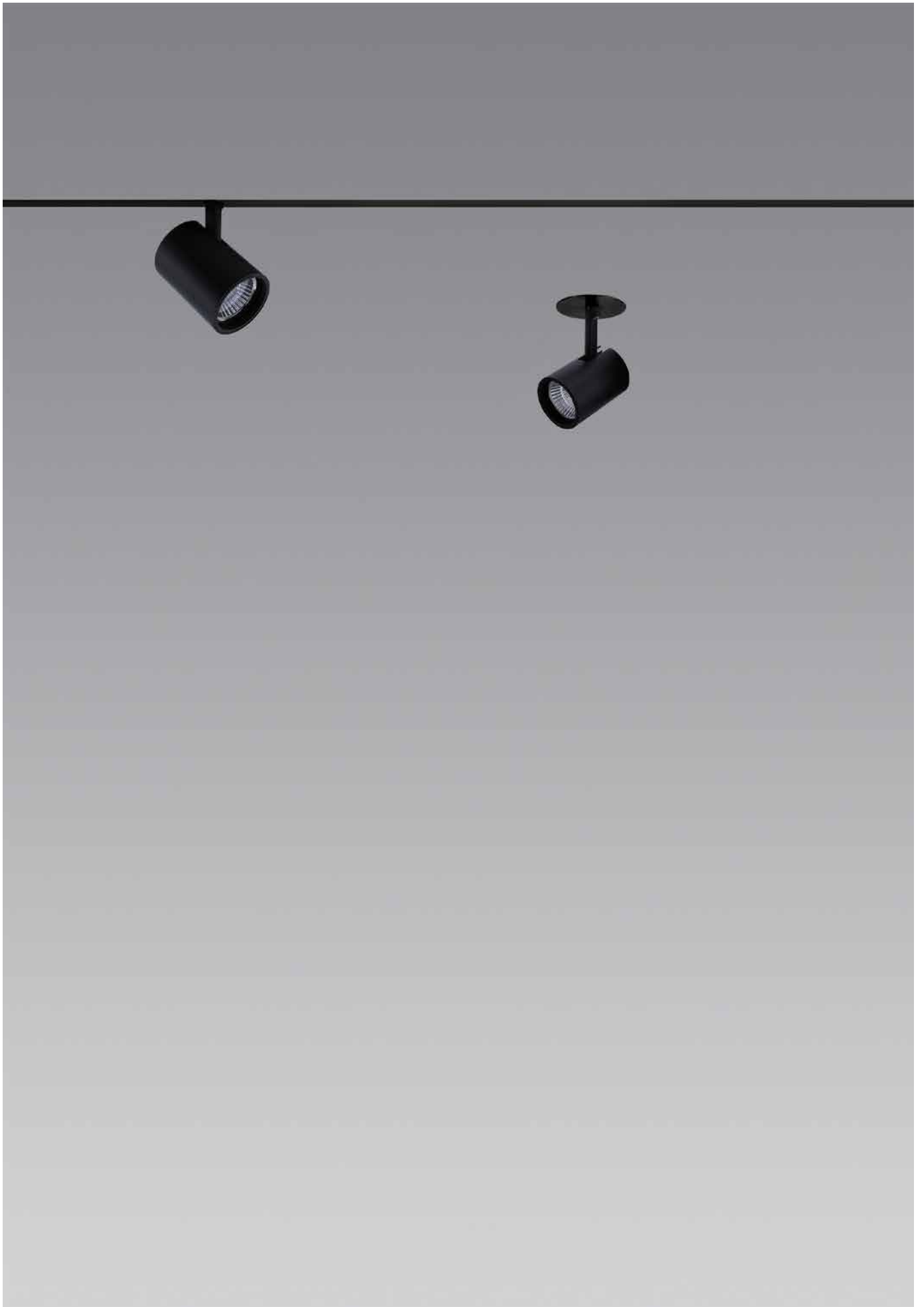
Add-ons

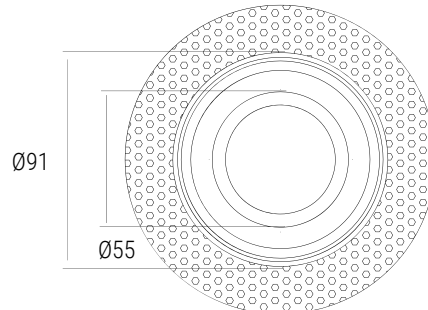
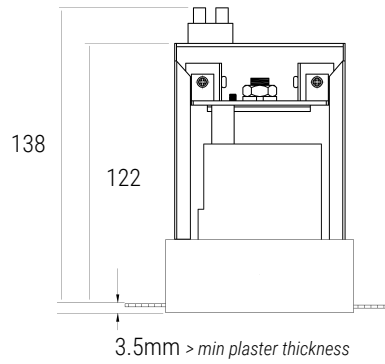
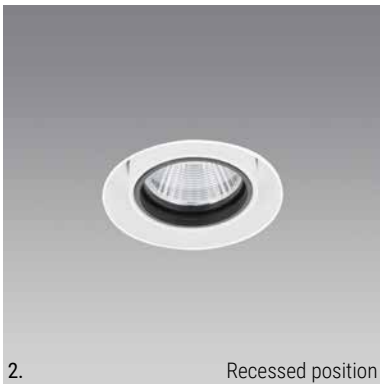
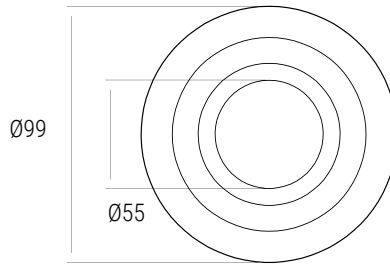
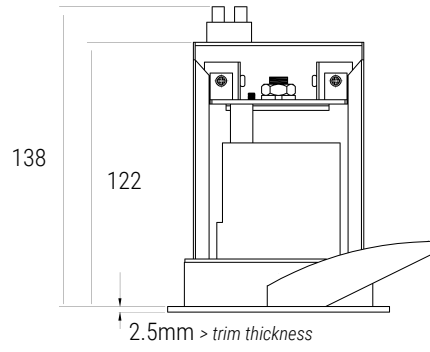


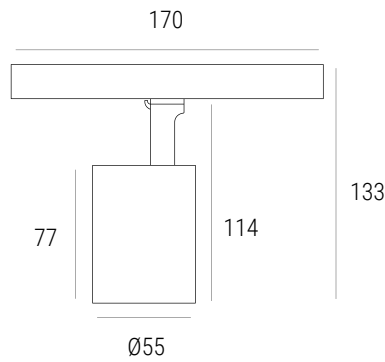
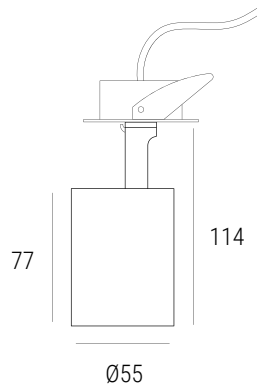
Honeycomb Filter
.HC



Frosted Lens
.FL







Variant	Finish	Cut-out	Tilt	Rotate
1. Recessed Spotlight	White A392W	Ø91mm	90°	355°
	Black A392B			
2. Recessed Trimless Spotlight	White A392TLW			
	Black A392TLB			
3. Surface Spotlight	White A392SFW	Ø55mm	90°	355°
	Black A392SFB			
4. Tracklight 48v Single	White T403SW	n/a		
	Black T403SB			
5. Tracklight 48v Double <i>(not shown)</i>	White T403DW			
	Black T403DB			

Virgo Tracklight for other types of track are also available, on request > customisation for your required application is also possible.

Contact us with details of your Project's requirements.



Virgo for Single-phase track

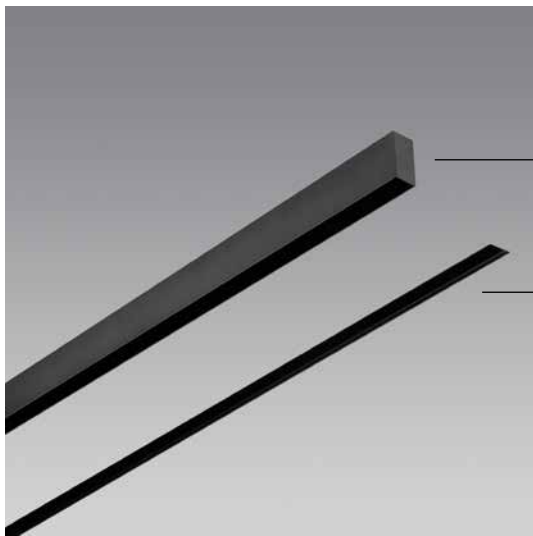


Virgo for Three-phase track



Virgo XL for Single-phase track

Virgo > 48v Track



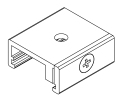
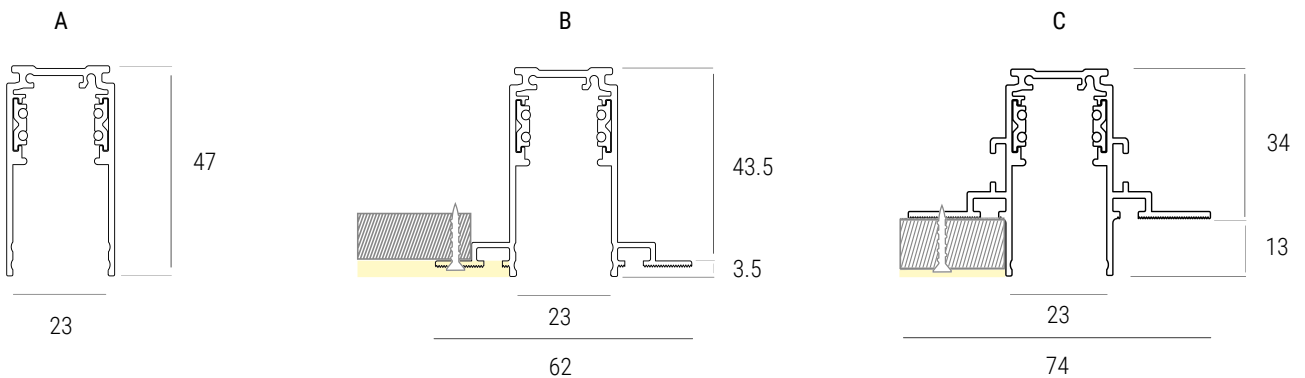
*Track A - Surface-mount / Pendant

Track B - Recessed Trimless (Retrofit Ceiling)

Track C - Recessed Trimless (New Ceiling)

*Track A >

- Surface-mount > requires 2 x Surface clips per metre
- Pendant > requires Pendant Kit (PK-R / PK-W)

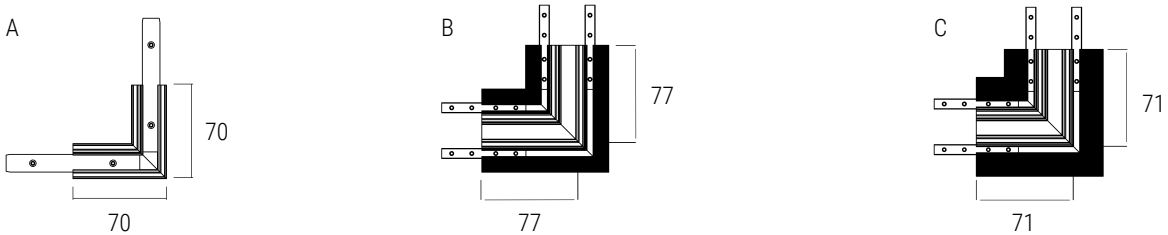


Surface Clip x 2
(Ceiling-mount)
Code: **SFC2**

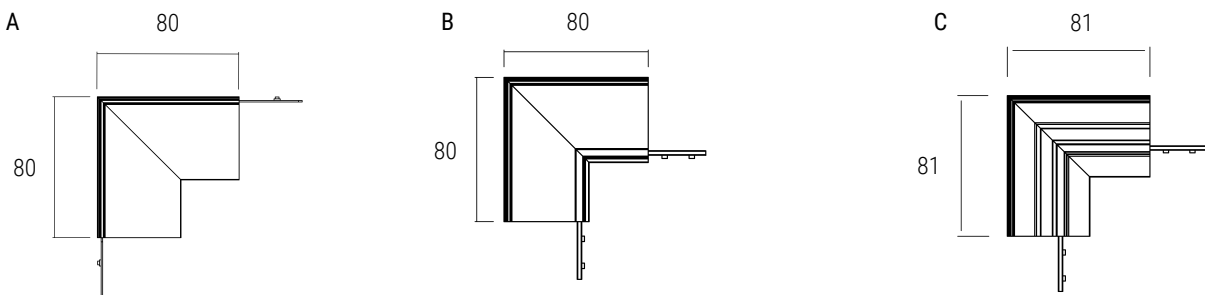
Suitable for existing ceilings with 12mm+ gypsum board. Requires min 3.5mm plaster thickness

Requires max 1mm plaster thickness when using 12mm gypsum board. Also suitable for 12mm Panel (MDF, etc)

Corners / Horizontal > for ceiling only



Corners / Vertical > for wall-to-ceiling



Order Code (Track only)

1	2	3
Track	Length	Finish
Virgo Track A VT.A	1000mm .1	Black .BK
Virgo Track B VT.B	2000mm .2	White .WT
Virgo Track C VT.C	3000mm .3	
	4000mm .4	

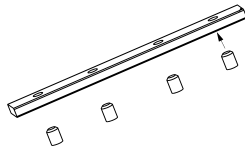
Order Code (Corners only)

1	2
Corner	Finish
Horizontal A HCVT.A	Black .BK
Horizontal B HCVT.B	White .WT
Horizontal C HCVT.C	
Vertical A VCVT.A	
Vertical B VCVT.B	
Vertical C VCVT.C	

Track Accessories

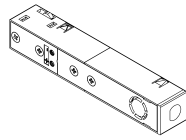
Item / Code

Track-to-track Connector /
T2T.A (Track A)
T2T.BC (Track BC)

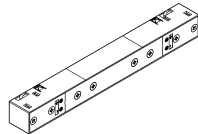


Live End (Left) /
LE.L

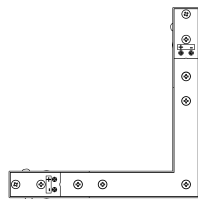
Live End (Right) /
LE.R



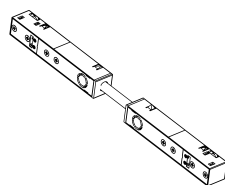
Straight Power Connector /
SPC



Corner Power Connector /
CPC

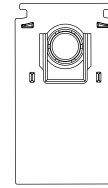


Flexible Power Connector /
FPC

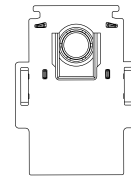


Item / Code

End Cap > Track A & Track B /
EC-1



End Cap > Track C /
EC-2



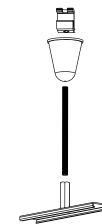
Blind Cover /
BC

**supplied according to
 specified track lengths*



*Pendant Kit > 1m Rod /
PK-R

* Track A only



*Pendant Kit > 3m Wire
PK-W

* Track A only

