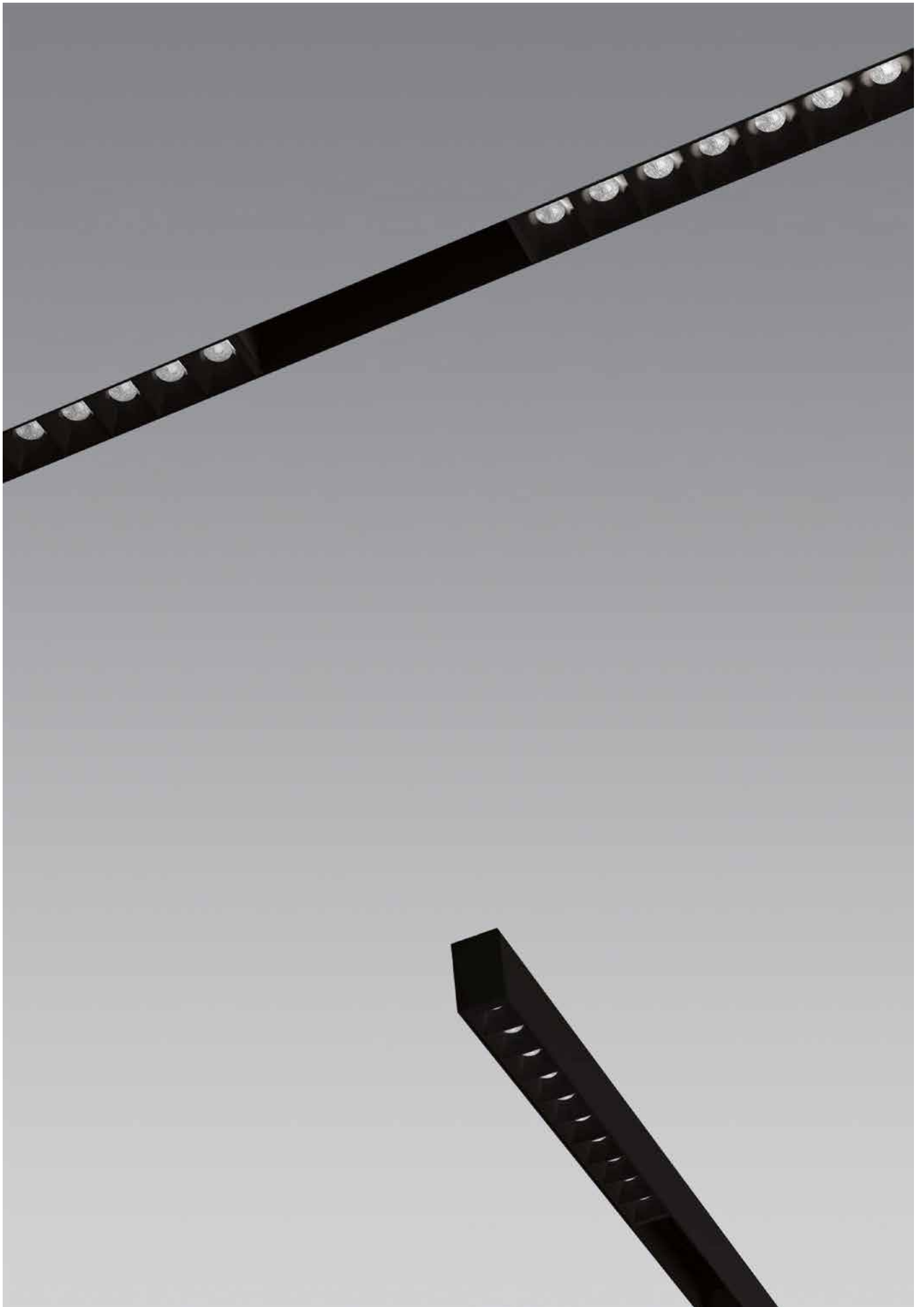


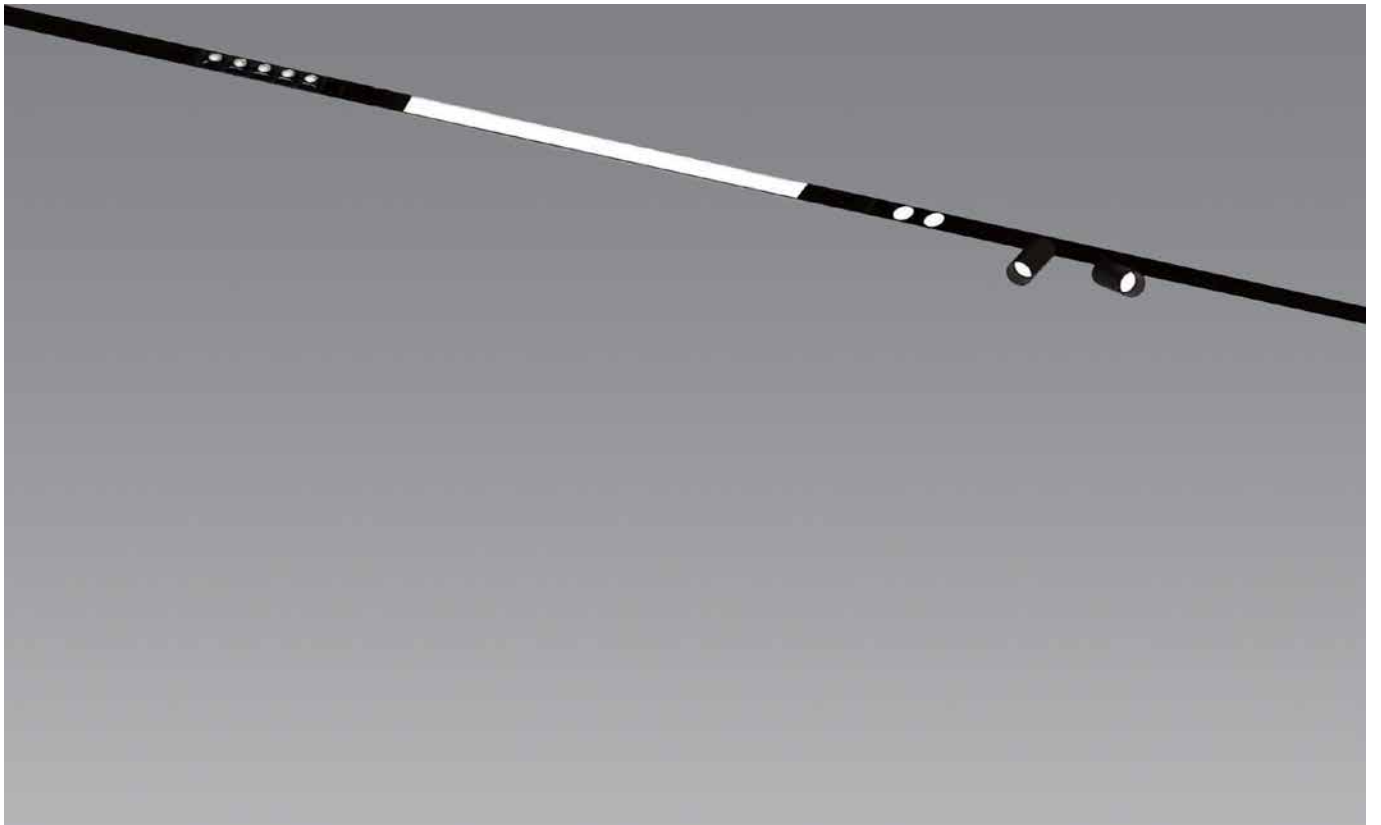
System 2.0

- Low voltage 38mm Track Series
- Multiple mounting options
- Multiple light source options
- 90+ CRI LED (3 SDCM)
- DALI and 0-10v / 1-10v options

System 2.0 is a multi-use, low-voltage track system that can be used in a range of Interior environments, high-end Residential in particular. Ideally suited for multi-functional spaces, System 2.0 provides the Designer with flexible options including spotlights, pendant, linear lighting and downlights.

A choice of mounting options allows Designers to create a tailored lighting scheme with consistency in both aesthetics and technical performance.





Recessed Track Trimless > 5-LED Downlight / 603mm Linear LED / Double-spot, Accent / 2 x Track Light 6.4w

Recessed Track Trimless > Double-spot, Ambient / Pendant 6.4w / 10-LED Downlight

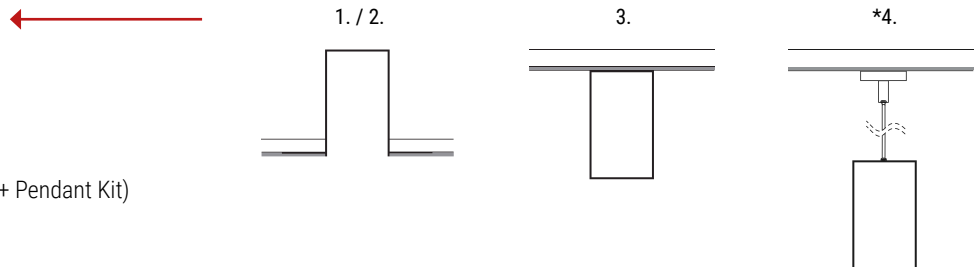


System 2.0 Components

Architectural needs are now matched with product design with System 2.0 > this versatile track system enables a mix of high-performance fixtures to be specified, giving the Designer complete flexibility.

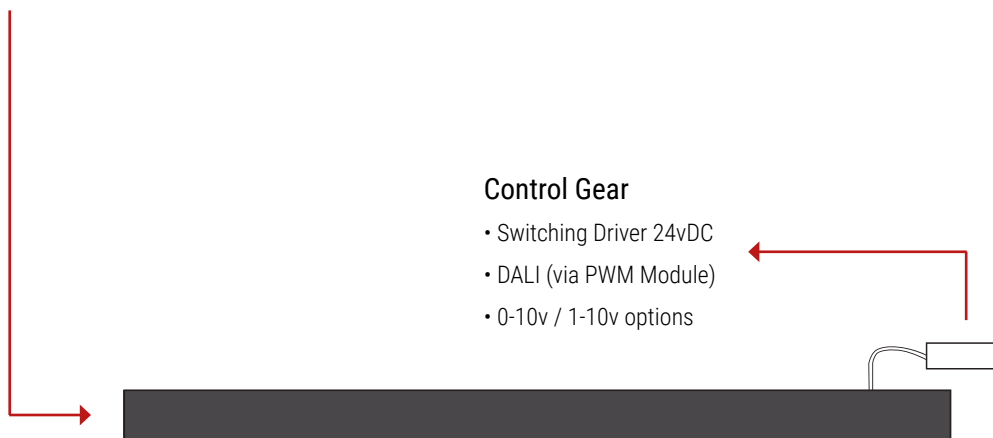
Track Options

1. Recessed Track Trimless
2. Recessed Track Flange
3. Surface Track
4. Pendant Track (*Surface Track + Pendant Kit)



Control Gear

- Switching Driver 24vDC
- DALI (via PWM Module)
- 0-10v / 1-10v options



Track Lights + Pendant

- Ø40mm Track Light
- Ø64mm Track Light
- Ø40mm Pendant

Double-spots

- Double-spot, Accent
- Double-spot, Ambient

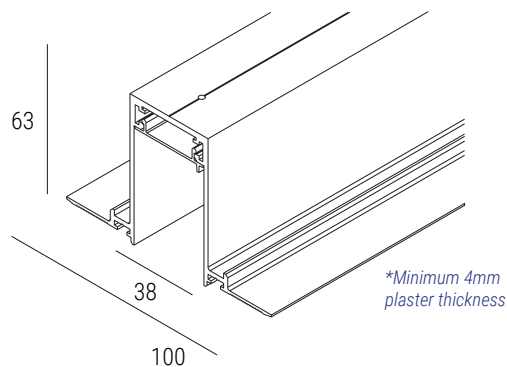
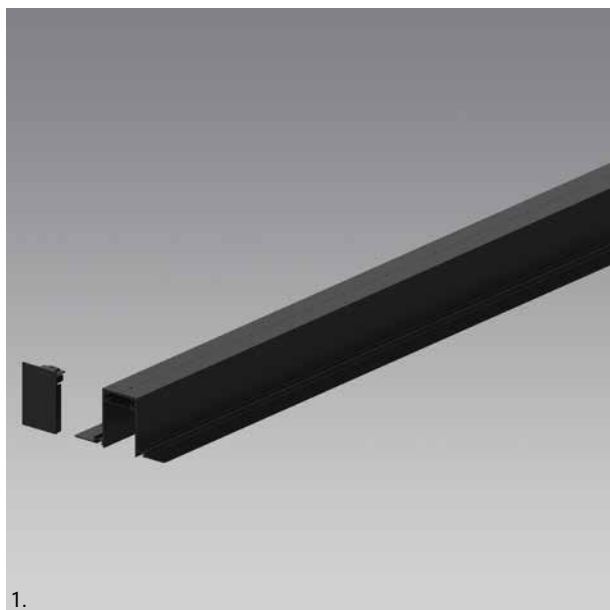
Linear LED

- 303mm Linear LED
- 603mm Linear LED
- 903mm Linear LED
- Continuous Line of Light

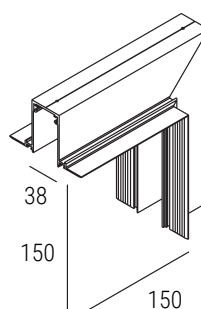
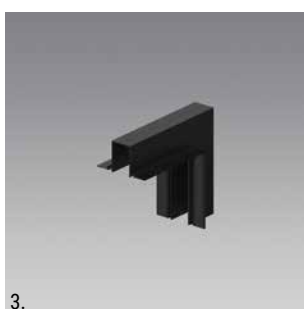
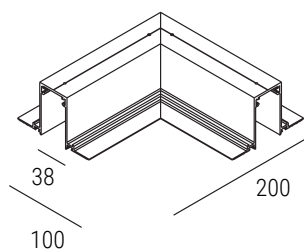
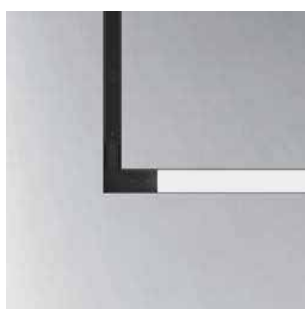
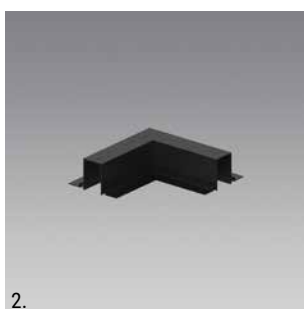
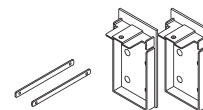
Downlights

- 5- LED Downlight
- 10-LED Downlight
- Wallwasher

Recessed Track Trimless

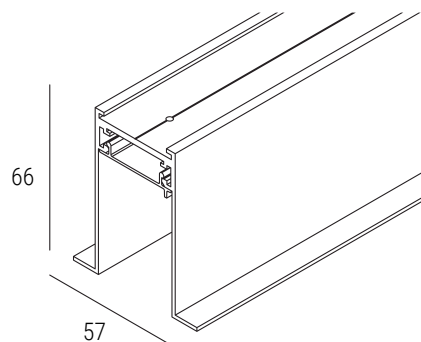
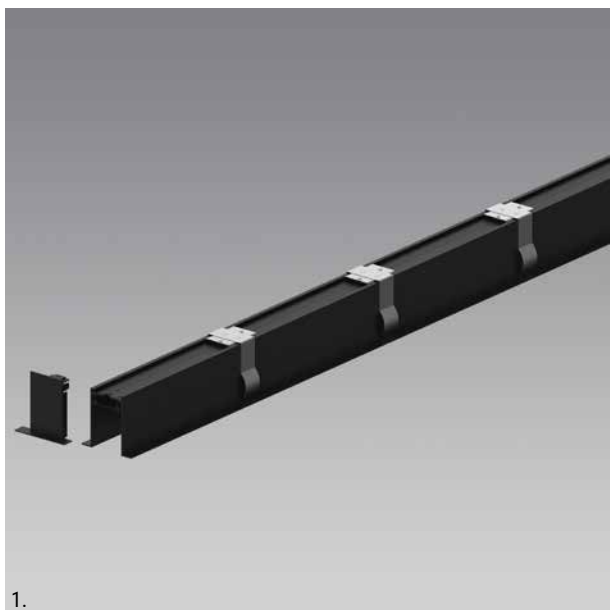


Each piece of Recessed Track Trimless includes:
 • 1 pair of end caps
 • 1 pair of profile connectors
 *For Flange Track 1pc support clip also included

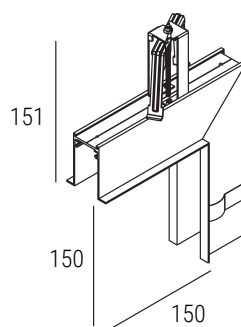
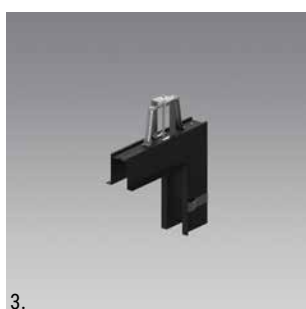
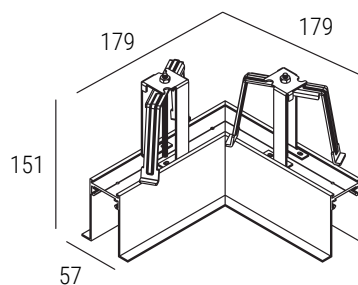
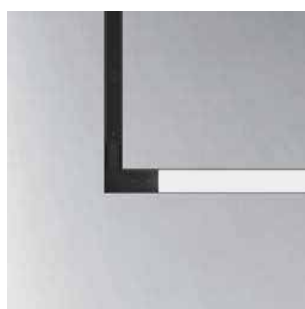
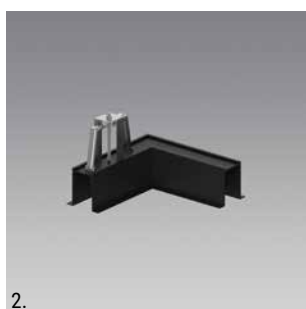
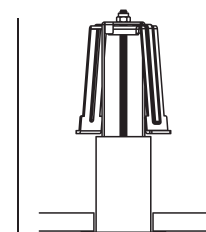


Recessed Track Trimless	Finish	L = 1500mm	L = 2100mm	L = 2500mm
1. Recessed Track Trimless	White	S2RTT.W.1500	S2RTT.W.2100	S2RTT.W.2500
	Black	S2RTT.B.1500	S2RTT.B.2100	S2RTT.B.2500
2. Trimless Horizontal Corner	White	S2RTT.W.HC	-	-
	Black	S2RTT.B.HC	-	-
3. Trimless Vertical Corner	White	S2RTT.W.VC	-	-
	Black	S2RTT.B.VC	-	-

Recessed Track Flange

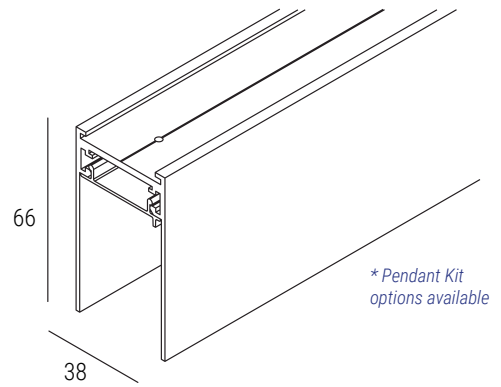
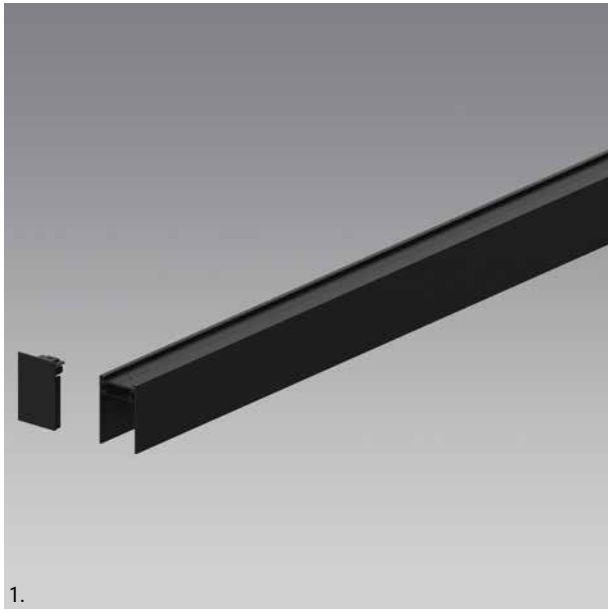


Height with support clip = 151



Recessed Track Flange	Finish	L = 1500mm	L = 2100mm	L = 2500mm
1. Recessed Track Flange	White	S2RTF.W.1500	S2RTF.W.2100	S2RTF.W.2500
	Black	S2RTF.B.1500	S2RTF.B.2100	S2RTF.B.2500
2. Flange Horizontal Corner	White	S2RTF.W.HC	-	-
	Black	S2RTF.B.HC	-	-
3. Flange Vertical Corner	White	S2RTF.W.VC	-	-
	Black	S2RTF.B.VC	-	-

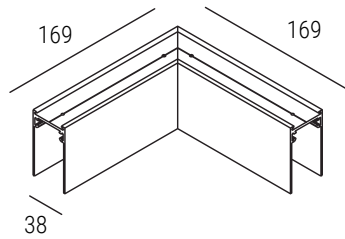
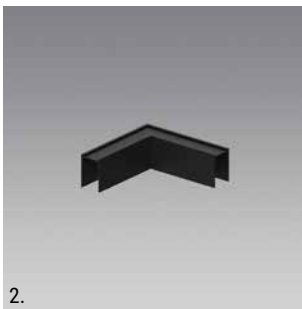
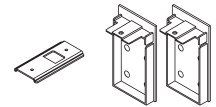
Surface Track



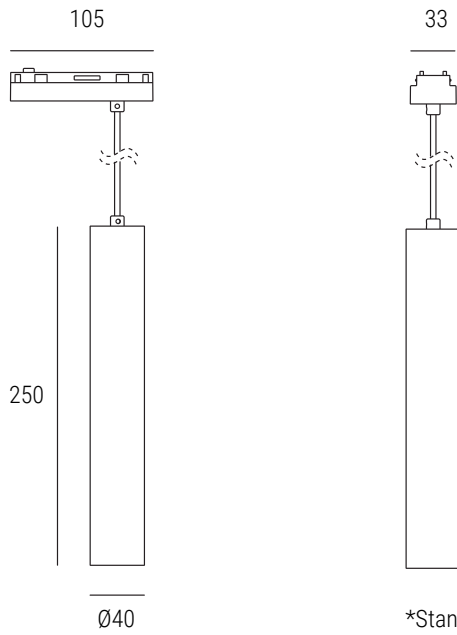
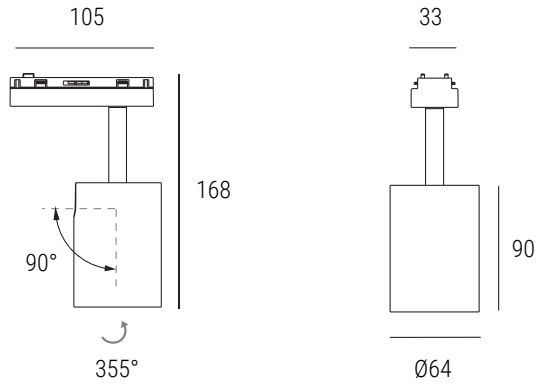
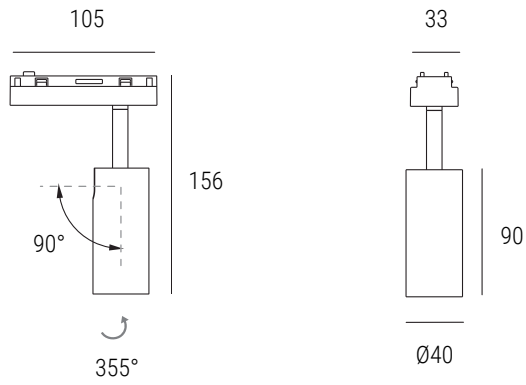
Each piece of Surface Track includes:

- 1 pair of end caps
- 1 pair of mounting clips

*For Pendant Kit refer to Accessories on Page 78



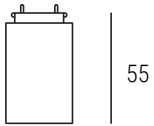
Surface Track	Finish	L = 1500mm	L = 2100mm	L = 2500mm
1. Surface Track	White	S2ST.W.1500	S2ST.W.2100	S2ST.W.2500
	Black	S2ST.B.1500	S2ST.B.2100	S2ST.B.2500
2. Surface Horizontal Corner	White	S2ST.W.HC	-	-
	Black	S2ST.B.HC	-	-



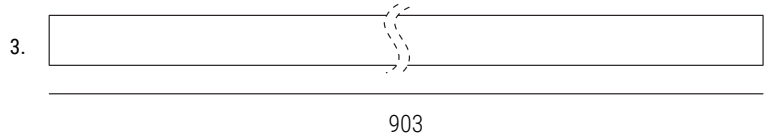
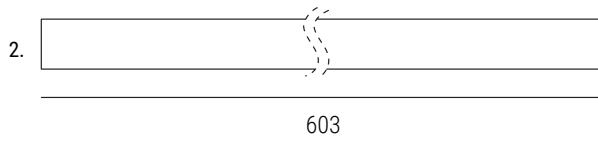
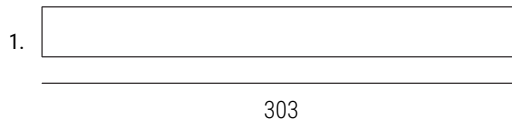
*Standard Cable length = 1100mm
Contact us for custom length

Track Lights + Pendant	*Finish	Tilt	Rotate	Lumens (@ 3000k)
1. Track Light 6.4w	White <i>S2TL40W</i>	90°	355°	626 lm
	Black <i>S2TL40B</i>			
2. Track Light 12.7w	White <i>S2TL64W</i>	90°	355°	1114 lm
	Black <i>S2TL64B</i>			
3. Pendant 6.4w	White <i>S2PL40W</i>	-	-	626 lm
	Black <i>S2PL40B</i>			

*Order Code Suffix on Page 96



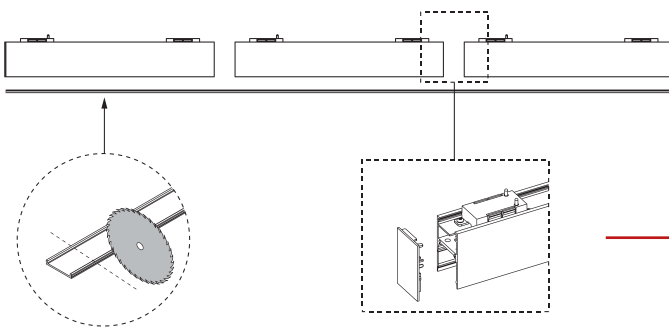
33



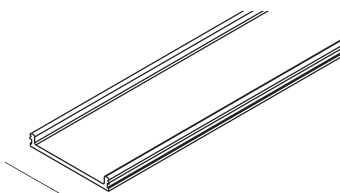
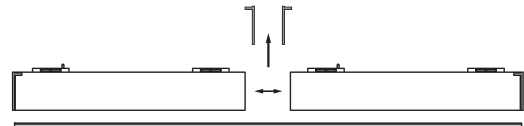
Linear LED (80+ CRI)	*Finish	Beam Angle	Power (W)	Lumens (@ 3000k)
1. 303mm Linear LED	White S2LL303W	115°	9.2w	472 lm
	Black S2LL303B			
2. 603mm Linear LED	White S2LL603W	115°	18.4w	1197 lm
	Black S2LL603B			
3. 903mm Linear LED	White S2LL903W	115°	27.5w	1428 lm
	Black S2LL903W			

*Order Code Suffix on Page 96

Seamless Line of Light > Linear LED up to 15m long with zero joints in the diffuser

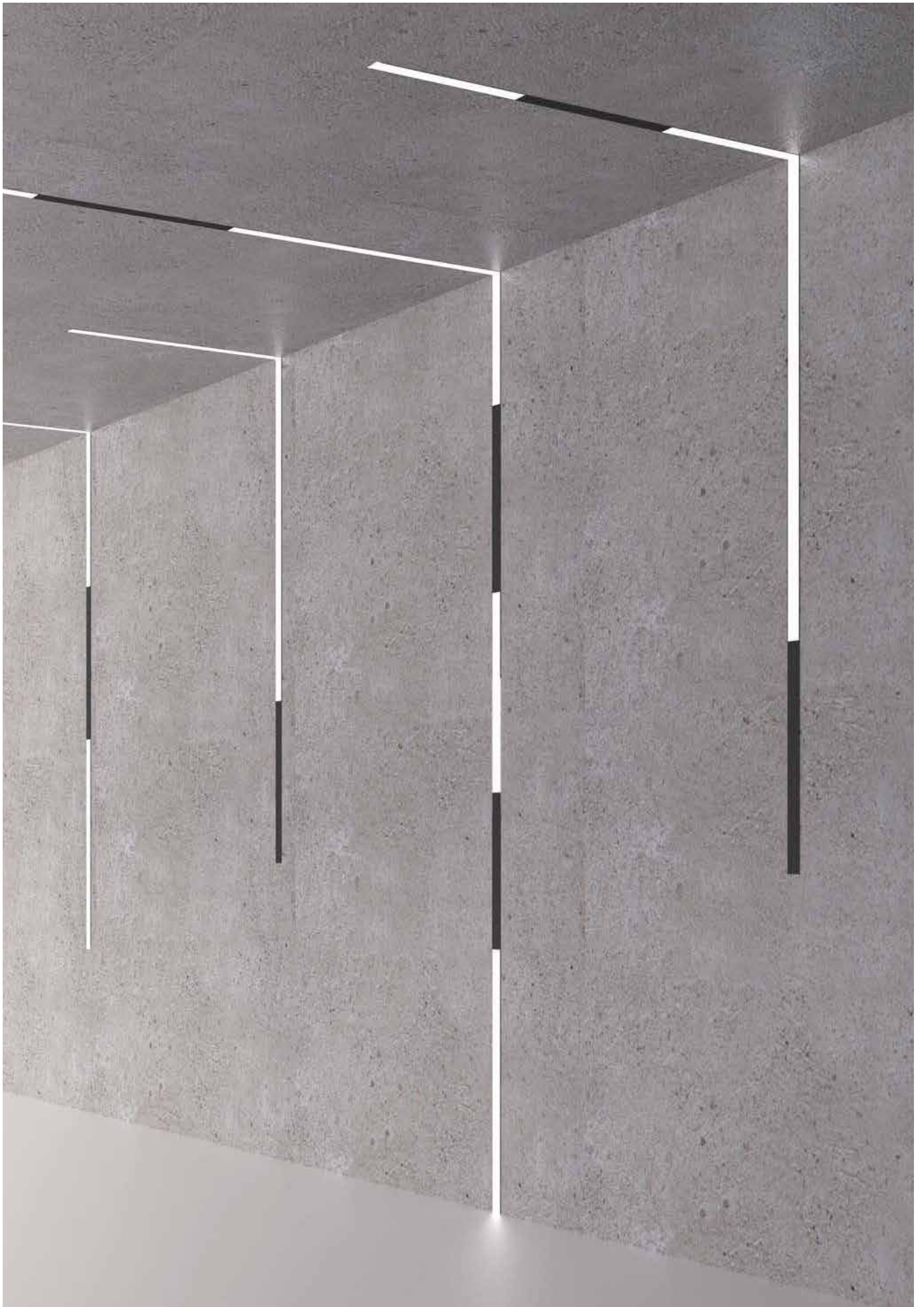


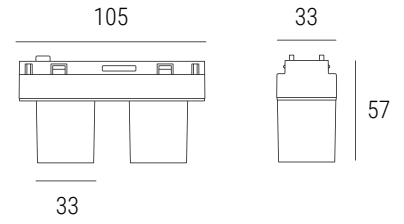
Seamless Line of Light can be created at Site by removal of the Linear LED endcaps. Once removed, fixtures are placed side-by-side and the roll of PC diffuser can be cut-to-size, according to Site requirements. Joint-free, homogenous linear LED up to 15m in a single run > see Accessory Code for PC diffuser Rolls below.



31

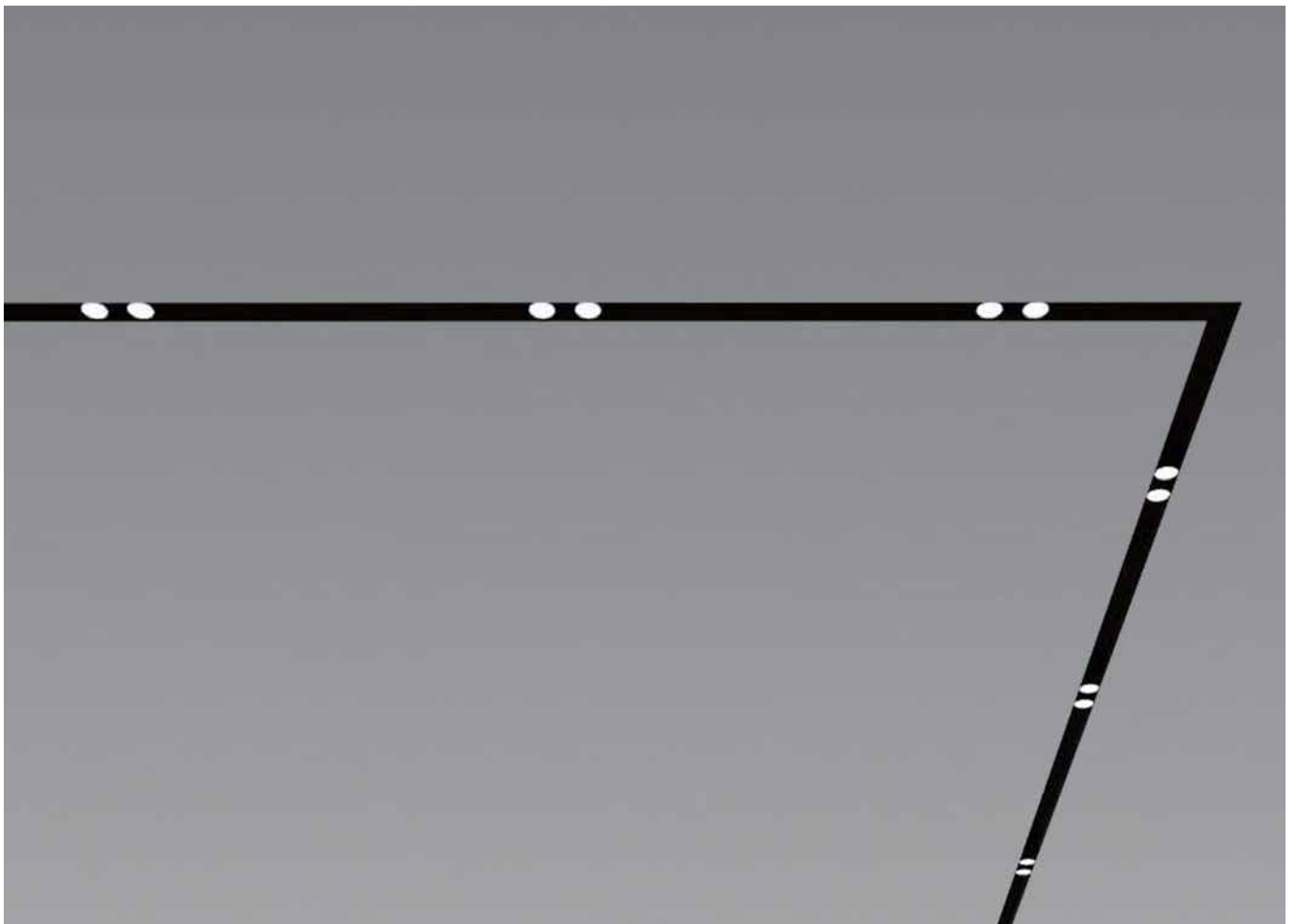
PC Diffuser	Accessory Code
15m Roll	PCD15M
4m Roll	PDC4M

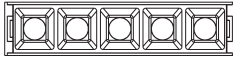
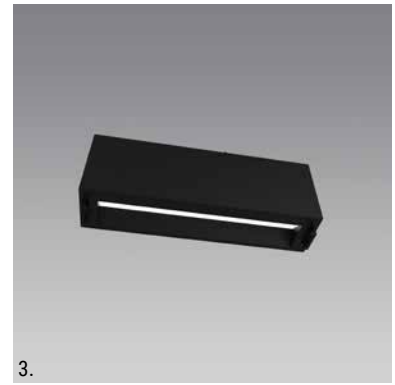
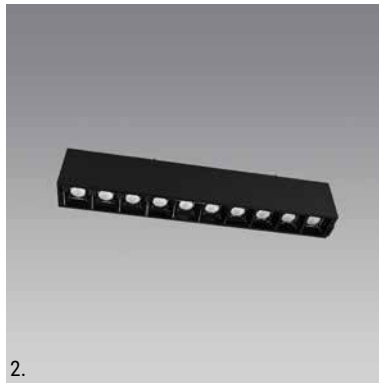




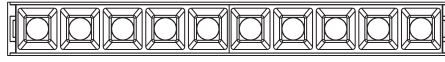
Double-spots (90+ CRI)	Finish	Beam Angle	Power (W)	Lumens (@ 3000k)
1. Double-spot Ambient	White S2DSAMW	90°	4.6w	214 lm
	Black S2DSAMB			
2. Double-spot Accent	White S2DSACW	19° / 35°	5.3w	399 lm
	Black S2DSACB			

*Order Code Suffix on Page 96

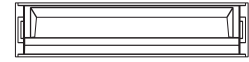




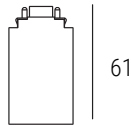
143



276

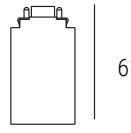


143



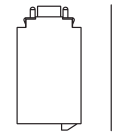
61

33



61

33



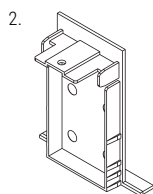
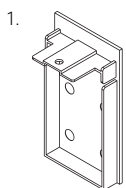
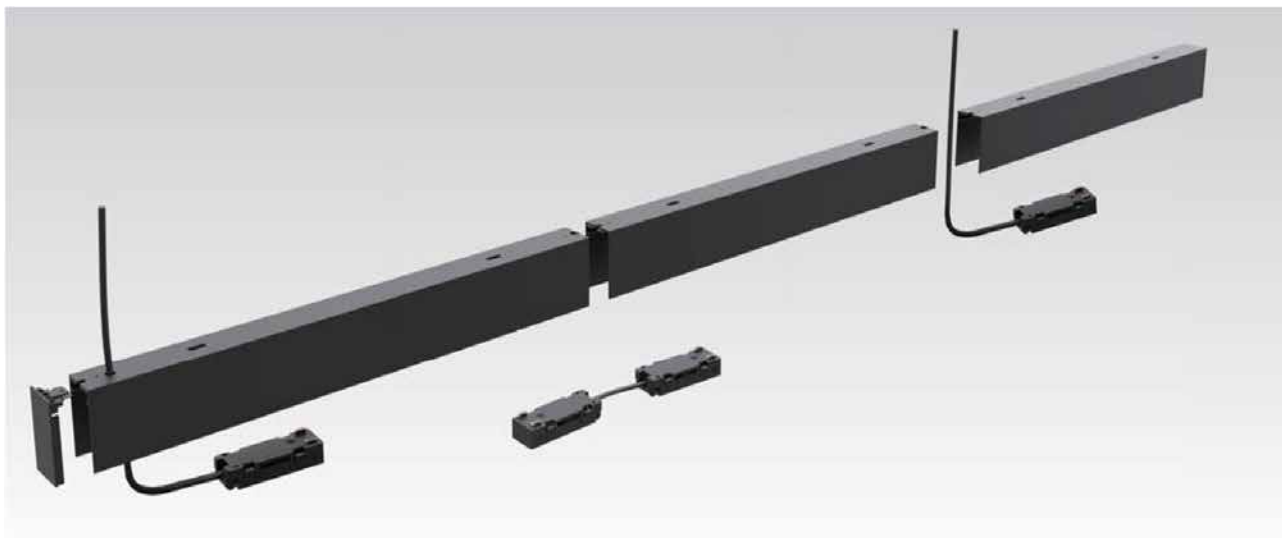
64

33

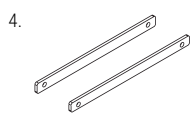
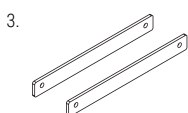
Standard Downlights (90+ CRI)	Finish	Beam Angle(s)	Power (W)	Lumens (@ 3000k)
1. 5-LED Downlight	White / Black Reflector S25L.WT.BR	15°/30°/40°	11w	1020 lm
	White / White Reflector S25L.WT.WR			
	Black / Black Reflector S25L.BT.BR			
	Black / White Reflector S25L.BT.WR			
2. 10-LED Downlight	White / Black Reflector S210L.WT.BR	15°/30°/40°	22w	2040 lm
	White / White Reflector S210L.WT.WR			
	Black / Black Reflector S210L.BT.BR			
	Black / White Reflector S210L.BT.WR			
3. Wallwasher	White S2WWW	Asymmetric	11w	462 lm
	Black S2WWB			

*Order Code Suffix on Page 96

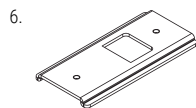
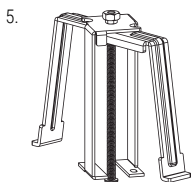
Track Accessories



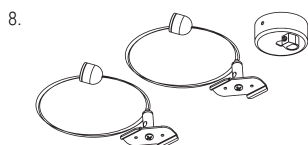
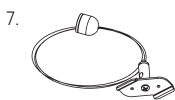
Item	Accessory Code
1. End Cap > for Trimless and Surface Tracks	EC1
2. End Cap > for Track with Flange	EC2



Item	Accessory Code
3. Track Connector pair (Surface/Flange)	TC1
4. Track Connector pair (Trimless Track)	TC2



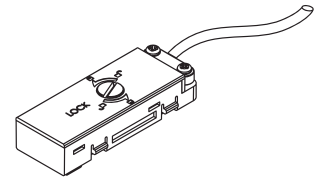
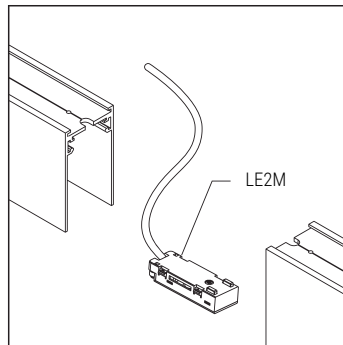
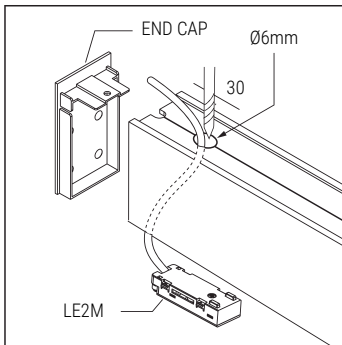
Item	Accessory Code
5. Flange Track Support clip	FTSC
6. Surface Track Ceiling Plate	SMCP



Item	Accessory Code
7. Pendant Suspension Cable (L: 1500mm)	EC1
8. Pendant Kit incl Power cord ceiling hub	EC2

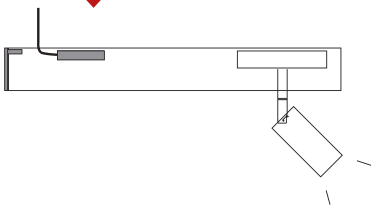
Power Connectors

Live end with 2m cable for single and multi-circuit wiring > connects directly to 24vDC Driver

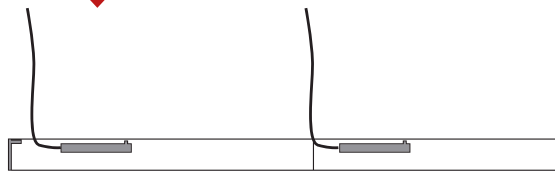


Item	Accessory Code
Live End	LE2M

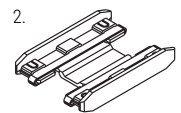
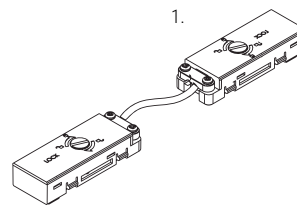
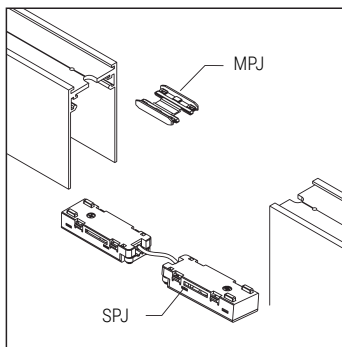
Single circuit /
Single Track



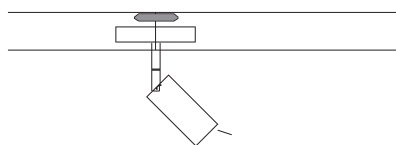
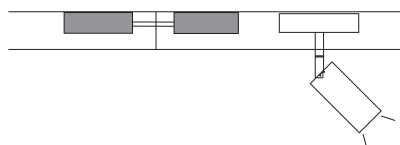
Multi-circuit /
Multi-track



Power joints for track-to-track single-circuit wiring (Max wattage 150w / Max length 10m)



Single circuit / track-to-track



Item	Accessory Code
1. Power Joint	SPJ
2. Mini Joint	MPJ

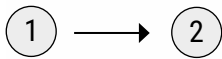
1. Power Joint > suitable for longer track runs (5m+)

2. Mini Joint > suitable for placement above the fixture



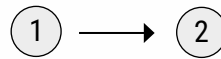
System 2.0 Configurable Components > Order Code Suffix

Track Light 6.4w / Pendant 6.4w



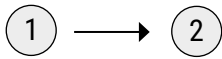
Finish	LED COB	
	3000k / 10° beam	.930.10
	3000k / 20° beam	.930.20
	4000k / 10° beam	.940.10
	4000k / 20° beam	.940.20

Track Light 12.7w



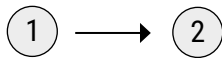
Finish	LED COB	
	3000k / 16° beam	.930.16
	3000k / 21° beam	.930.21
	3000k / 35° beam	.930.35
	4000k / 16° beam	.940.16
	4000k / 21° beam	.940.21
	4000k / 35° beam	.940.35

Linear LED (303 / 603 / 903mm)



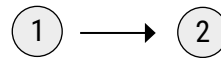
Finish	SMD LED	
	3000k	.930
	4000k	.940

Double-spot, Ambient 4.6w



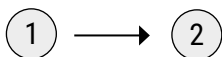
Finish	SMD LED	
	3000k	.930
	4000k	.940

Double-spot, Accent 5.3w



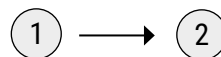
Finish	LED COB	
	3000k / 19° beam	.930.19
	3000k / 35° beam	.930.35
	4000k / 19° beam	.940.19
	4000k / 35° beam	.940.35

5-LED / 10-LED Downlight



Finish	SMD LED	
	3000k / 15° beam	.930.15
	3000k / 30° beam	.930.30
	3000k / 40° beam	.930.40
	4000k / 15° beam	.940.15
	4000k / 30° beam	.940.30
	4000k / 40° beam	.940.40

Wallwasher



Finish	SMD LED	
	3000k	.930
	4000k	.940

Control Gear >

Switching Driver	Code
75w / 24vDC / IP20	S75
150w / 24vDC / IP20	S150

PWM > DALI Converter	Code
1 Channel / 10A	DC1
2 Channel / 10A	DC2
3 Channel / 6A	DC3
4 Channel / 5A	DC4

0-10v / 1-10v	Code
Analogue dimming module	ADM1

Technical support for layouts:

Please send us your Ceiling Plans / Wall Elevations and we will gladly assist your Project requirements, to ensure the correct specs for your design intent within your specified budget. Contact us for further details.

Samples can be provided on request > charges apply.

Specifications subject to change without prior notice. Contact us for alternative Control Gear options