

Skate

Ø90mm
Ø102mm

- Family of Fixed Downlights
- Ideal for Residential / Hospitality
- Recessed and Surface variants
- Front-loading for easy re-lamping
- Two diameter sizes

General

Type	Fixed Downlight
Mounting	Ceiling Recessed / Ceiling Surface
IP-Rating	IP20 / IP54
Construction	Diecast Aluminium
Operating Temp	-10°C to +40°C
Protection	Class 2
Certification	CE (EN 60598-1)
Warranty	5 years

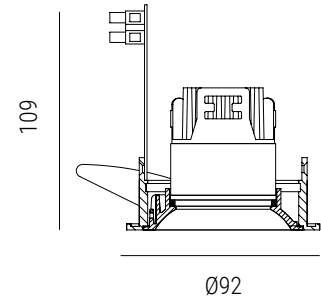
Order Code

①	→	②	→	③
Finish		LED Engine		Control Gear
		8.9w .9 80 CRI .8 2700k / 12° beam 27.12		Phase-cut .P
		12.2w .12 90 CRI .9 2700k / 24° beam 27.24		1-10v .A
		2700k / 38° beam 27.38		DALI .D
		3000k / 12° beam 30.12		Switching .S
		3000k / 24° beam 30.24		*None .N
		3000k / 38° beam 30.38		
		4000k / 12° beam 40.12		
		4000k / 24° beam 40.24		
		4000k / 38° beam 40.38		
①	→	②		
Finish		Lamp		
		GU10 (not incl) .10		
		MR16 (not incl) .16		

Add-ons	→	Honeycomb Filter .HC
		Frosted Lens .FL

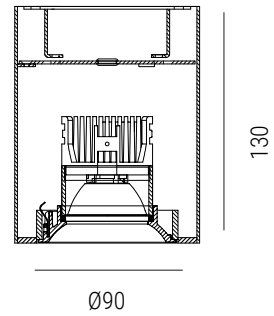
Ordering Info:

1. Example: **A333W.9.827.38.P**
2. *None: Where Control Gear is not required standard warranty terms will not apply (see warranty document > akclighting.com)
3. Add-ons: Include Add-on Code(s) after Order Code - more than one Add-on can be specified (where applicable)



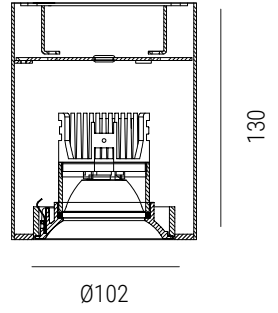
Variant	Finish	Cut-out	Tilt	Rotate
1. Skate	White A333W	Ø85mm	-	-
	Black A333B			
2. Skate IP54	White A334W	Ø85mm	-	-
	Black A334B			

*IP54 includes clear glass cover to aperture (frosted glass available on request)



Variant	Finish	Cut-out	Tilt	Rotate
1. Skate SF90	White A335W	-	-	-
	Black A335B			
2. Skate SF90 IP54	White A336W	-	-	-
	Black A336B			

*IP54 includes clear glass cover to aperture (frosted glass available on request)
Control gear is remote. Integrated Control Gear options are available - contact us for details.



Variant	Finish	Cut-out	Tilt	Rotate
5. Skate SF102	White <i>A337W</i>	-	-	-
	Black <i>A337B</i>			
6. Skate SF102 IP54	White <i>A338W</i>	-	-	-
	Black <i>A338B</i>			

*IP54 includes clear glass cover to aperture (frosted glass available on request)
Control gear is remote. Integrated Control Gear options are available - contact us for details.