

General

|                |                                      |
|----------------|--------------------------------------|
| Type           | Fixed Downlight                      |
| Mounting       | Ceiling Surface                      |
| IP-Rating      | IP54                                 |
| Construction   | Diecast Aluminium                    |
| Operating Temp | -10°c to +40°c                       |
| Protection     | Class 2                              |
| Certification  | CE (EN 60598-1)                      |
| Warranty       | 5 years (refer to warranty document) |



Fixture is shown with Frosted Glass - a Clear Glass option is also available - see Specification > Finish

LED Engine

|                 |                                  |        |         |
|-----------------|----------------------------------|--------|---------|
| Power Output    | 8.9w                             |        |         |
| CCT             | 2700k                            | 3000k  | 4000k   |
| *Lumen Output   | 960 lm                           | 960 lm | 1072 lm |
| CRI             | 80 (90 on request)               |        |         |
| Optics          | 12° / 24° / 38° (60° on request) |        |         |
| Lifetime        | 50,000h (B80, L10)               |        |         |
| Control Gear    | Remote Driver                    |        |         |
| Drive Current   | 500mA (max)                      |        |         |
| Forward Voltage | 17.8v                            |        |         |

Specification

Order Code:



Finish

|                       |               |
|-----------------------|---------------|
| White (Clear Glass)   | <b>A336WC</b> |
| White (Frosted Glass) | <b>A336WF</b> |
| Black (Clear Glass)   | <b>A336BC</b> |
| Black (Frosted Glass) | <b>A336BF</b> |

LED Engine

|                  |                |
|------------------|----------------|
| 2700k / 12° beam | <b>.827.12</b> |
| 2700k / 24° beam | <b>.827.24</b> |
| 2700k / 38° beam | <b>.827.38</b> |
| 3000k / 12° beam | <b>.830.12</b> |
| 3000k / 24° beam | <b>.830.24</b> |
| 3000k / 38° beam | <b>.830.38</b> |
| 4000k / 12° beam | <b>.840.12</b> |
| 4000k / 24° beam | <b>.840.24</b> |
| 4000k / 38° beam | <b>.840.38</b> |

Lamp

|                  |            |
|------------------|------------|
| GU10 / not incl. | <b>.10</b> |
| MR16 / not incl. | <b>.16</b> |

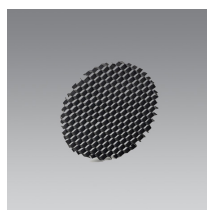
Control Gear (LED Engine only)

|           |           |
|-----------|-----------|
| Phase-cut | <b>.P</b> |
| 1-10v     | <b>.A</b> |
| DALI      | <b>.D</b> |
| Switching | <b>.S</b> |
| *None     | <b>.N</b> |

Ordering Info:

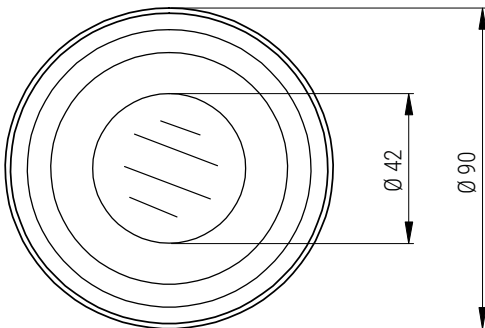
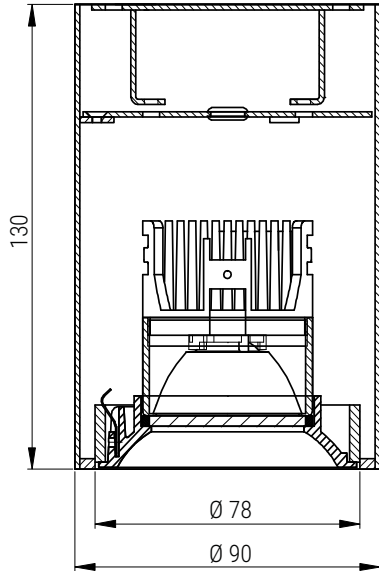
1. LED Engine example: **A336WF.827.38.P**
2. Lamp example: **A336BF.10**
3. Lamps: not included as standard but can be supplied on request - contact us for details
4. \*None: Where Control Gear is not required standard warranty terms will not apply (see warranty document)
5. Add-ons: Include Add-on Code(s) after Order Code

Add-ons



Honeycomb Filter / **.HC**

Technical Drawings (mm)



**LED Notes**

- 1.\*Lumen Output - for fixtures with a recessed baffle / snoot / frosted lens the lumen output may be lower than the stated figures - contact us for the latest .ies file(s) to ensure accuracy of data
2. LED Engine / LED COB use only 3-step MacAdam Ellipse LEDs, tested @ 25°C
3. Control Gear (by others) is subject to both specification and availability
4. LED Engine / LED COB - Lumen output is ±7% / CCT tolerance is ±150k
5. Operating Voltage: 220 - 240v, 50/60 Hz
6. Subject to technical changes without notice

**Fixture Notes**

1. GU10/MR16 Lamps - Fixture height may vary according to the sizes stated by the respective Lamp manufacturer
2. Technical Drawings - tolerance of ± 1mm applies to all stated dimensions
3. Suitable for Plasterboard Ceilings (thickness: 9mm - 30mm), unless stated otherwise
4. Custom RAL finishes are available on request (may be subject to MOQ)
5. Standard finishes are Powder-coated White (RAL 9003) and Black (RAL 9005)
6. For Panel (MDF, etc) and Concrete applications pls contact us with details of the Project requirements