

General

Type	Fixed Downlight
Mounting	Ceiling Recessed
IP-Rating	IP20
Construction	Diecast Aluminium
Operating Temp	-10°c to +40°c
Protection	Class 2
Certification	CE (EN 60598-1)
Warranty	5 years (refer to warranty document)



LED COB @ 3000k

Power Output	12.2w
Beam	18° 23° 36°
*Lumen Output	1321 lm 1360 lm 1372 lm
CRI	80 (90 on request)
Lifetime	50,000h (B80, L10)
Control Gear	Remote Driver
Drive Current	350mA
Forward Voltage	35v

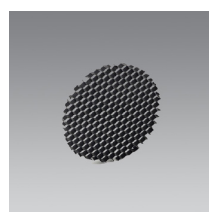
2700k / 4000k - data on request

Specification

Order Code:

①	→	②	→	③	→	
Finish		LED COB		Control Gear		
White/Black Reflector	A380WBR	2700k / 18° beam	.827.18	Phase-cut	.P	Ordering Info: 1. Example: A380WBR.827.36.P 2. *None: Where Control Gear is not required standard warranty terms will not apply (see warranty document) 3. Add-ons: Include Add-on Code(s) after Order Code - more than one Add-on can be specified
White/Polished Reflector	A380WPR	2700k / 23° beam	.827.23	1-10v	.A	
White/Satin Reflector	A380WSR	2700k / 36° beam	.827.36	DALI	.D	
White/Copper Reflector	A380WCR	3000k / 18° beam	.830.18	Switching	.S	
Black/Black Reflector	A380BBR	3000k / 23° beam	.830.23	*None	.N	
Black/Polished Reflector	A380BPR	3000k / 36° beam	.830.36			
Black/Satin Reflector	A380BSR	4000k / 18° beam	.840.18			
Black/Copper Reflector	A380BCR	4000k / 23° beam	.840.23			
		4000k / 36° beam	.840.36			

Add-ons

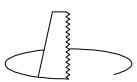
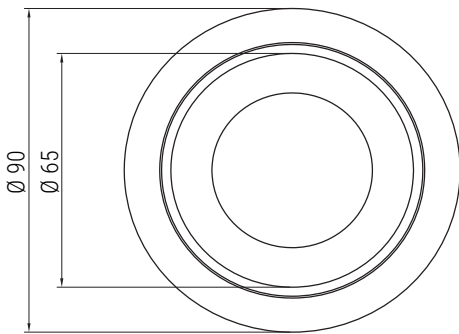
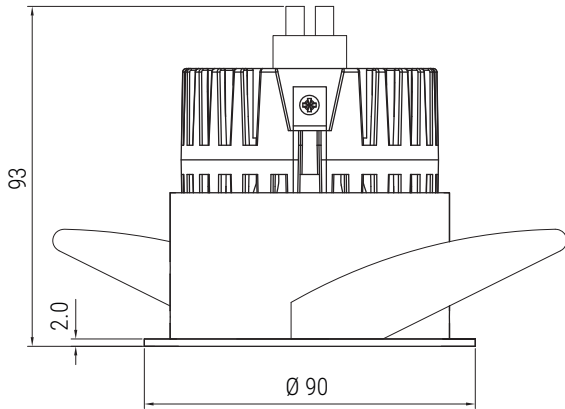


Honeycomb Filter / **.HC**



Frosted Lens / **.FL**

Technical Drawings (mm)



Cut-out = Ø 83

LED Notes

- 1.*Lumen Output - for fixtures with a recessed baffle / snoot / frosted lens the lumen output may be lower than the stated figures - contact us for the latest .ies file(s) to ensure accuracy of data
2. LED Engine / LED COB use only 3-step MacAdam Ellipse LEDs, tested @ 25°C
3. Control Gear (by others) is subject to both specification and availability
4. LED Engine / LED COB - Lumen output is ±7% / CCT tolerance is ±150k
5. Operating Voltage: 220 - 240v, 50/60 Hz
6. Subject to technical changes without notice

Fixture Notes

1. GU10/MR16 Lamps - Fixture height may vary according to the sizes stated by the respective Lamp manufacturer
2. Technical Drawings - tolerance of ± 1mm applies to all stated dimensions
3. Suitable for Plasterboard Ceilings (thickness: 9mm - 30mm), unless stated otherwise
4. Custom RAL finishes are available on request (may be subject to MOQ)
5. Standard finishes are Powder-coated White (RAL 9003) and Black (RAL 9005)
6. For Panel (MDF, etc) and Concrete applications pls contact us with details of the Project requirements